

TOOL TYPE: SHAPED TOOL (1 1/4" STATION)

WILSON TOOL NUMBER: 84-0516

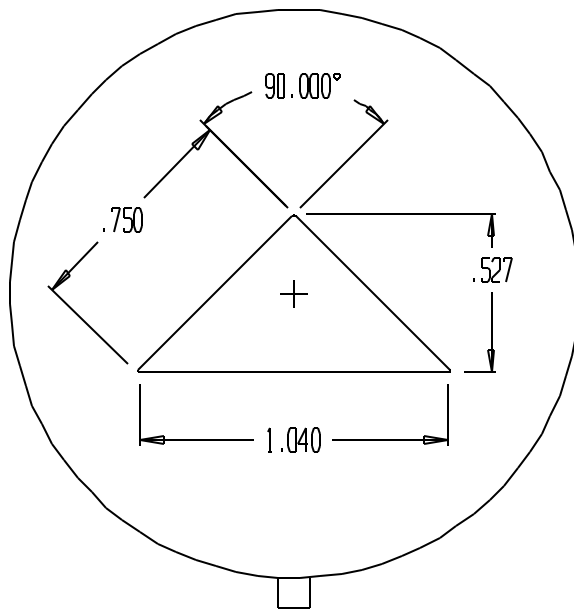
MATERIAL TYPE: ALUMINUM

MATERIAL THICKNESS: .060



ACCRA-FAB INC.

23201 E. APPLEWAY DRIVE
LIBERTY LAKE, WA 99019
PHONE: (509) 922-3300
FAX: (509) 892-5984



TOOL TYPE: SHAPED TOOL (1 1/4" STATION)

WILSON TOOL NUMBER: 86-7543

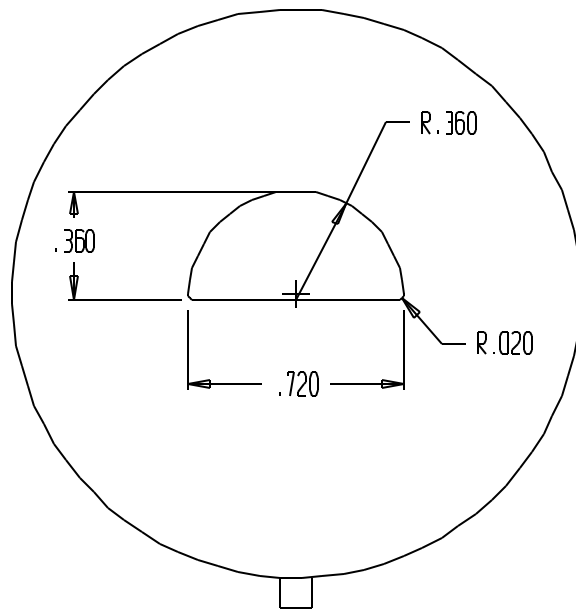
MATERIAL TYPE: ALL

MATERIAL THICKNESS: .ALL



ACCRA-FAB INC.

23201 E. APPLEWAY DRIVE
LIBERTY LAKE, WA 99019
PHONE: (509) 922-3300
FAX: (509) 892-5984



TOOL TYPE: SHAPED TOOL (1 1/4" STATION)

WILSON TOOL NUMBER: 86-7543

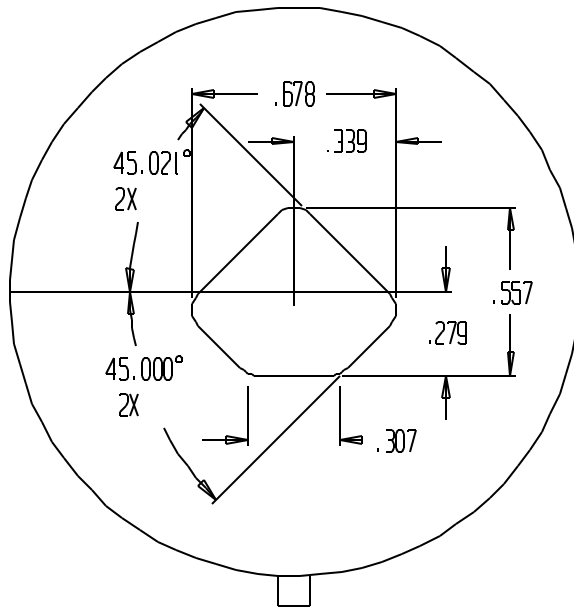
MATERIAL TYPE: ALL

MATERIAL THICKNESS: .ALL



ACCRA-FAB INC.

23201 E. APPLEWAY DRIVE
LIBERTY LAKE, WA 99019
PHONE: (509) 922-3300
FAX: (509) 892-5984



TOOL TYPE: SHAPED TOOL (1 1/4" STATION)

WILSON TOOL NUMBER: 87-0201

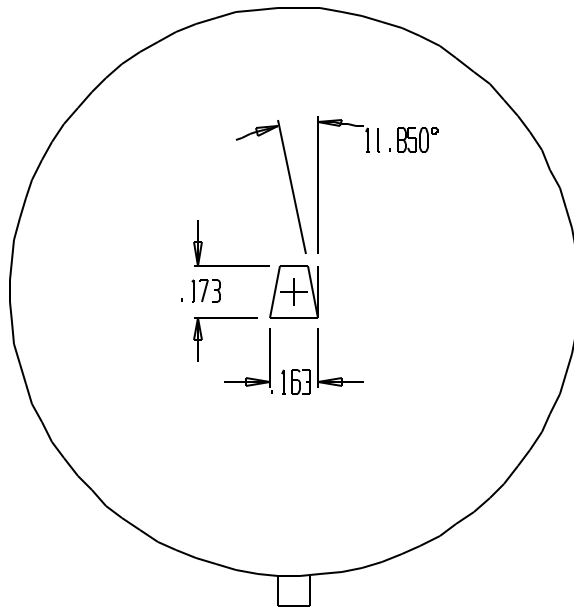
MATERIAL TYPE: ALUMINUM

MATERIAL THICKNESS: .060



ACCRA-FAB INC.

23201 E. APPLEWAY DRIVE
LIBERTY LAKE, WA 99019
PHONE: (509) 922-3300
FAX: (509) 892-5984



TOOL TYPE: SHAPED TOOL (1 1/4" STATION)

WILSON TOOL NUMBER: 94-9758

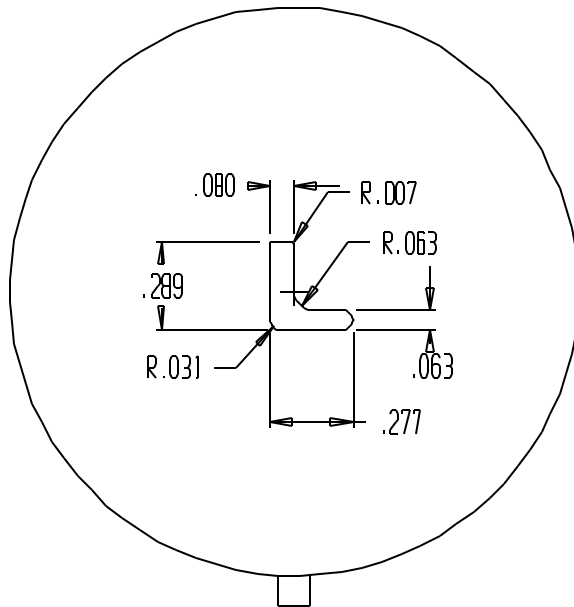
MATERIAL TYPE: ALL

MATERIAL THICKNESS: .ALL



ACCRA-FAB INC.

23201 E. APPLEWAY DRIVE
LIBERTY LAKE, WA 99019
PHONE: (509) 922-3300
FAX: (509) 892-5984



TOOL TYPE: SHAPED TOOL

WILSON TOOL NUMBER: 203-5538

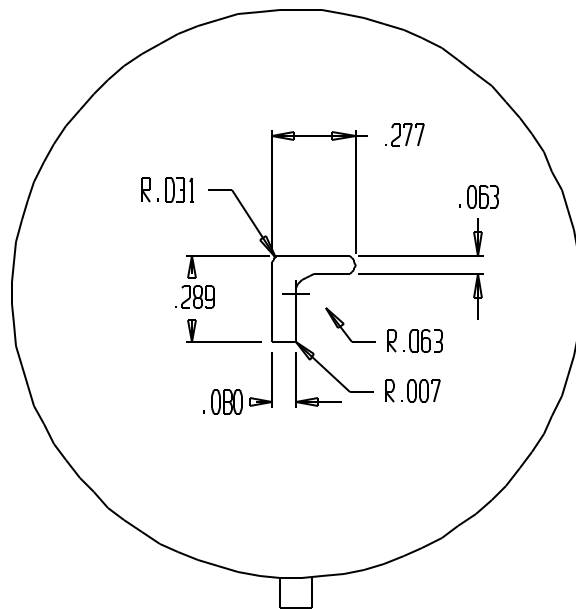
MATERIAL TYPE: ALL

MATERIAL THICKNESS: .020" - .060"



ACCRA-FAB INC.

23201 E. APPLEWAY DRIVE
LIBERTY LAKE, WA 99019
PHONE: (509) 922-3300
FAX: (509) 892-5984



TOOL TYPE: SHAPED TOOL

WILSON TOOL NUMBER: 203-5539

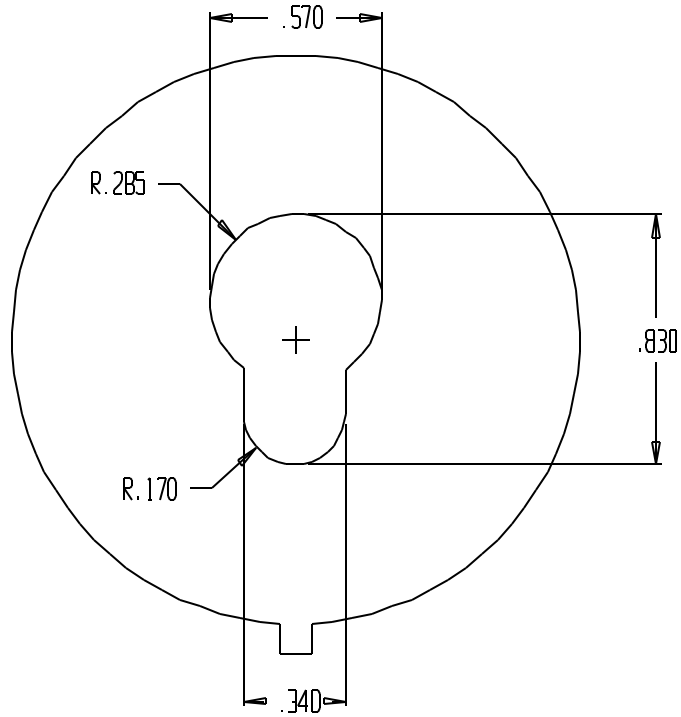
MATERIAL TYPE: ALL

MATERIAL THICKNESS: .020" - .060"



ACCRA-FAB INC.

23201 E. APPLEWAY DRIVE
LIBERTY LAKE, WA 99019
PHONE: (509) 922-3300
FAX: (509) 892-5984



TOOL TYPE: SHAPED TOOL

WILSON TOOL NUMBER: 83-2909

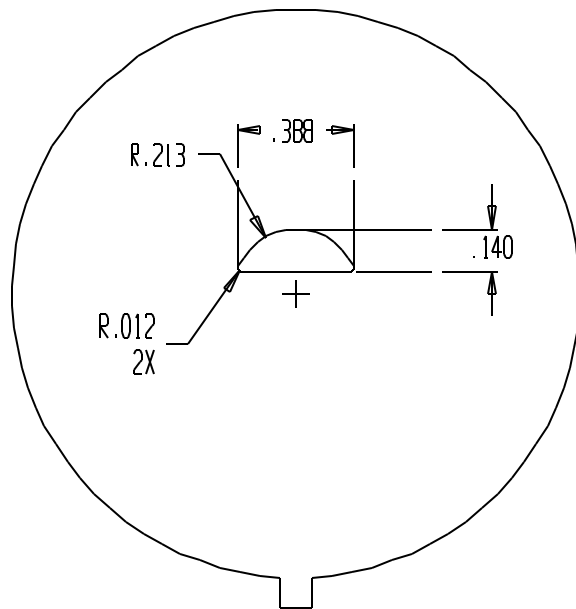
MATERIAL TYPE: ALL

MATERIAL THICKNESS: ALL



ACCRA-FAB INC.

23201 E. APPLEWAY DRIVE
LIBERTY LAKE, WA 99019
PHONE: (509) 922-3300
FAX: (509) 892-5984



TOOL TYPE: SHAPED TOOL

WILSON TOOL NUMBER: 86-7544

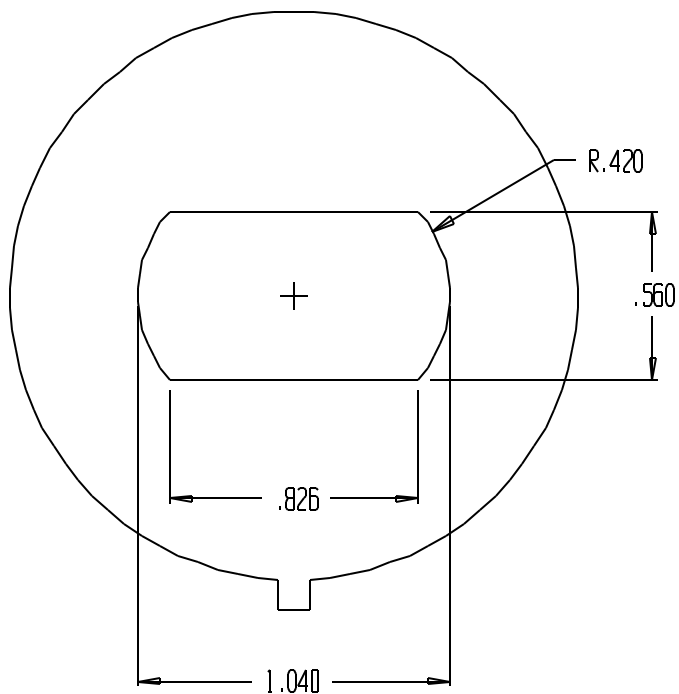
MATERIAL TYPE: ALL

MATERIAL THICKNESS: ALL



ACCRA-FAB INC.

23201 E. APPLEWAY DRIVE
LIBERTY LAKE, WA 99019
PHONE: (509) 922-3300
FAX: (509) 892-5984



TOOL TYPE: SHAPED TOOL

WILSON TOOL NUMBER: 87-4276

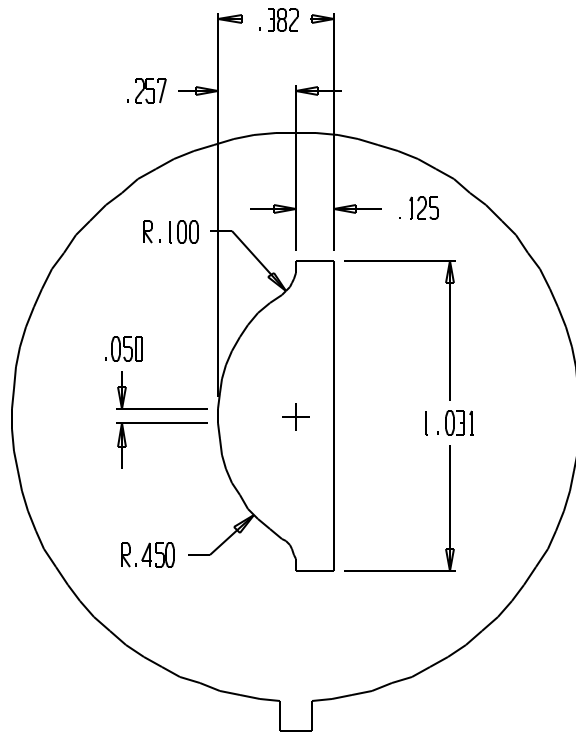
MATERIAL TYPE: ALL

MATERIAL THICKNESS: ALL



ACCRA-FAB INC.

23201 E. APPLEWAY DRIVE
LIBERTY LAKE, WA 99019
PHONE: (509) 922-3300
FAX: (509) 892-5984



TOOL TYPE: SHAPED TOOL

WILSON TOOL NUMBER: 88-1893

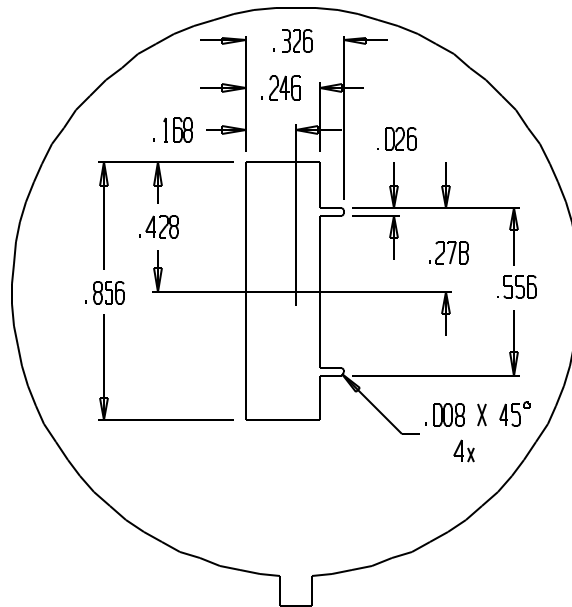
MATERIAL TYPE: ALL

MATERIAL THICKNESS: ALL



ACCRA-FAB INC.

23201 E. APPLEWAY DRIVE
LIBERTY LAKE, WA 99019
PHONE: (509) 922-3300
FAX: (509) 892-5984



TOOL TYPE: SHAPED TOOL

WILSON TOOL NUMBER: 88-2518

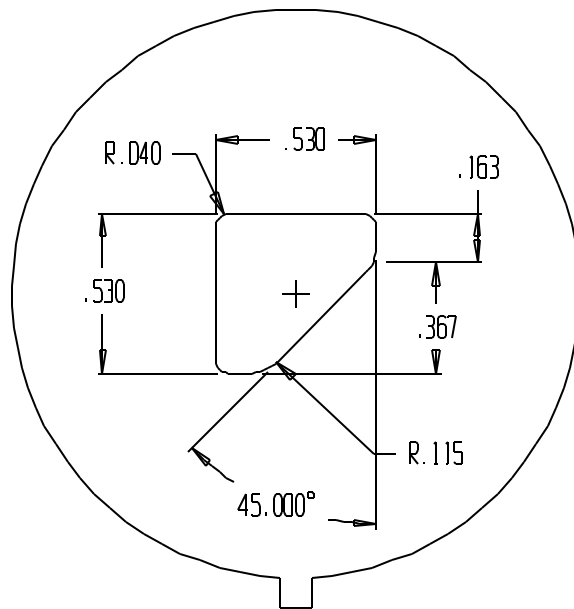
MATERIAL TYPE: .015

MATERIAL THICKNESS: TIN PLATE



ACCRA-FAB INC.

23201 E. APPLEWAY DRIVE
LIBERTY LAKE, WA 99019
PHONE: (509) 922-3300
FAX: (509) 892-5984



TOOL TYPE: SHAPED TOOL

WILSON TOOL NUMBER: 89-26B1

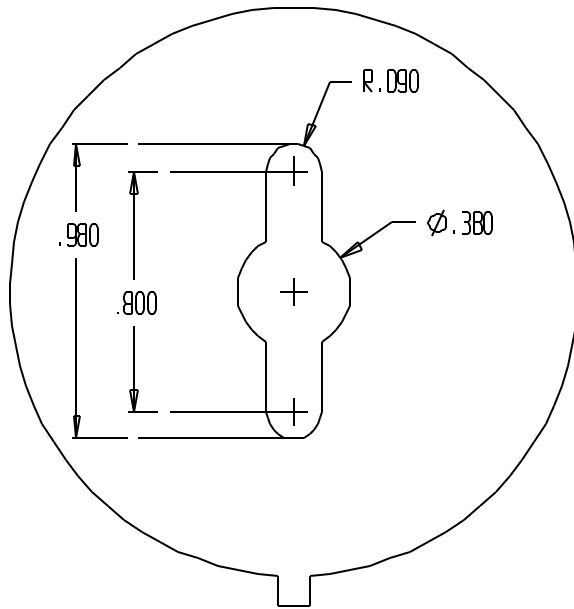
MATERIAL TYPE: ALL

MATERIAL THICKNESS: ALL



ACCRA-FAB INC.

23201 E. APPLEWAY DRIVE
LIBERTY LAKE, WA 99019
PHONE: (509) 922-3300
FAX: (509) 892-5984



TOOL TYPE: SHAPED TOOL

WILSON TOOL NUMBER: 90-5399

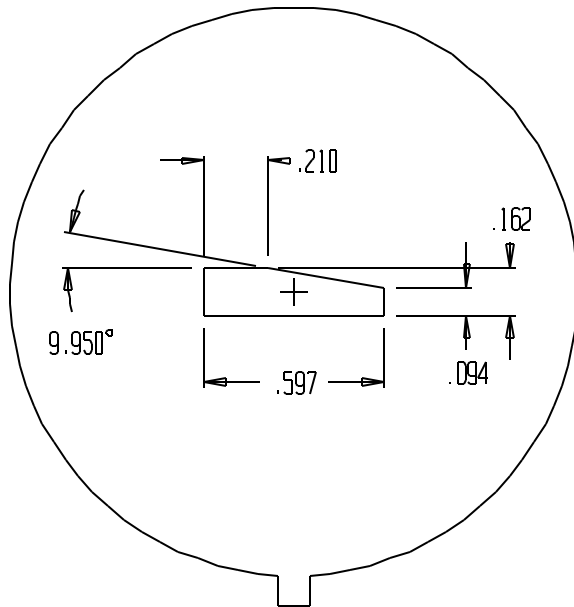
MATERIAL TYPE: ALL

MATERIAL THICKNESS: ALL



ACCRA-FAB INC.

23201 E. APPLEWAY DRIVE
LIBERTY LAKE, WA 99019
PHONE: (509) 922-3300
FAX: (509) 892-5984



TOOL TYPE: SHAPED TOOL

WILSON TOOL NUMBER: 94-3035

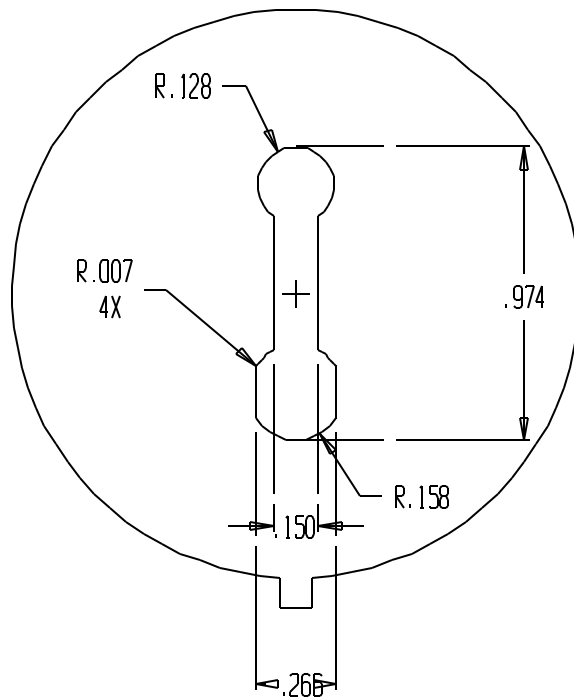
MATERIAL TYPE: ALL

MATERIAL THICKNESS: ALL



ACCRA-FAB INC.

23201 E. APPLEWAY DRIVE
LIBERTY LAKE, WA 99019
PHONE: (509) 922-3300
FAX: (509) 892-5984



TOOL TYPE: SHAPED TOOL

WILSON TOOL NUMBER: 94-8266

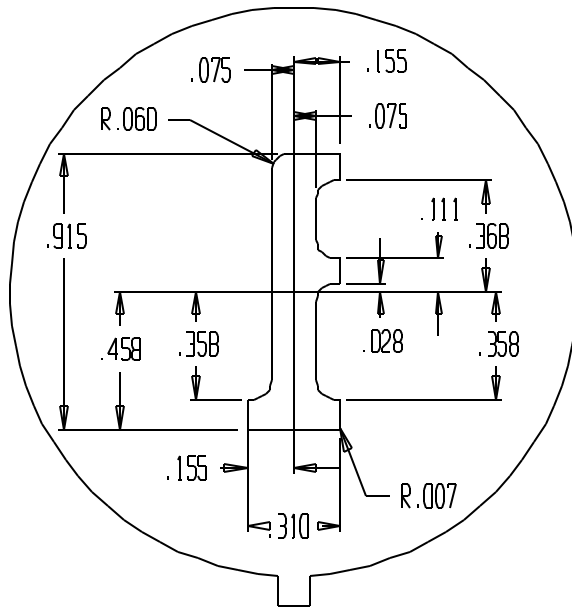
MATERIAL TYPE: ALL

MATERIAL THICKNESS: ALL



ACCRA-FAB INC.

23201 E. APPLEWAY DRIVE
LIBERTY LAKE, WA 99019
PHONE: (509) 922-3300
FAX: (509) 892-5984



TOOL TYPE: SHAPED TOOL

WILSON TOOL NUMBER: 94-9760

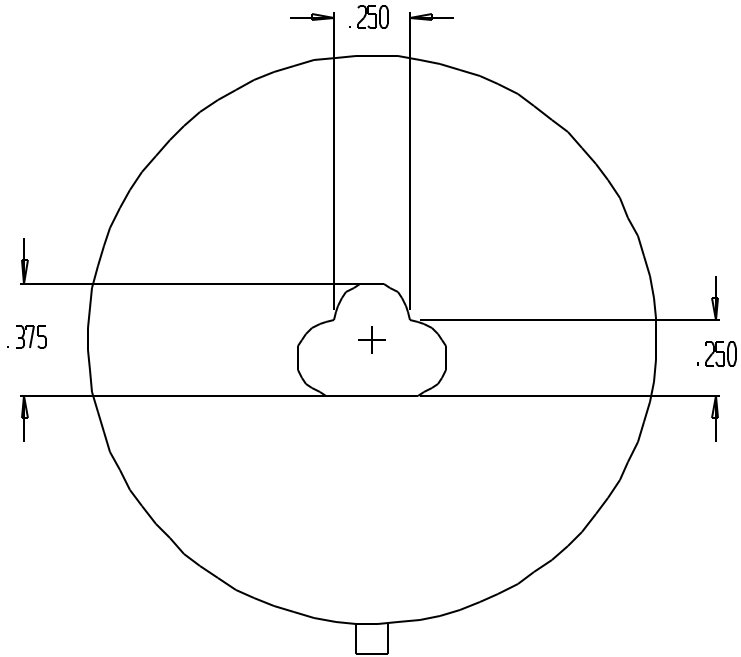
MATERIAL TYPE: .ALL

MATERIAL THICKNESS: ALL



ACCRA-FAB INC.

23201 E. APPLEWAY DRIVE
LIBERTY LAKE, WA 99019
PHONE: (509) 922-3300
FAX: (509) 892-5984



TOOL TYPE: SHAPED TOOL

WILSON TOOL NUMBER: 202-6871

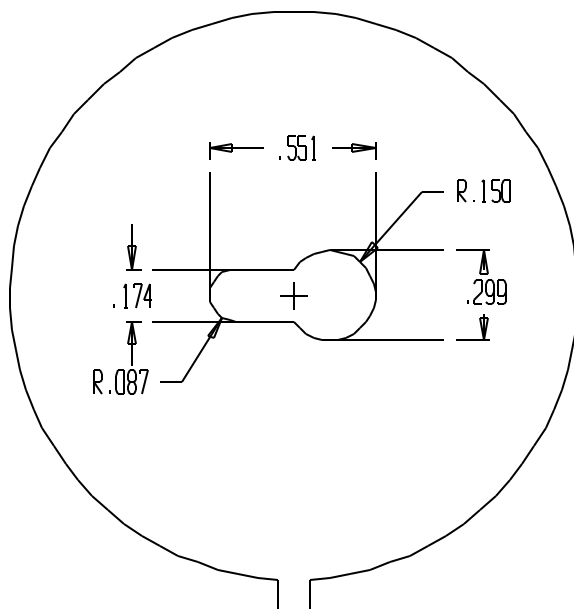
MATERIAL TYPE: ALL

MATERIAL THICKNESS: ALL



ACCRA-FAB INC.

23201 E. APPLEWAY DRIVE
LIBERTY LAKE, WA 99019
PHONE: (509) 922-3300
FAX: (509) 892-5984



TOOL TYPE: SHAPED TOOL

WILSON TOOL NUMBER: 203-6667

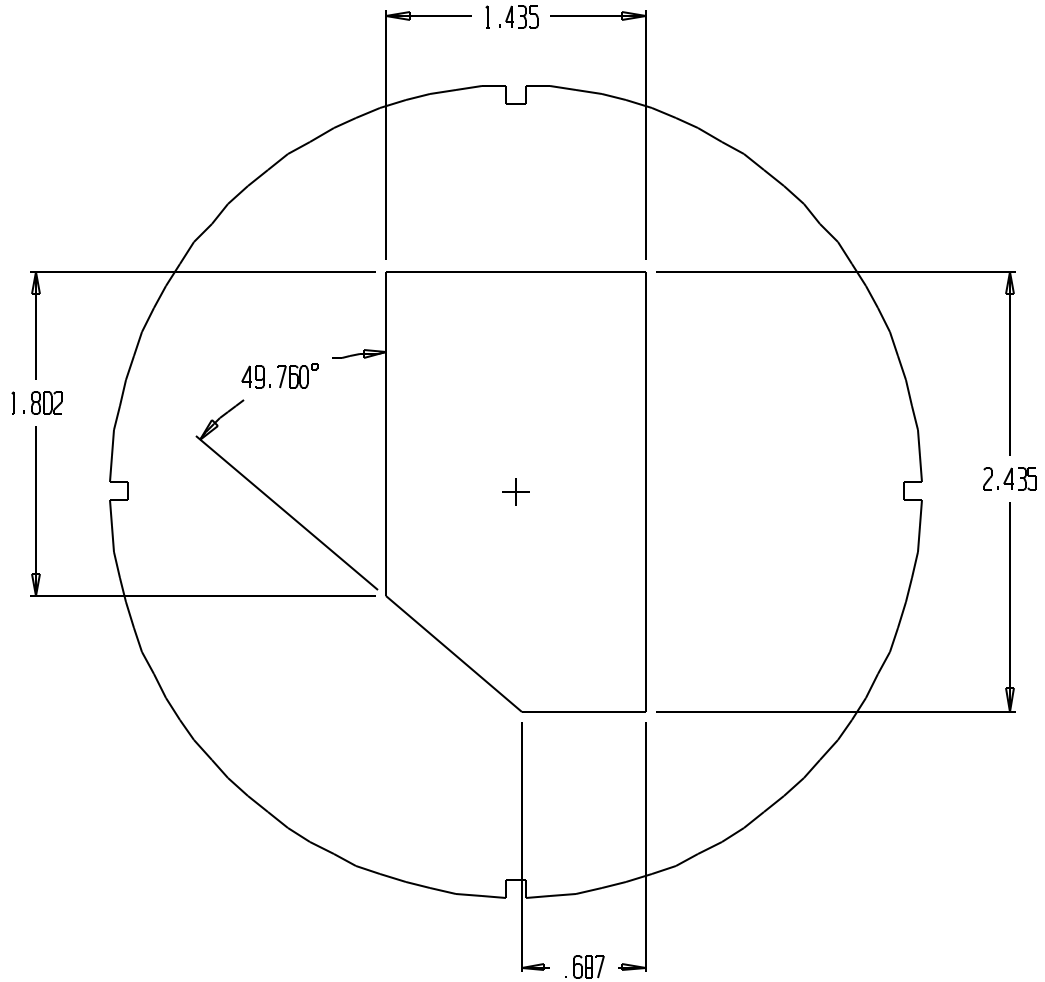
MATERIAL TYPE: ALL

MATERIAL THICKNESS: ALL



ACCRA-FAB INC.

23201 E. APPLEWAY DRIVE
LIBERTY LAKE, WA 99019
PHONE: (509) 922-3300
FAX: (509) 892-5984



TOOL TYPE: SHAPED TOOL

WILSON TOOL NUMBER: 203-6669

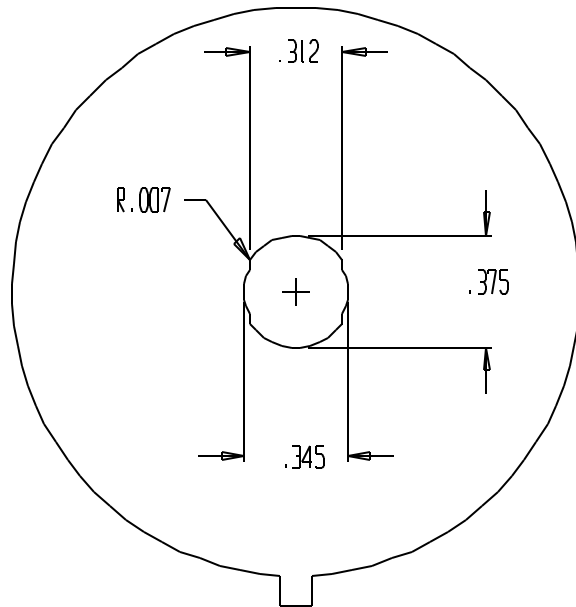
MATERIAL TYPE: ALL

MATERIAL THICKNESS: ALL



ACCRA-FAB INC.

23201 E. APPLEWAY DRIVE
LIBERTY LAKE, WA 99019
PHONE: (509) 922-3300
FAX: (509) 892-5984



TOOL TYPE: SHAPED TOOL

WILSON TOOL NUMBER: 255452-30

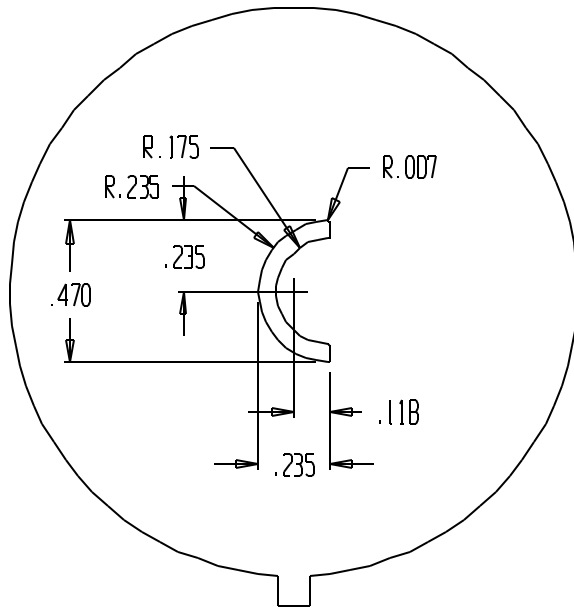
MATERIAL TYPE: ALL

MATERIAL THICKNESS: ALL



ACCRA-FAB INC.

23201 E. APPLEWAY DRIVE
LIBERTY LAKE, WA 99019
PHONE: (509) 922-3300
FAX: (509) 892-5984



TOOL TYPE: SHAPED TOOL

WILSON TOOL NUMBER: 310971-20

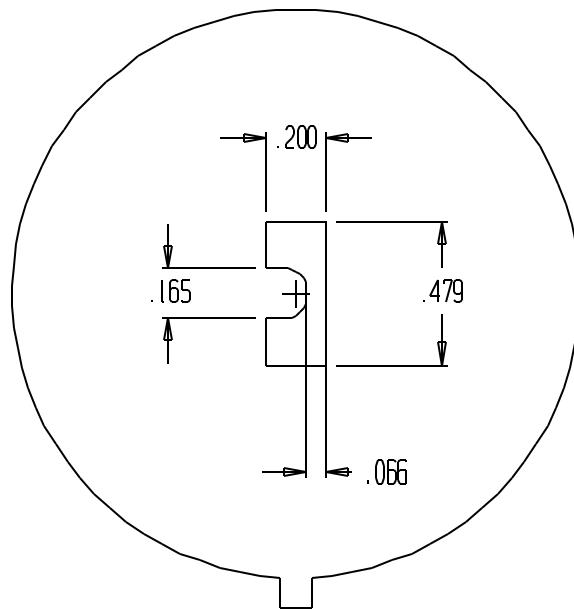
MATERIAL TYPE: ALL

MATERIAL THICKNESS: ALL



ACCRA-FAB INC.

23201 E. APPLEWAY DRIVE
LIBERTY LAKE, WA 99019
PHONE: (509) 922-3300
FAX: (509) 892-5984



TOOL TYPE: SHAPED TOOL

WILSON TOOL NUMBER: 136481-10

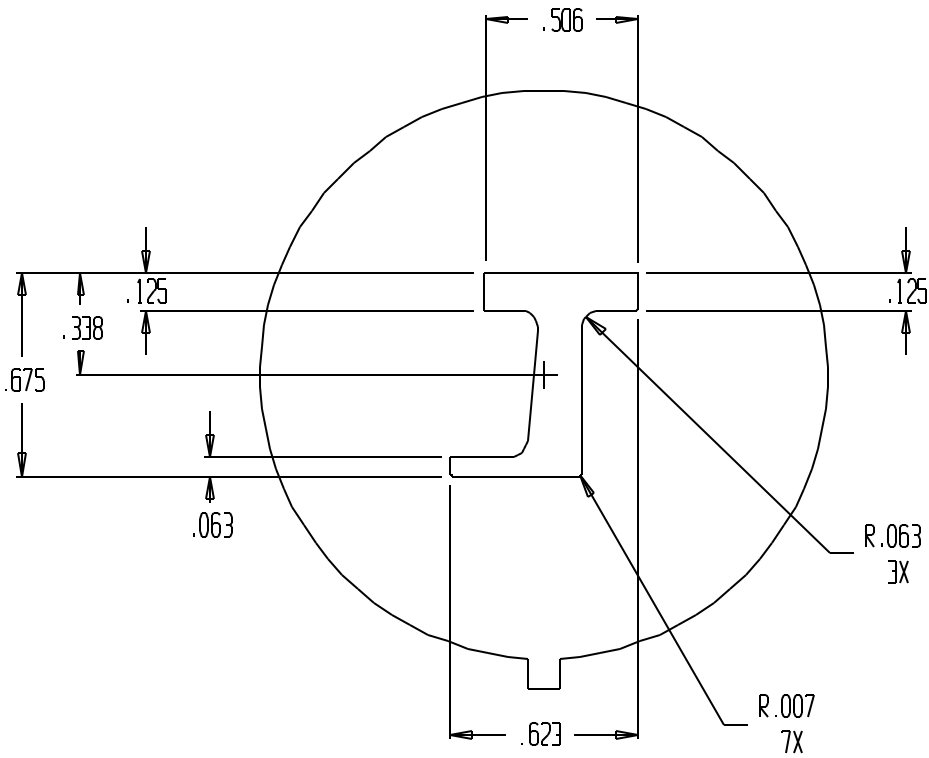
MATERIAL TYPE: ALUM

MATERIAL THICKNESS: .040" - .060"



ACCRA-FAB INC.

23201 E. APPLEWAY DRIVE
LIBERTY LAKE, WA 99019
PHONE: (509) 922-3300
FAX: (509) 892-5984



TOOL TYPE: SHAPED TOOL

WILSON TOOL NUMBER: (4739)-10

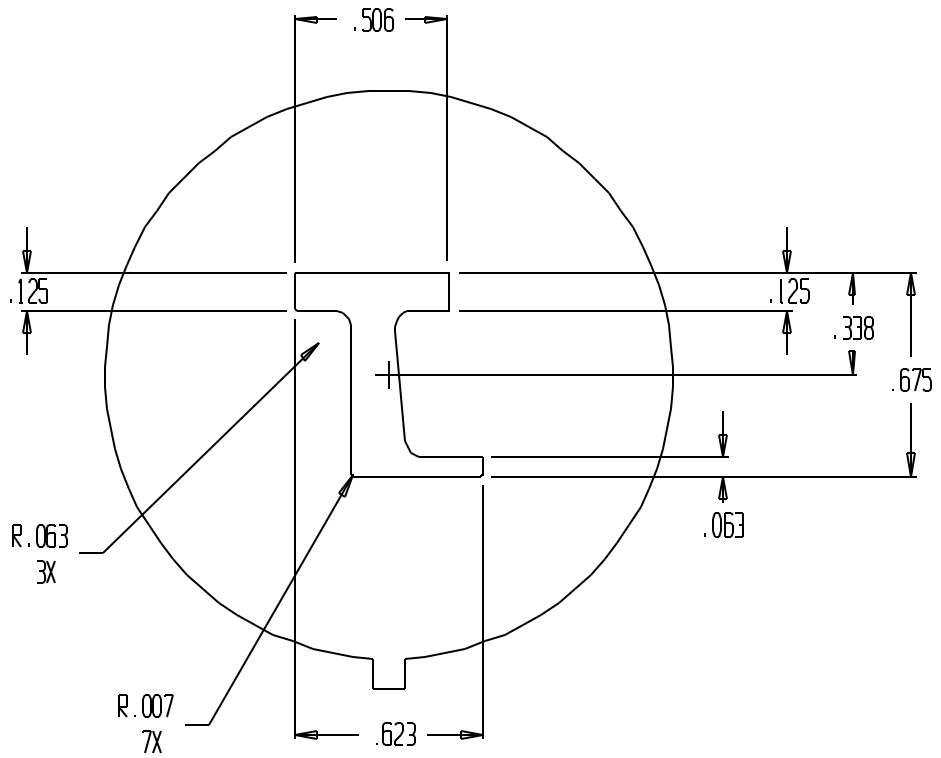
MATERIAL TYPE: ALUM

MATERIAL THICKNESS: .050



ACCRA-FAB INC.

23201 E. APPLEWAY DRIVE
LIBERTY LAKE, WA 99019
PHONE: (509) 922-3300
FAX: (509) 892-5984



TOOL TYPE: SHAPED TOOL

WILSON TOOL NUMBER: 147391-20

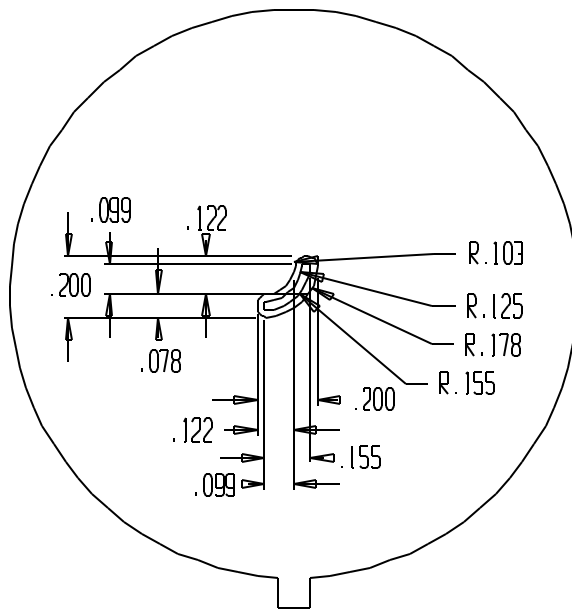
MATERIAL TYPE: ALUM

MATERIAL THICKNESS: .050



ACCRA-FAB INC.

23201 E. APPLEWAY DRIVE
LIBERTY LAKE, WA 99019
PHONE: (509) 922-3300
FAX: (509) 892-5984



TOOL TYPE: SHAPED TOOL

WILSON TOOL NUMBER: 310971-50

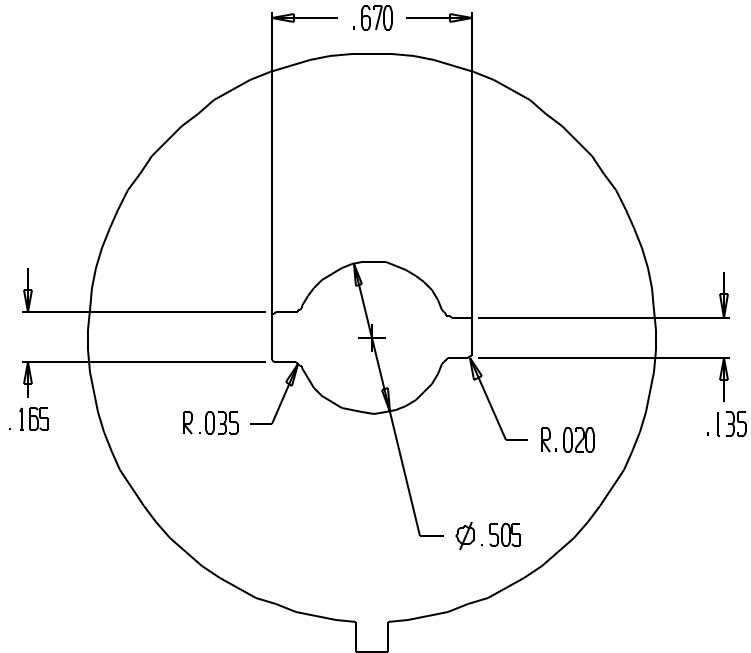
MATERIAL TYPE: CRS

MATERIAL THICKNESS: .030



ACCRA-FAB INC.

23201 E. APPLEWAY DRIVE
LIBERTY LAKE, WA 99019
PHONE: (509) 922-3300
FAX: (509) 892-5984



TOOL TYPE: SHAPED TOOL

WILSON TOOL NUMBER: 36618D-10

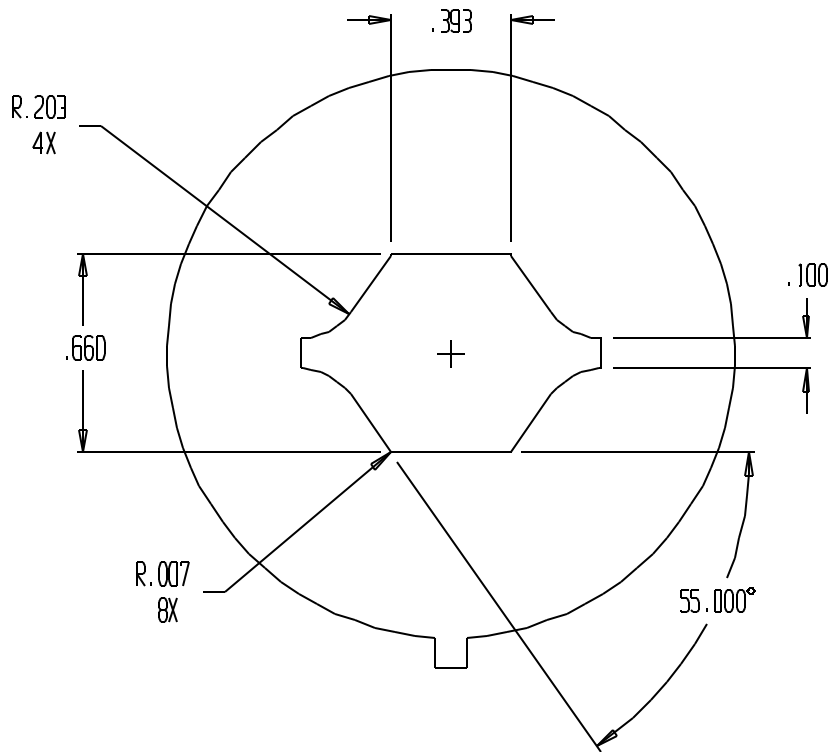
MATERIAL TYPE: ALUM

MATERIAL THICKNESS: .060



ACCRA-FAB INC.

23201 E. APPLEWAY DRIVE
LIBERTY LAKE, WA 99019
PHONE: (509) 922-3300
FAX: (509) 892-5984



TOOL TYPE: SHAPED TOOL

WILSON TOOL NUMBER: 36618D-10

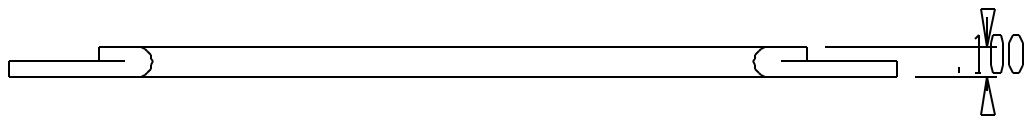
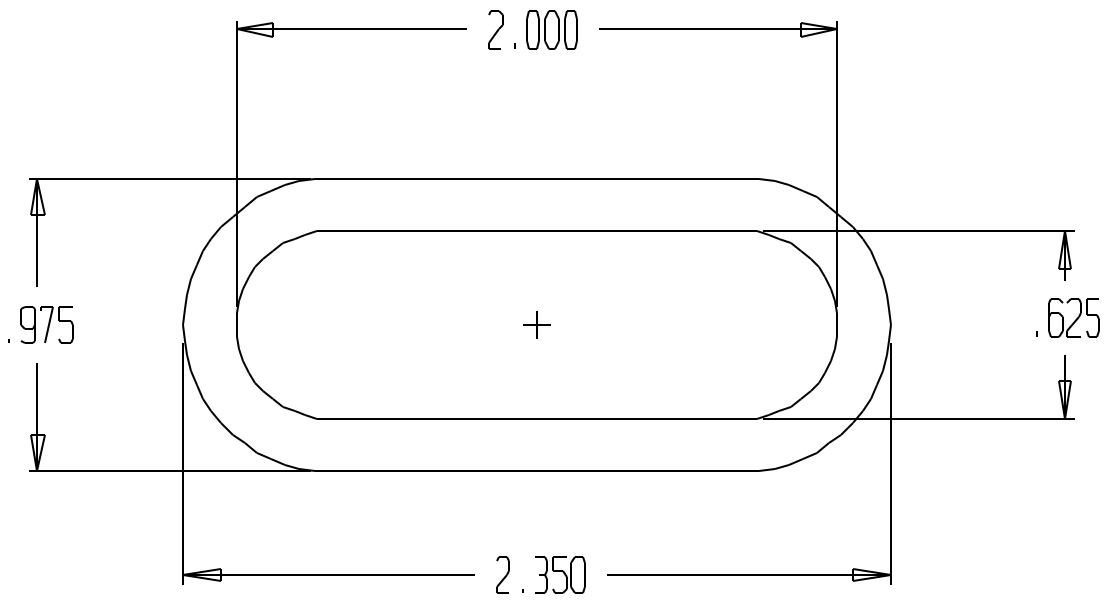
MATERIAL TYPE: ALUM

MATERIAL THICKNESS: .060



ACCRA-FAB INC.

23201 E. APPLEWAY DRIVE
LIBERTY LAKE, WA 99019
PHONE: (509) 922-3300
FAX: (509) 892-5984



TOOL TYPE: HEMED OBROUND

WILSON TOOL NUMBER: 132612-40

MATERIAL TYPE: ALUMINUM

MATERIAL THICKNESS: .050"



ACCRA-FAB INC.

23201 E. APPLEWAY DRIVE
LIBERTY LAKE, WA 99019
PHONE: (509) 922-3300
FAX: (509) 892-5984

