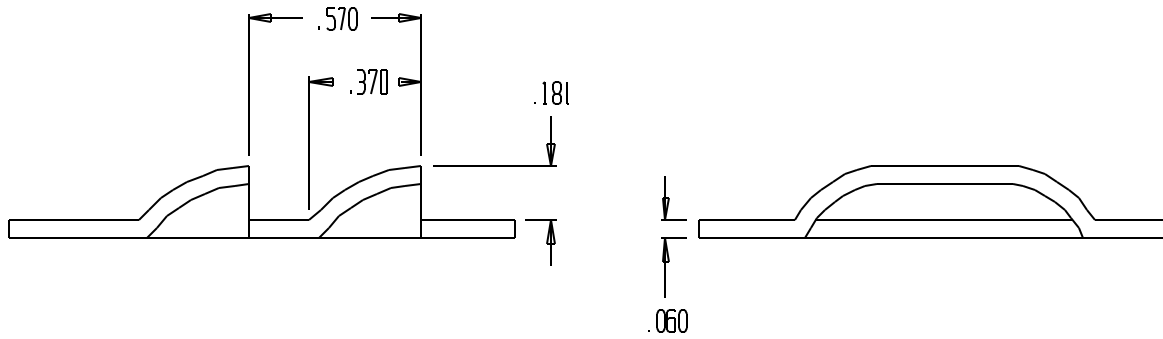
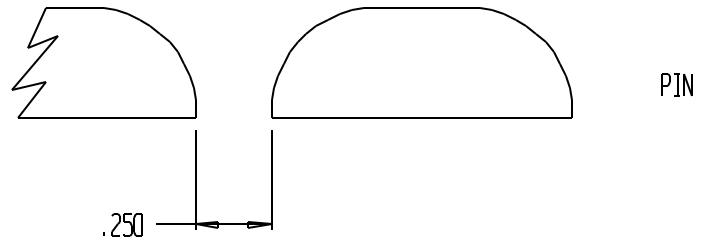


RELIEVED
SIDE



TOOL TYPE: F/U LOUVER (1 1/4" STATION)

WILSON TOOL NUMBER: 134225-10

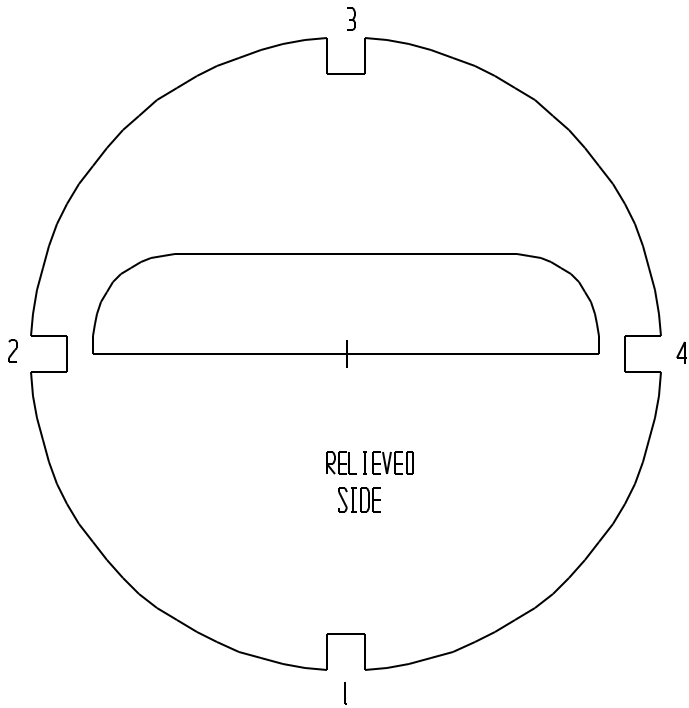
MATERIAL TYPE: CRS

MATERIAL THICKNESS: .060"

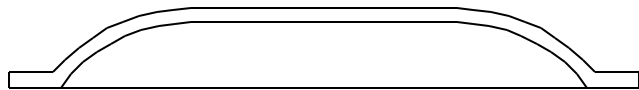
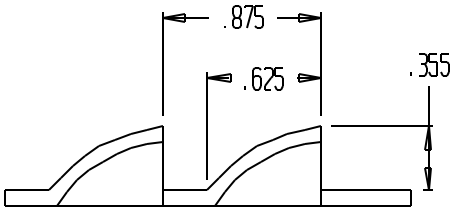


ACCRA-FAB INC.

23201 E. APPLEWAY DRIVE
LIBERTY LAKE, WA 99019
PHONE: (509) 922-3300
FAX: (509) 892-5984



FORM LENGTH OF
1 ST HIT = 3"



TOOL TYPE: FORM/UP LOUVER (3 1/2" STATION)

WILSON TOOL NUMBER: 83-8578

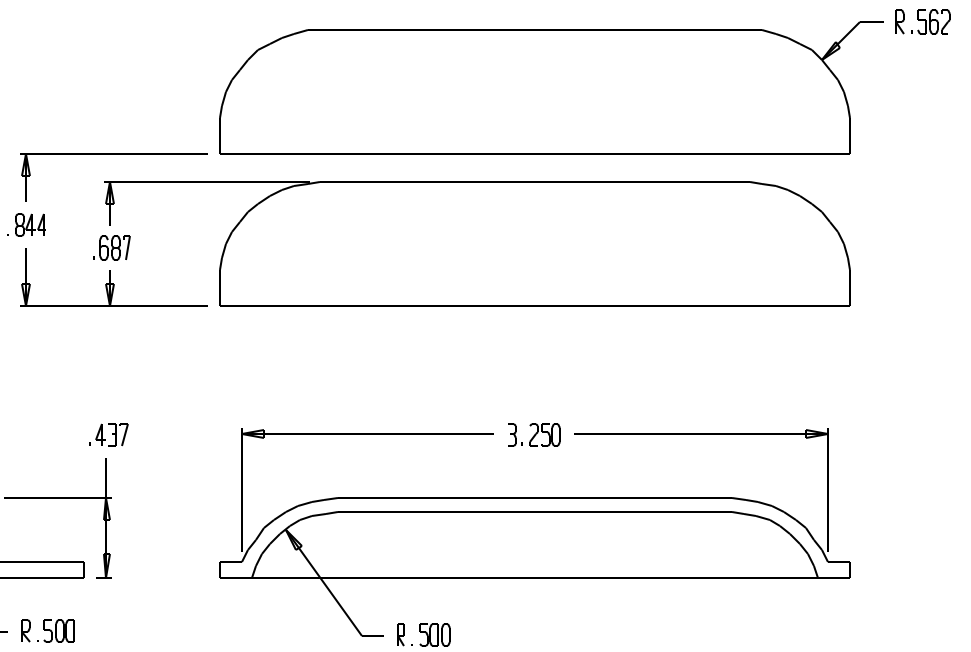
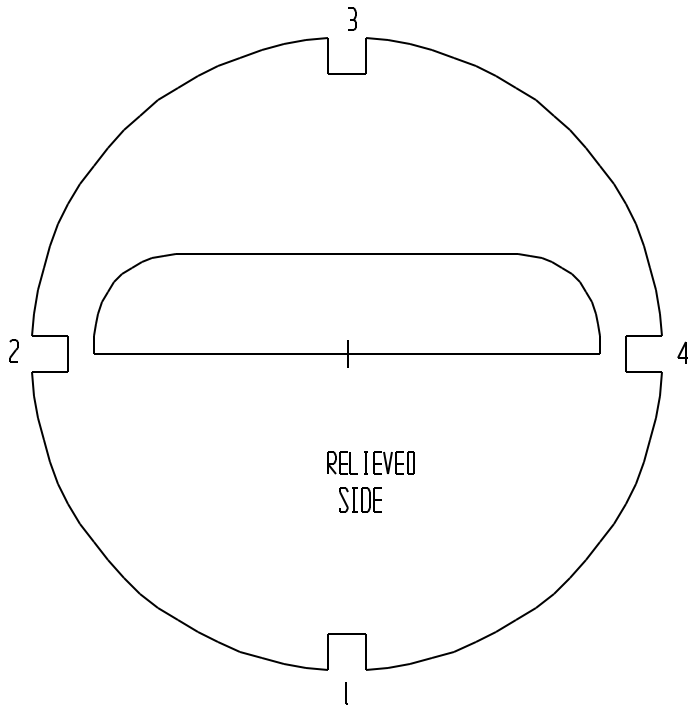
MATERIAL TYPE: ALUM

MATERIAL THICKNESS: .080"



ACCRA-FAB INC.

23201 E. APPLEWAY DRIVE
LIBERTY LAKE, WA 99019
PHONE: (509) 922-3300
FAX: (509) 892-5984



TOOL TYPE: FORM/UP LOUVER (3 1/2" STATION)

WILSON TOOL NUMBER: 84-4248

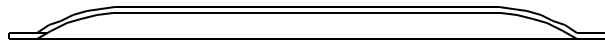
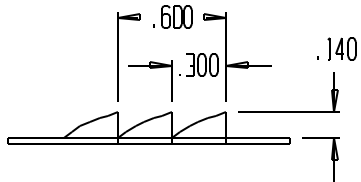
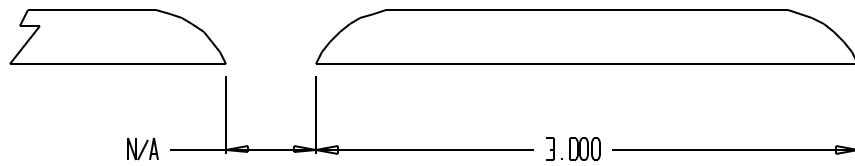
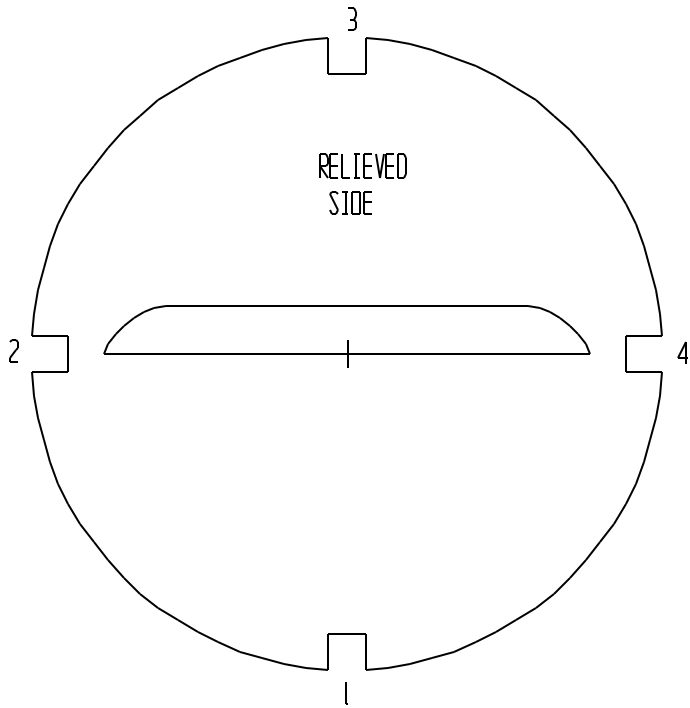
MATERIAL TYPE: ALUM

MATERIAL THICKNESS: .080"



ACCRA-FAB INC.

23201 E. APPLEWAY DRIVE
LIBERTY LAKE, WA 99019
PHONE: (509) 922-3300
FAX: (509) 892-5984



TOOL TYPE: FORM/UP LOUVER (3 1/2" STATION)

WILSON TOOL NUMBER: 215-3915

MATERIAL TYPE: ALUM

MATERIAL THICKNESS: .030"



ACCRA-FAB INC.

23201 E. APPLEWAY DRIVE
LIBERTY LAKE, WA 99019
PHONE: (509) 922-3300
FAX: (509) 892-5984