

TOOL TYPE: F/U LANCE (1 1/4" STATION)

WILSON TOOL NUMBER: 82-5577

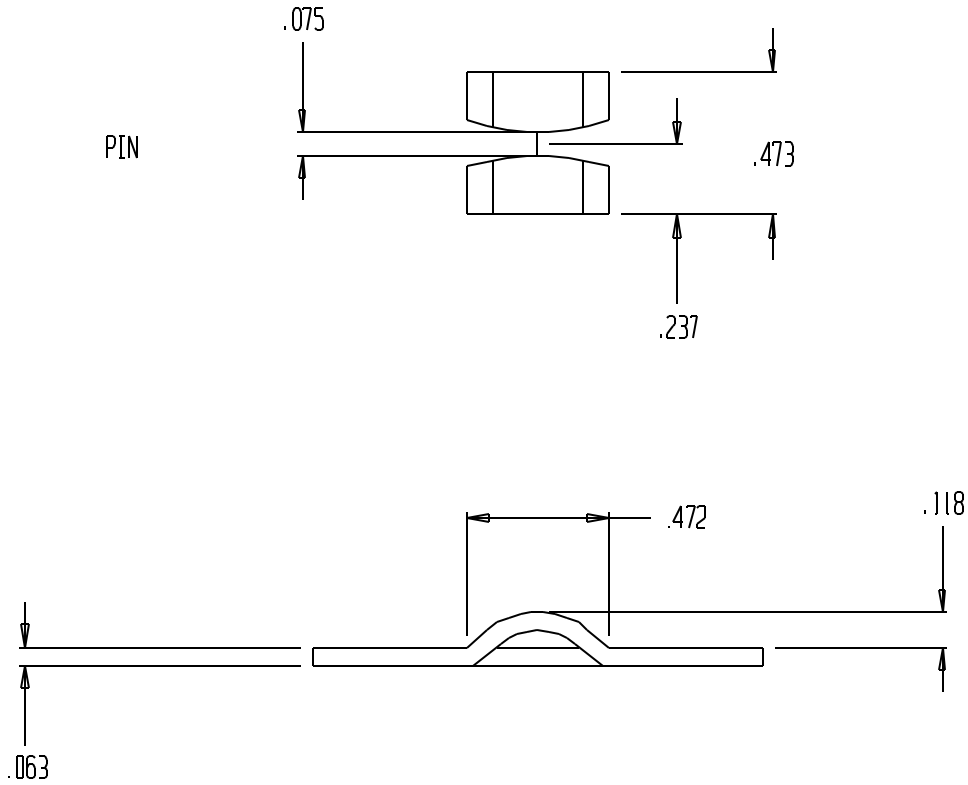
MATERIAL TYPE: CRS

MATERIAL THICKNESS: $.050'' - .075''$



ACCRA-FAB INC.

23201 E. APPLEWAY DRIVE
LIBERTY LAKE, WA 99019
PHONE: (509) 922-3300
FAX: (509) 892-5984



TOOL TYPE: F/U DOUBLE LANCE (1 1/4" STATION)

WILSON TOOL NUMBER: 202-6272

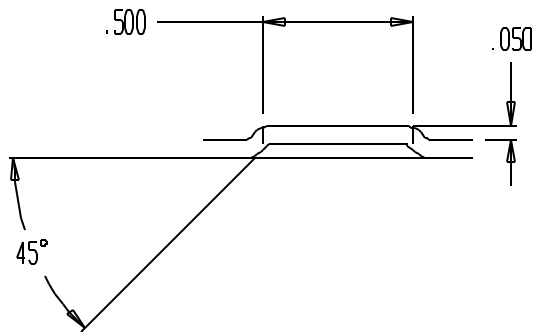
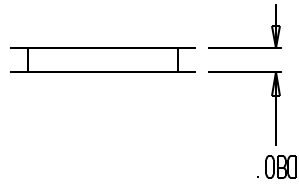
MATERIAL TYPE: ALUM

MATERIAL THICKNESS: .063"



ACCRA-FAB INC.

23201 E. APPLEWAY DRIVE
LIBERTY LAKE, WA 99019
PHONE: (509) 922-3300
FAX: (509) 892-5984



TOOL TYPE: F/U LANCE (1 1/4" STATION)

WILSON TOOL NUMBER: 86-7242

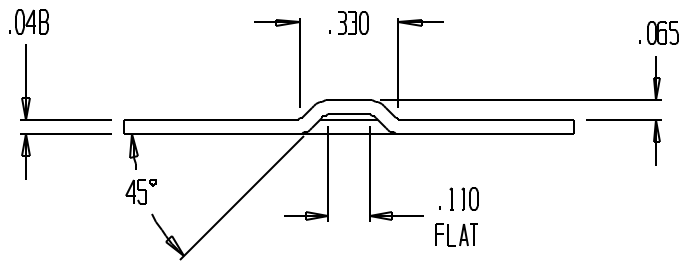
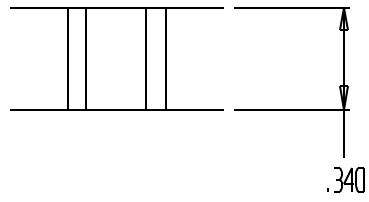
MATERIAL TYPE: CRS

MATERIAL THICKNESS: .060"



ACCRA-FAB INC.

23201 E. APPLEWAY DRIVE
LIBERTY LAKE, WA 99019
PHONE: (509) 922-3300
FAX: (509) 892-5984



TOOL TYPE: F/U LANCE (1 1/4" STATION)

WILSON TOOL NUMBER: 88-2520

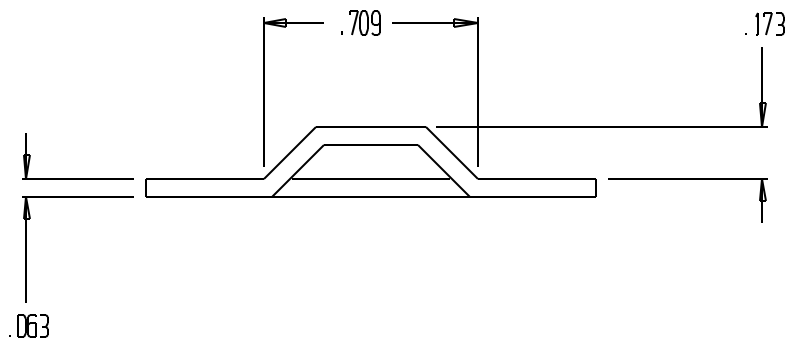
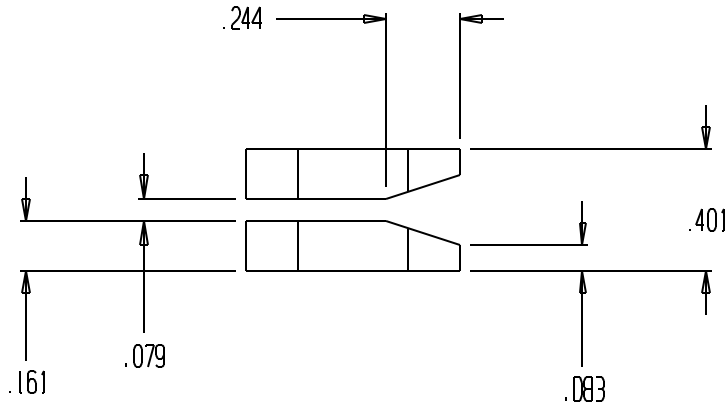
MATERIAL TYPE: CRS

MATERIAL THICKNESS: .048"



ACCRA-FAB INC.

23201 E. APPLEWAY DRIVE
LIBERTY LAKE, WA 99019
PHONE: (509) 922-3300
FAX: (509) 892-5984



TOOL TYPE: F/U DOUBLE LANCE (1 1/4" STATION)

WILSON TOOL NUMBER: 90-6848

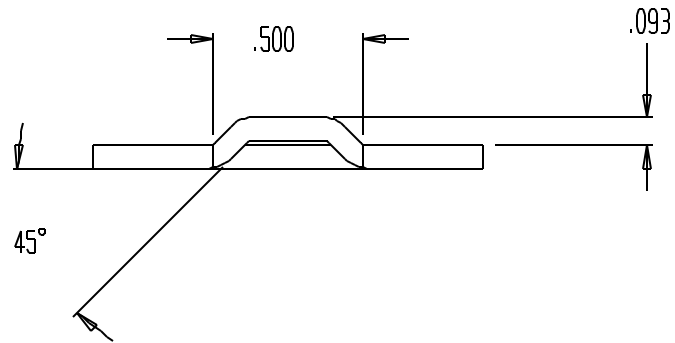
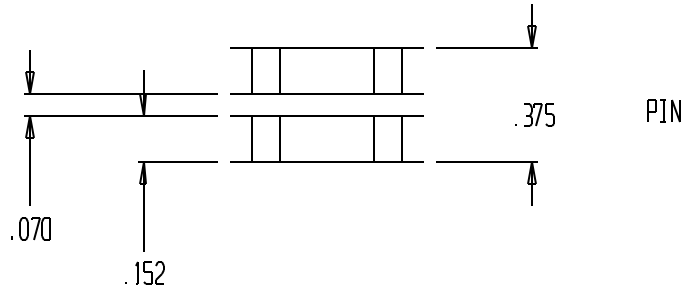
MATERIAL TYPE: ALUM

MATERIAL THICKNESS: .063"



ACCRA-FAB INC.

23201 E. APPLEWAY DRIVE
LIBERTY LAKE, WA 99019
PHONE: (509) 922-3300
FAX: (509) 892-5984



TOOL TYPE: F/U DOUBLE LANCE (1 1/4" STATION)

WILSON TOOL NUMBER: 90-9251

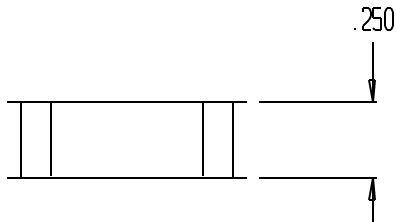
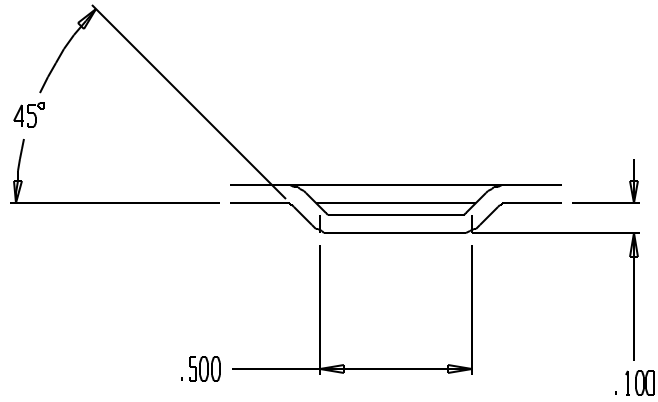
MATERIAL TYPE: ALUM

MATERIAL THICKNESS: .075"



ACCRA-FAB INC.

23201 E. APPLEWAY DRIVE
LIBERTY LAKE, WA 99019
PHONE: (509) 922-3300
FAX: (509) 892-5984



TOOL TYPE: F/DOWN LANCE (1 1/4" STATION)

WILSON TOOL NUMBER: 91-8037

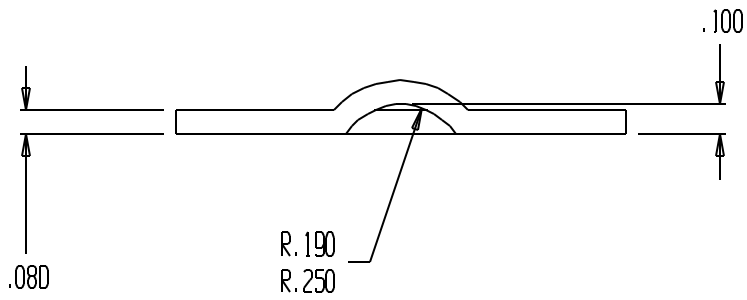
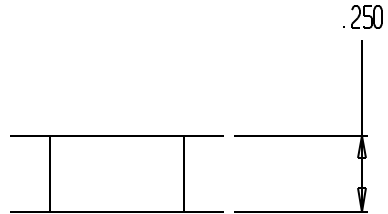
MATERIAL TYPE: ALUM

MATERIAL THICKNESS: .060"



ACCRA-FAB INC.

23201 E. APPLEWAY DRIVE
LIBERTY LAKE, WA 99019
PHONE: (509) 922-3300
FAX: (509) 892-5984



TOOL TYPE: F/U LANCE (1 1/4" STATION)

WILSON TOOL NUMBER: 91-8831

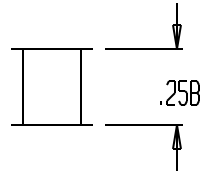
MATERIAL TYPE: ALUM

MATERIAL THICKNESS: .080"

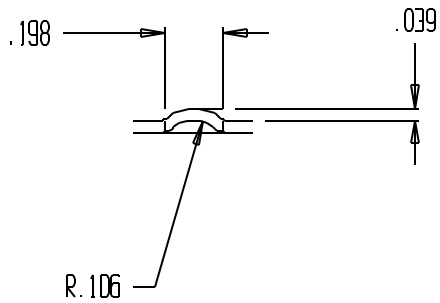


ACCRA-FAB INC.

23201 E. APPLEWAY DRIVE
LIBERTY LAKE, WA 99019
PHONE: (509) 922-3300
FAX: (509) 892-5984



PIN



TOOL TYPE: F/U LANCE (1 1/4" STATION)

WILSON TOOL NUMBER: 91-9300

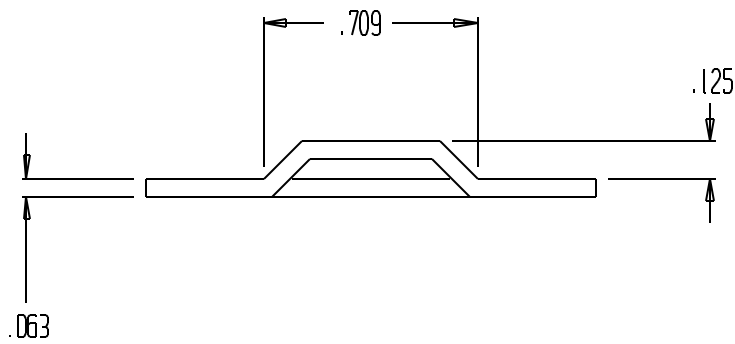
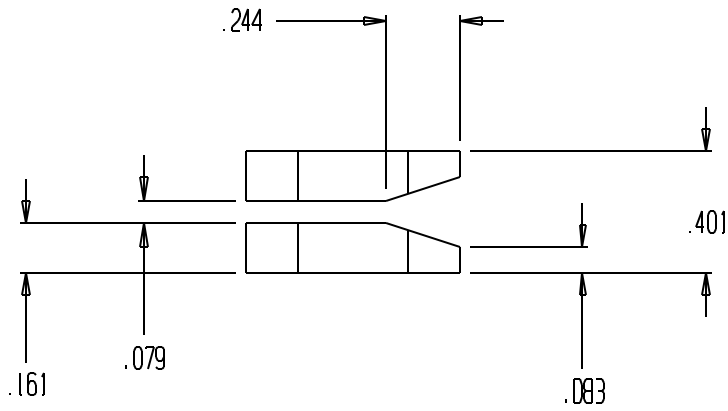
MATERIAL TYPE: ALUM

MATERIAL THICKNESS: .039"



ACCRA-FAB INC.

23201 E. APPLEWAY DRIVE
LIBERTY LAKE, WA 99019
PHONE: (509) 922-3300
FAX: (509) 892-5984



TOOL TYPE: F/U DOUBLE LANCE (1 1/4" STATION)

WILSON TOOL NUMBER: 200-4090

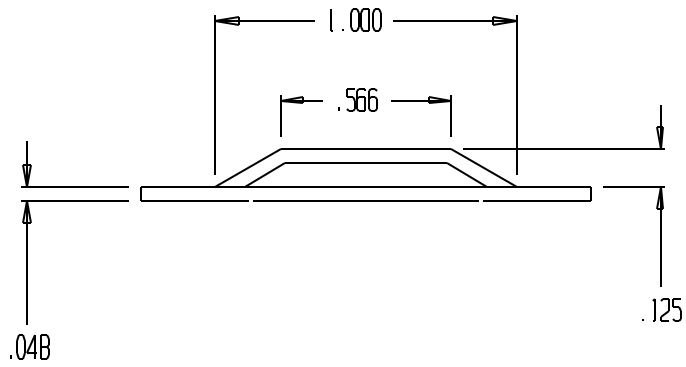
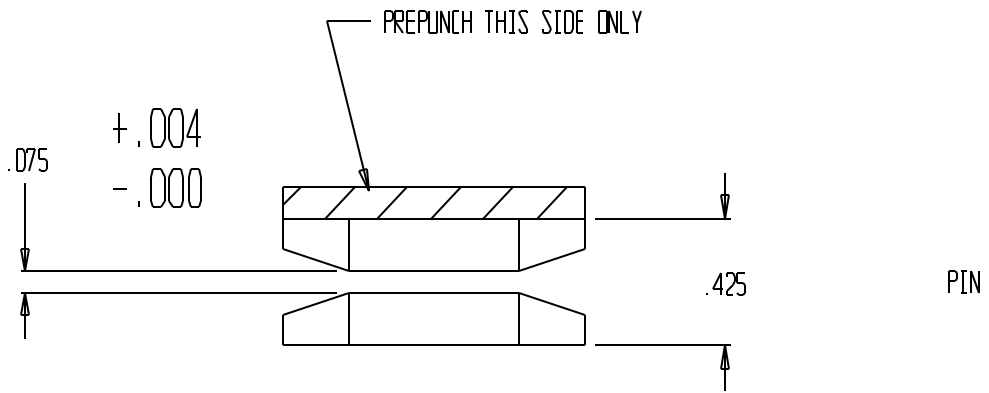
MATERIAL TYPE: ALUM

MATERIAL THICKNESS: .063"



ACCRA-FAB INC.

23201 E. APPLEWAY DRIVE
LIBERTY LAKE, WA 99019
PHONE: (509) 922-3300
FAX: (509) 892-5984



TOOL TYPE: F/U LANCE (1 1/4" STATION)

WILSON TOOL NUMBER: 200-8153

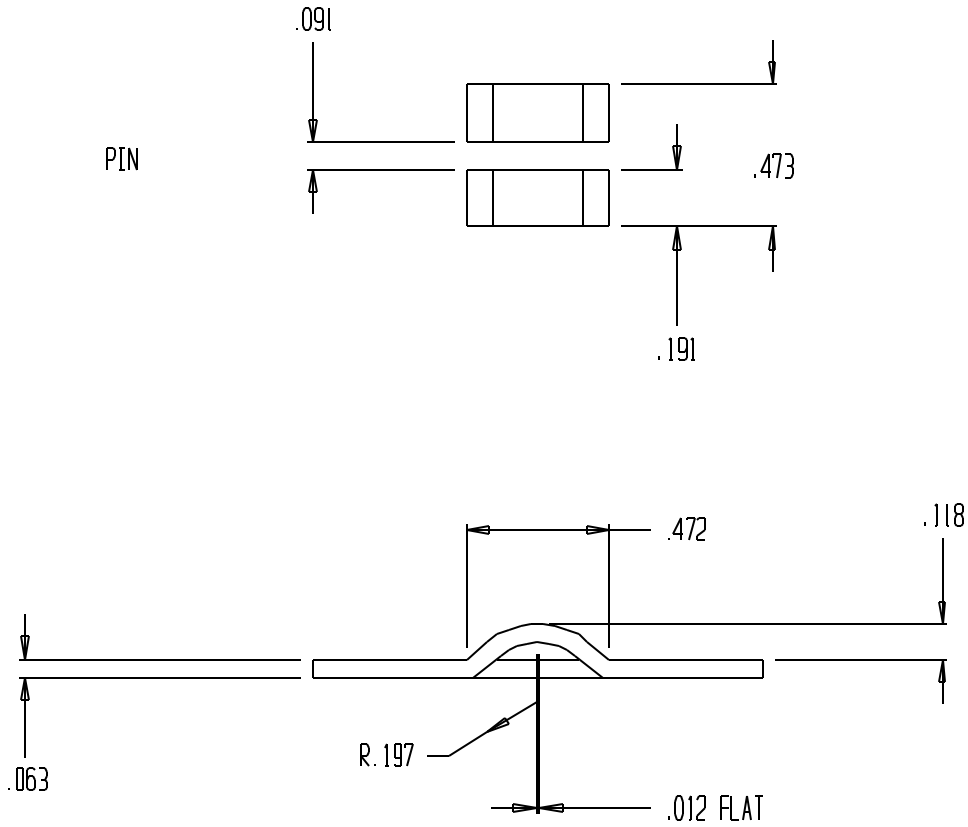
MATERIAL TYPE: CRS

MATERIAL THICKNESS: .050"



ACCRA-FAB INC.

23201 E. APPLEWAY DRIVE
LIBERTY LAKE, WA 99019
PHONE: (509) 922-3300
FAX: (509) 892-5984



TOOL TYPE: F/U DOUBLE LANCE (1 1/4" STATION)

WILSON TOOL NUMBER: 202-6040

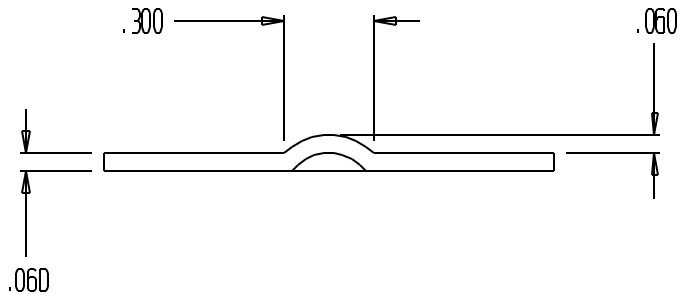
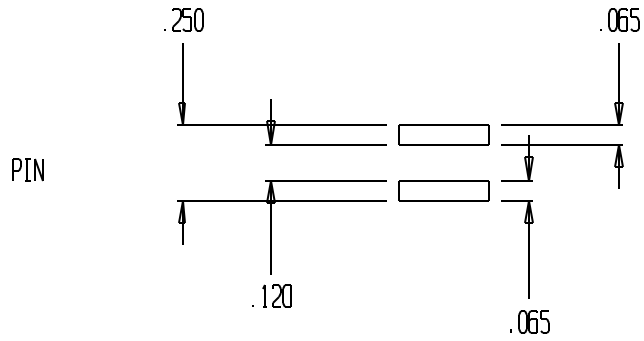
MATERIAL TYPE: ALUM

MATERIAL THICKNESS: .063"



ACCRA-FAB INC.

23201 E. APPLEWAY DRIVE
LIBERTY LAKE, WA 99019
PHONE: (509) 922-3300
FAX: (509) 892-5984



TOOL TYPE: F/U DOUBLE LANCE (1 1/4" STATION)

WILSON TOOL NUMBER: 203-0246

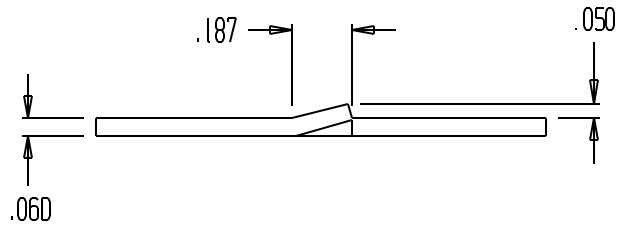
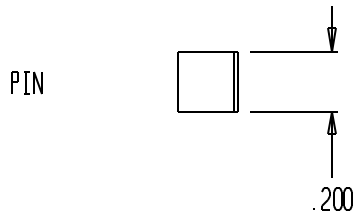
MATERIAL TYPE: CRS

MATERIAL THICKNESS: .060"



ACCRA-FAB INC.

23201 E. APPLEWAY DRIVE
LIBERTY LAKE, WA 99019
PHONE: (509) 922-3300
FAX: (509) 892-5984



TOOL TYPE: F/U LANCE (1 1/4" STATION)

WILSON TOOL NUMBER: 203-4514

MATERIAL TYPE: CRS

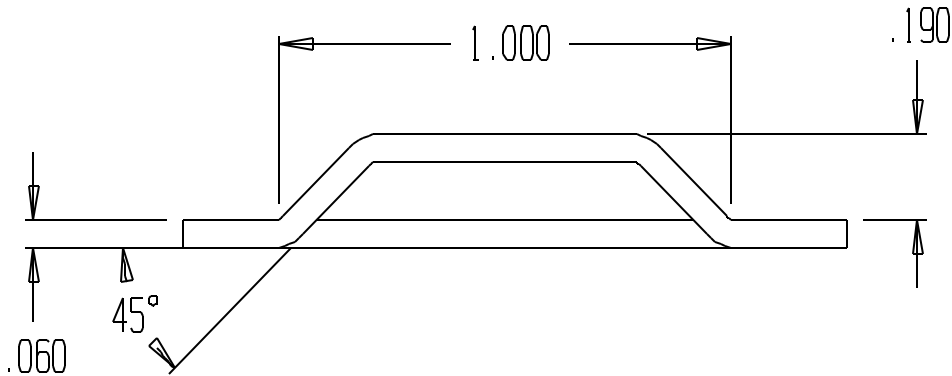
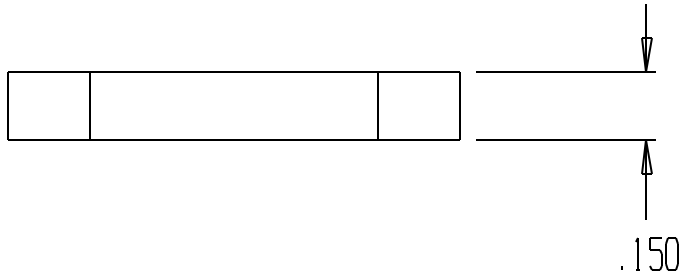
MATERIAL THICKNESS: .060"



ACCRA-FAB INC.

23201 E. APPLEWAY DRIVE
LIBERTY LAKE, WA 99019
PHONE: (509) 922-3300
FAX: (509) 892-5984

PIN



TOOL TYPE: F/U LANCE (1 1/4" STATION)

WILSON TOOL NUMBER: 205-8433

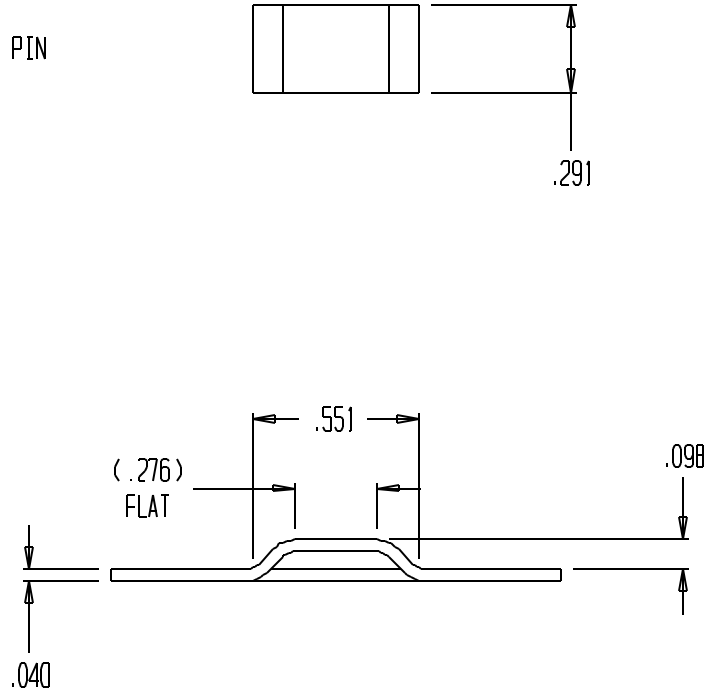
MATERIAL TYPE: CRS

MATERIAL THICKNESS: .060"



ACCRA-FAB INC.

23201 E. APPLEWAY DRIVE
LIBERTY LAKE, WA 99019
PHONE: (509) 922-3300
FAX: (509) 892-5984



TOOL TYPE: F/U LANCE (1 1/4" STATION)

WILSON TOOL NUMBER: 207-3491

MATERIAL TYPE: ALUM

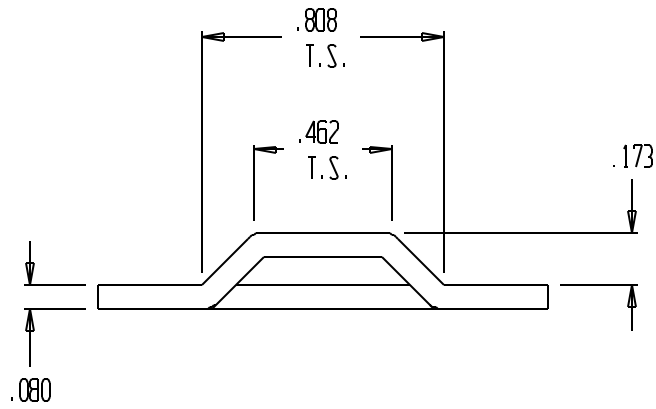
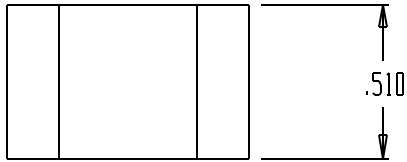
MATERIAL THICKNESS: .040"-.060"



ACCRA-FAB INC.

23201 E. APPLEWAY DRIVE
LIBERTY LAKE, WA 99019
PHONE: (509) 922-3300
FAX: (509) 892-5984

PIN



TOOL TYPE: F/U LANCE (1 1/4" STATION)

WILSON TOOL NUMBER: 207-4731

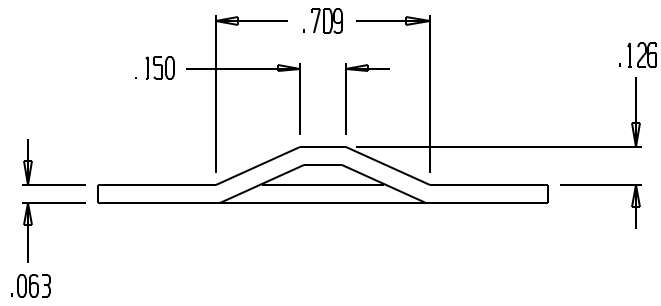
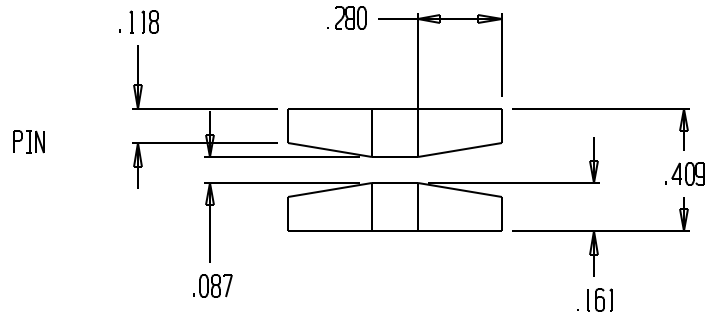
MATERIAL TYPE: ALUM

MATERIAL THICKNESS: .080"



ACCRA-FAB INC.

23201 E. APPLEWAY DRIVE
LIBERTY LAKE, WA 99019
PHONE: (509) 922-3300
FAX: (509) 892-5984



TOOL TYPE: F/U DOUBLE LANCE (1 1/4" STATION)

WILSON TOOL NUMBER: 207-5069

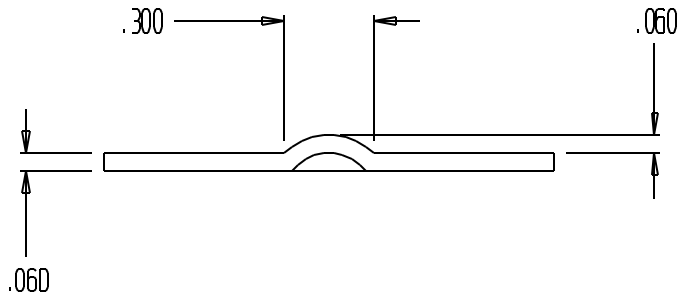
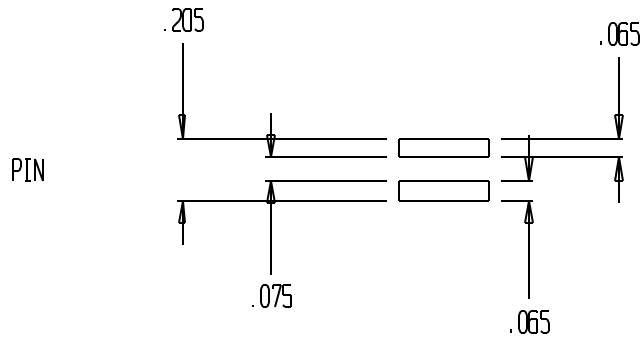
MATERIAL TYPE: ALUM

MATERIAL THICKNESS: .060"



ACCRA-FAB INC.

23201 E. APPLEWAY DRIVE
LIBERTY LAKE, WA 99019
PHONE: (509) 922-3300
FAX: (509) 892-5984



TOOL TYPE: F/U DOUBLE LANCE (1 1/4" STATION)

WILSON TOOL NUMBER: 207-8249

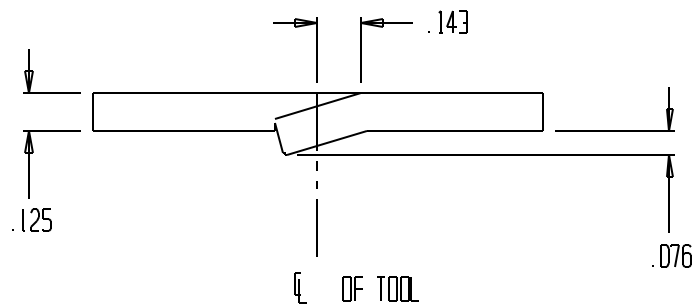
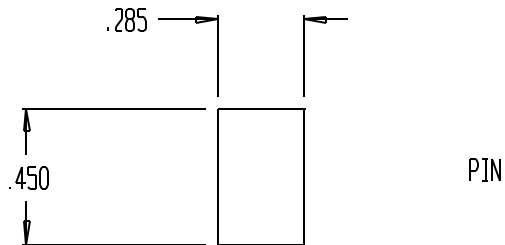
MATERIAL TYPE: CRS

MATERIAL THICKNESS: .060"



ACCRA-FAB INC.

23201 E. APPLEWAY DRIVE
LIBERTY LAKE, WA 99019
PHONE: (509) 922-3300
FAX: (509) 892-5984



TOOL TYPE: F/DOWN LANCE (1 1/4" STATION)

WILSON TOOL NUMBER: 214-1174

MATERIAL TYPE: ALUM

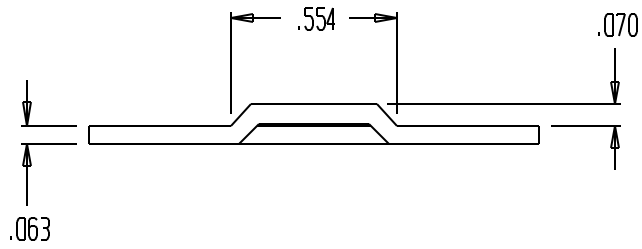
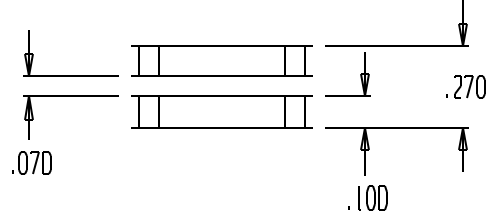
MATERIAL THICKNESS: .125"



ACCRA-FAB INC.

23201 E. APPLEWAY DRIVE
LIBERTY LAKE, WA 99019
PHONE: (509) 922-3300
FAX: (509) 892-5984

PIN



TOOL TYPE: F/U DOUBLE LANCE (1 1/4" STATION)

WILSON TOOL NUMBER: 214-3335

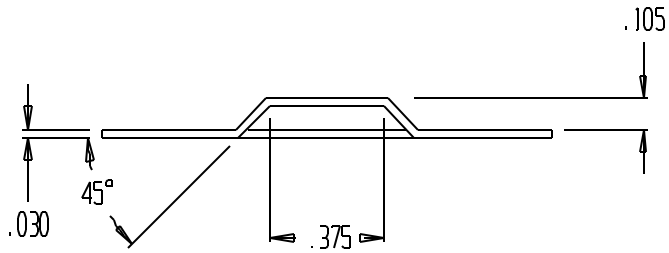
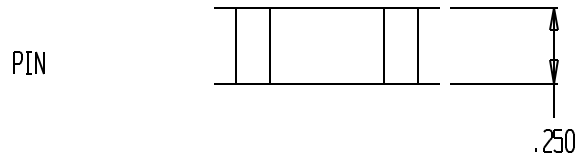
MATERIAL TYPE: ALUM

MATERIAL THICKNESS: .063"



ACCRA-FAB INC.

23201 E. APPLEWAY DRIVE
LIBERTY LAKE, WA 99019
PHONE: (509) 922-3300
FAX: (509) 892-5984



TOOL TYPE: F/U LANCE (1 1/4" STATION)

WILSON TOOL NUMBER: 215-4728

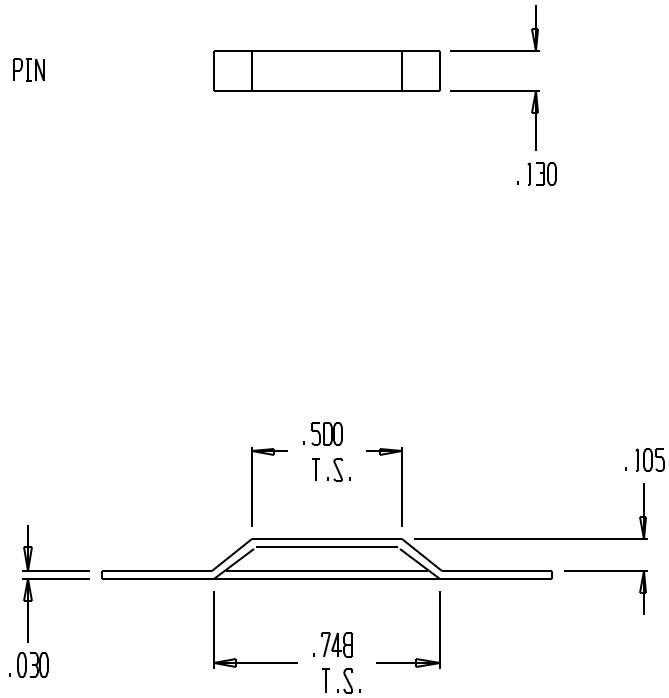
MATERIAL TYPE: CRS

MATERIAL THICKNESS: .030"



ACCRA-FAB INC.

23201 E. APPLEWAY DRIVE
LIBERTY LAKE, WA 99019
PHONE: (509) 922-3300
FAX: (509) 892-5984



TOOL TYPE: F/U LANCE (1 1/4" STATION)

WILSON TOOL NUMBER: 215-4730

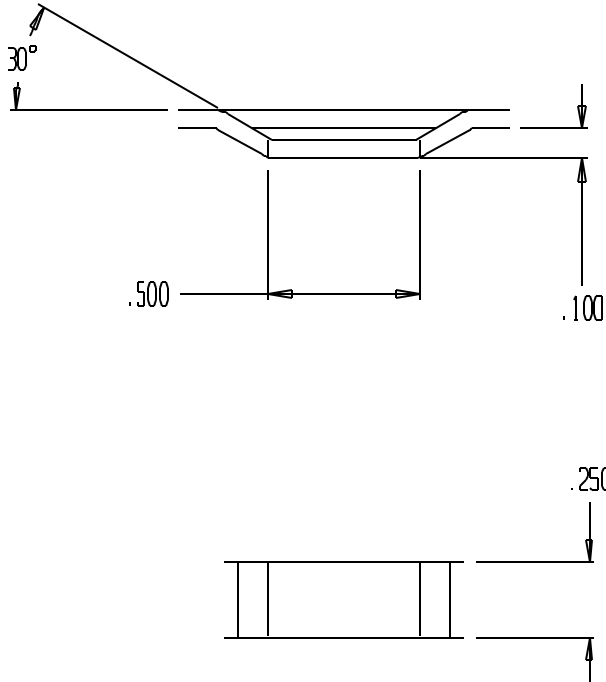
MATERIAL TYPE: CRS

MATERIAL THICKNESS: .030"



ACCRA-FAB INC.

23201 E. APPLEWAY DRIVE
LIBERTY LAKE, WA 99019
PHONE: (509) 922-3300
FAX: (509) 892-5984



TOOL TYPE: F/DOWN LANCE (1 1/4" STATION)

WILSON TOOL NUMBER: 207-0561

MATERIAL TYPE: ALUM

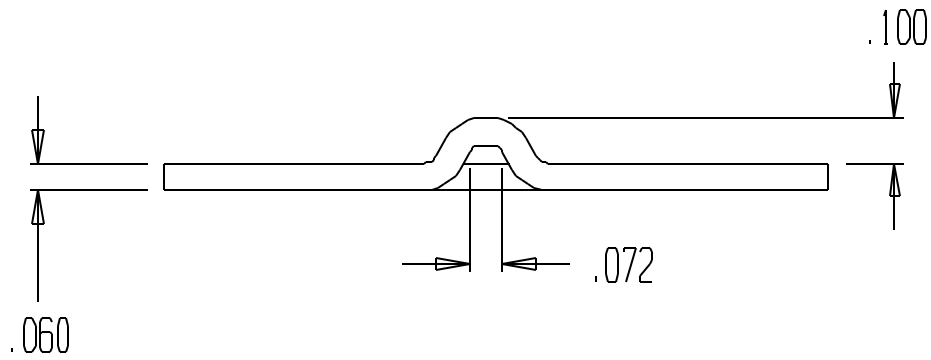
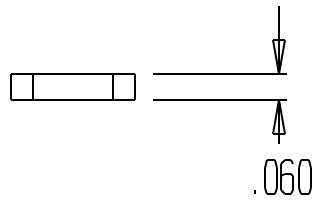
MATERIAL THICKNESS: .060"



ACCRA-FAB INC.

23201 E. APPLEWAY DRIVE
LIBERTY LAKE, WA 99019
PHONE: (509) 922-3300
FAX: (509) 892-5984

PIN



TOOL TYPE: F/U LANCE (1 1/4" STATION)

WILSON TOOL NUMBER: 359605-10

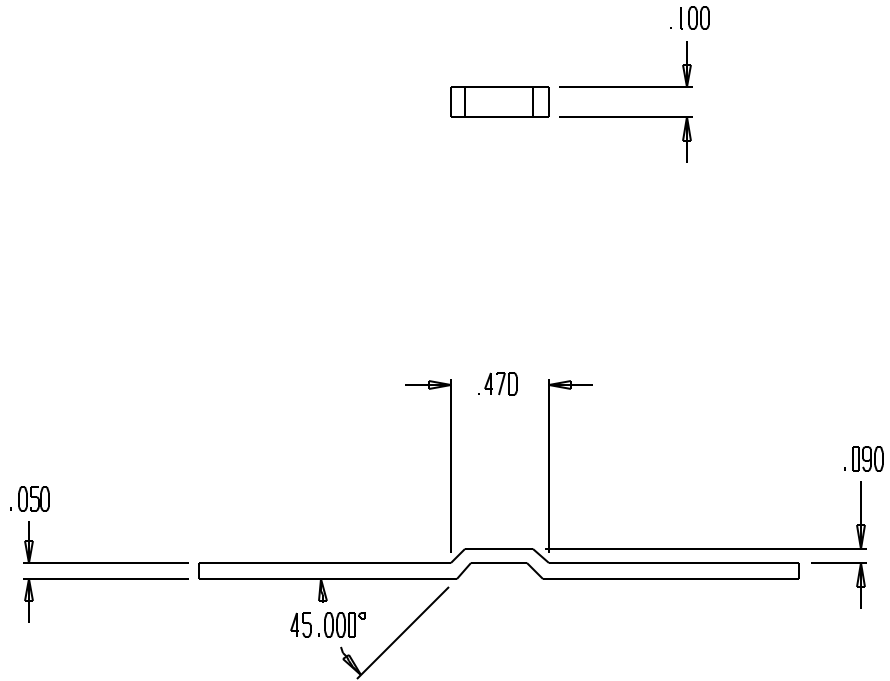
MATERIAL TYPE: ALUM

MATERIAL THICKNESS: $.060$ "



ACCRA-FAB INC.

23201 E. APPLEWAY DRIVE
LIBERTY LAKE, WA 99019
PHONE: (509) 922-3300
FAX: (509) 892-5984



TOOL TYPE: F/U LANCE (1 1/4" STATION)

WILSON TOOL NUMBER: 120091-10

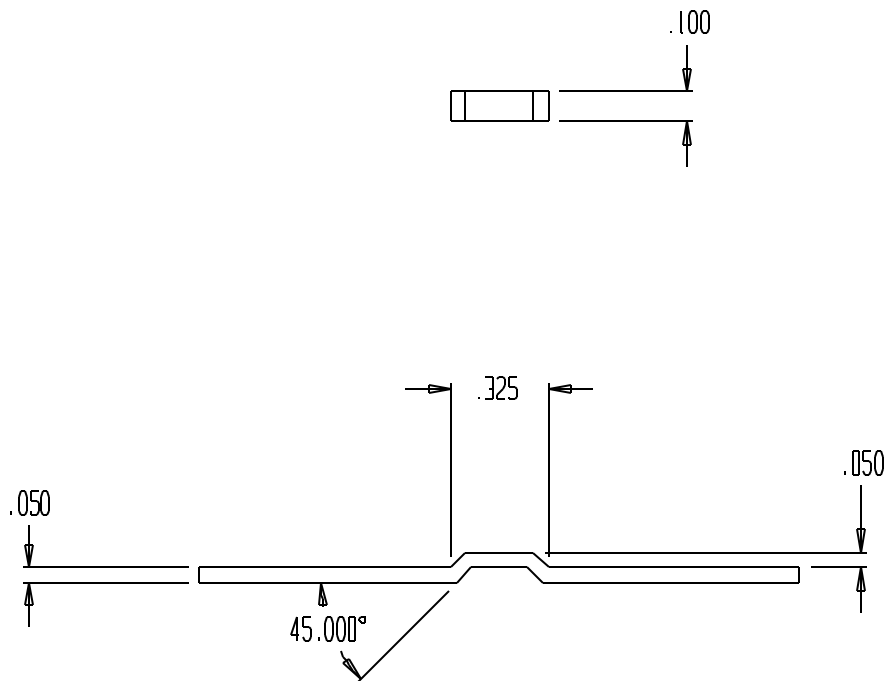
MATERIAL TYPE: ALUMINUM

MATERIAL THICKNESS: .050"



ACCRA-FAB INC.

23201 E. APPLEWAY DRIVE
LIBERTY LAKE, WA 99019
PHONE: (509) 922-3300
FAX: (509) 892-5984



TOOL TYPE: F/U LANCE (1 1/4" STATION)

WILSON TOOL NUMBER: 120148-10

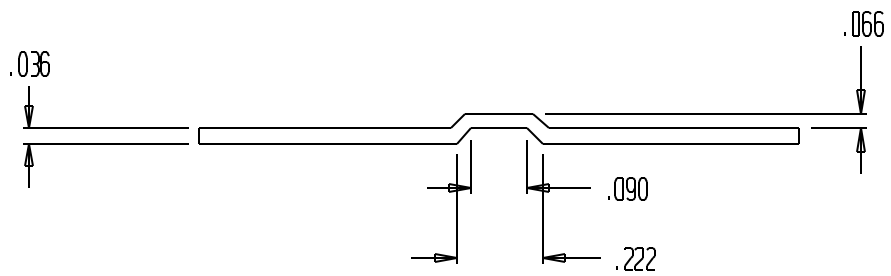
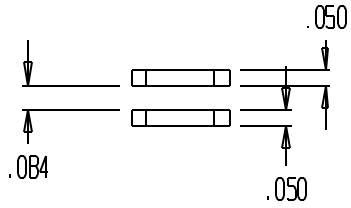
MATERIAL TYPE: ALUMINUM

MATERIAL THICKNESS: .050"



ACCRA-FAB INC.

23201 E. APPLEWAY DRIVE
LIBERTY LAKE, WA 99019
PHONE: (509) 922-3300
FAX: (509) 892-5984



TOOL TYPE: F/U DOUBLE LANCE (1 1/4" STATION)

WILSON TOOL NUMBER: 133B45-10

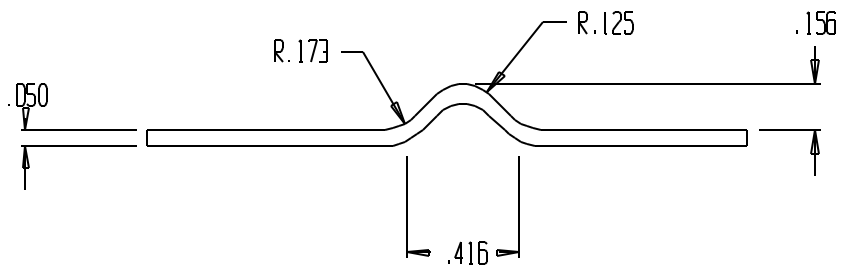
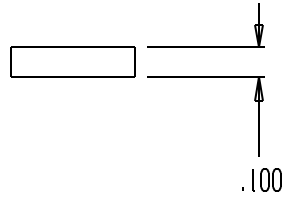
MATERIAL TYPE: ELECTRO GALV.

MATERIAL THICKNESS: .036"



ACCRA-FAB INC.

23201 E. APPLEWAY DRIVE
LIBERTY LAKE, WA 99019
PHONE: (509) 922-3300
FAX: (509) 892-5984



TOOL TYPE: F/U LANCE (1 1/4" STATION)

WILSON TOOL NUMBER: 133B50-10

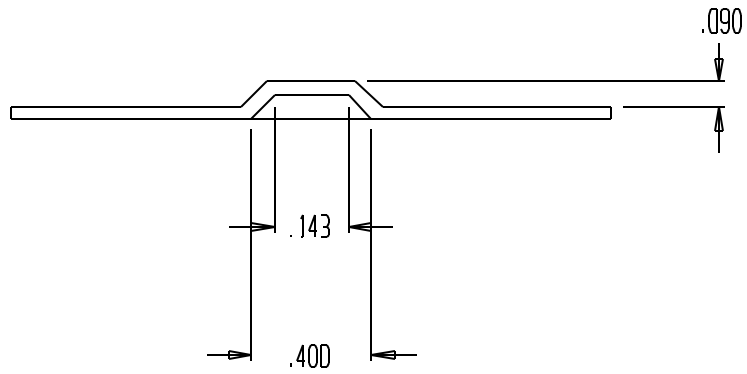
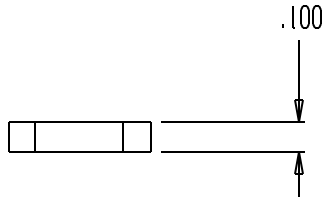
MATERIAL TYPE: ALUMINUM

MATERIAL THICKNESS: .050"



ACCRA-FAB INC.

23201 E. APPLEWAY DRIVE
LIBERTY LAKE, WA 99019
PHONE: (509) 922-3300
FAX: (509) 892-5984



TOOL TYPE: F/U LANCE (1 1/4" STATION)

WILSON TOOL NUMBER: 133B52-10

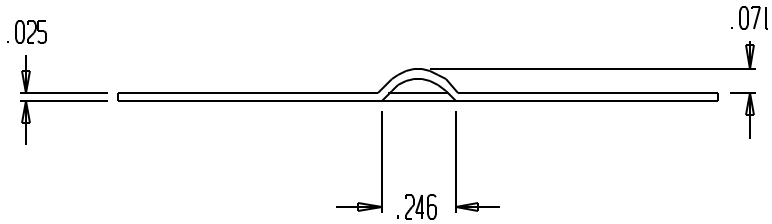
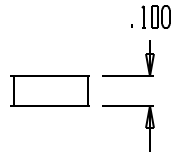
MATERIAL TYPE: ALUMINUM

MATERIAL THICKNESS: .050"



ACCRA-FAB INC.

23201 E. APPLEWAY DRIVE
LIBERTY LAKE, WA 99019
PHONE: (509) 922-3300
FAX: (509) 892-5984



TOOL TYPE: F/U LANCE (1 1/4" STATION)

WILSON TOOL NUMBER: 133853-10

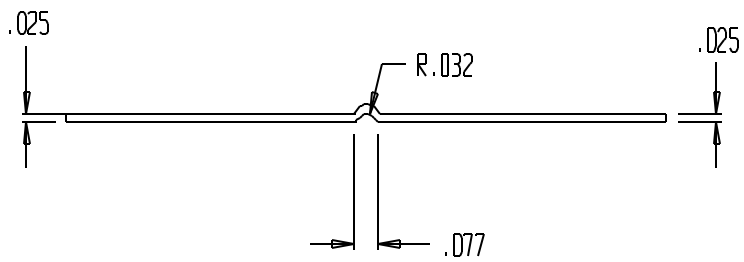
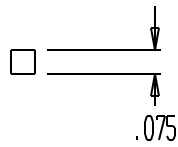
MATERIAL TYPE: ALUMINUM

MATERIAL THICKNESS: .025"



ACCRA-FAB INC.

23201 E. APPLEWAY DRIVE
LIBERTY LAKE, WA 99019
PHONE: (509) 922-3300
FAX: (509) 892-5984



TOOL TYPE: F/U LANCE (1 1/4" STATION)

WILSON TOOL NUMBER: 133861-10

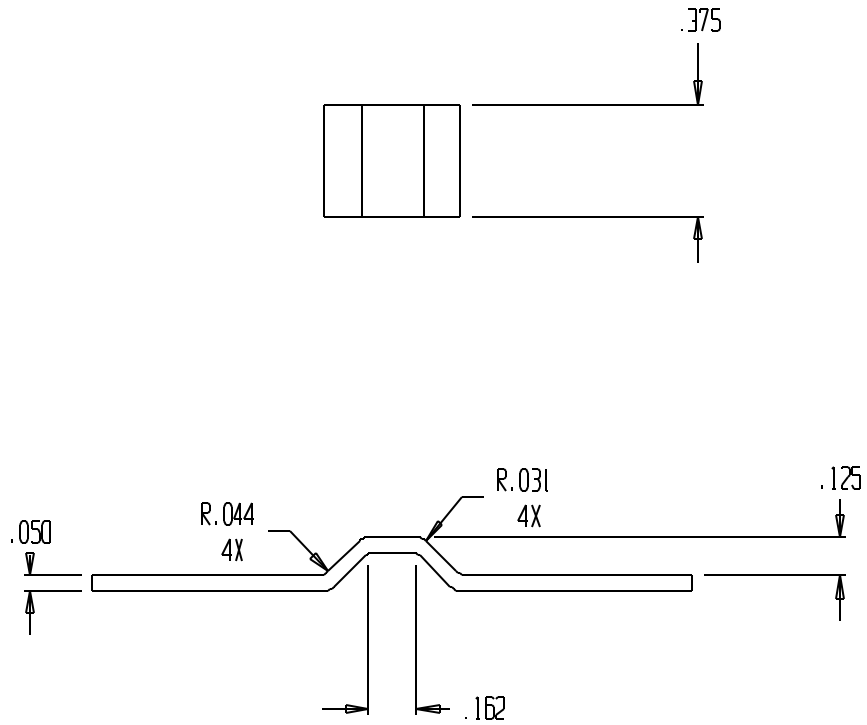
MATERIAL TYPE: ALUMINUM

MATERIAL THICKNESS: .025"



ACCRA-FAB INC.

23201 E. APPLEWAY DRIVE
LIBERTY LAKE, WA 99019
PHONE: (509) 922-3300
FAX: (509) 892-5984



TOOL TYPE: F/U LANCE (1 1/4" STATION)

WILSON TOOL NUMBER: 134734-10

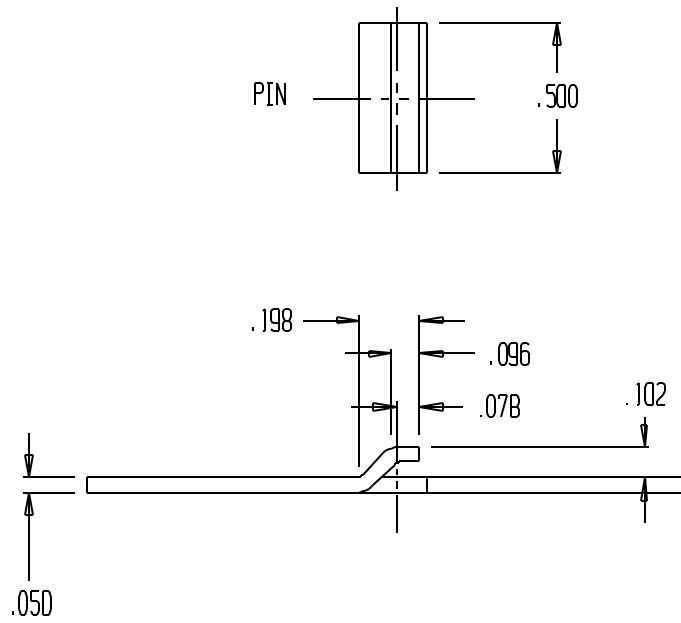
MATERIAL TYPE: ALUMINUM

MATERIAL THICKNESS: .050"



ACCRA-FAB INC.

23201 E. APPLEWAY DRIVE
LIBERTY LAKE, WA 99019
PHONE: (509) 922-3300
FAX: (509) 892-5984



TOOL TYPE: F/U LANCE (1 1/4" STATION)

WILSON TOOL NUMBER: 136477-10

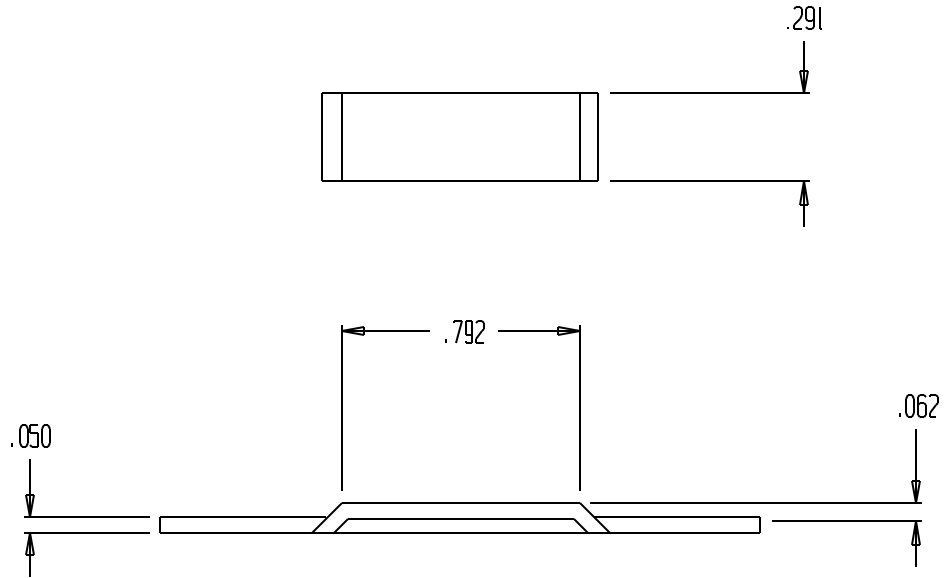
MATERIAL TYPE: ALUMINUM

MATERIAL THICKNESS: .050"



ACCRA-FAB INC.

23201 E. APPLEWAY DRIVE
LIBERTY LAKE, WA 99019
PHONE: (509) 922-3300
FAX: (509) 892-5984



TOOL TYPE: F/U LANCE (1 1/4" STATION)

WILSON TOOL NUMBER: 339513-10

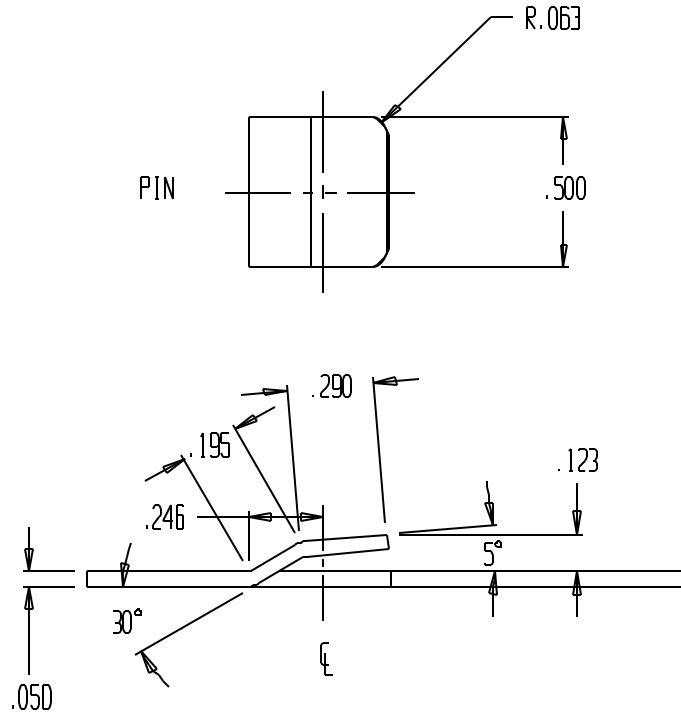
MATERIAL TYPE: ALUMINUM

MATERIAL THICKNESS: .050"



ACCRA-FAB INC.

23201 E. APPLEWAY DRIVE
LIBERTY LAKE, WA 99019
PHONE: (509) 922-3300
FAX: (509) 892-5984



TOOL TYPE: F/U LANCE (1 1/4" STATION)

WILSON TOOL NUMBER: 339513-30

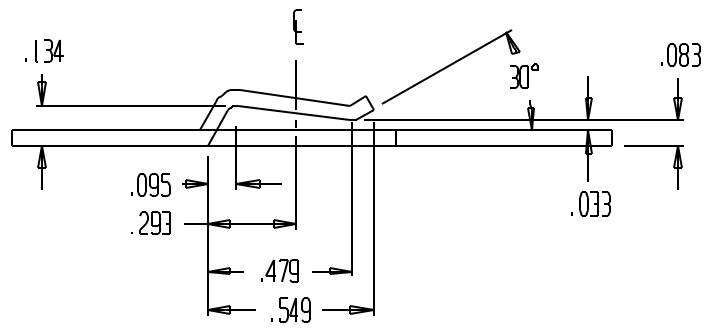
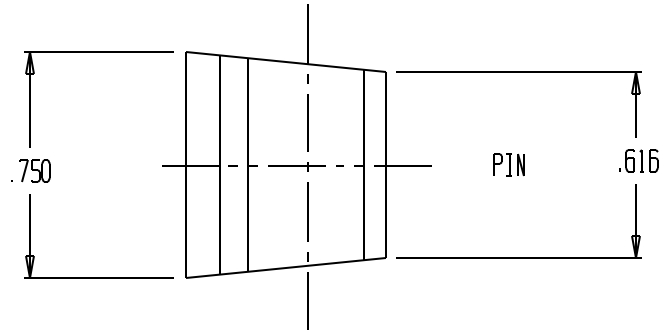
MATERIAL TYPE: ALUMINUM

MATERIAL THICKNESS: .050"



ACCRA-FAB INC.

23201 E. APPLEWAY DRIVE
LIBERTY LAKE, WA 99019
PHONE: (509) 922-3300
FAX: (509) 892-5984



TOOL TYPE: F/U LANCE (1 1/4" STATION)

WILSON TOOL NUMBER: 351287-10

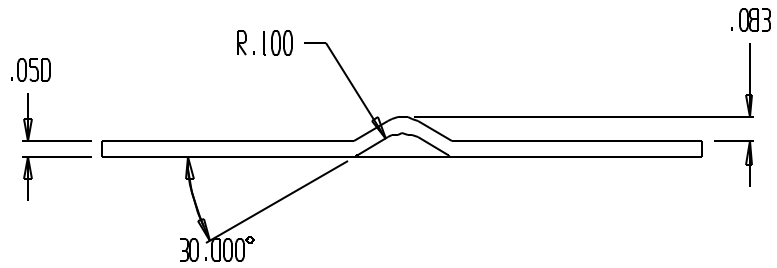
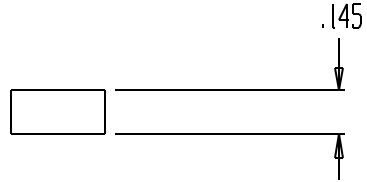
MATERIAL TYPE: ALUMINUM

MATERIAL THICKNESS: .050"



ACCRA-FAB INC.

23201 E. APPLEWAY DRIVE
LIBERTY LAKE, WA 99019
PHONE: (509) 922-3300
FAX: (509) 892-5984



TOOL TYPE: F/U LANCE (1 1/4" STATION)

WILSON TOOL NUMBER: 351287-20

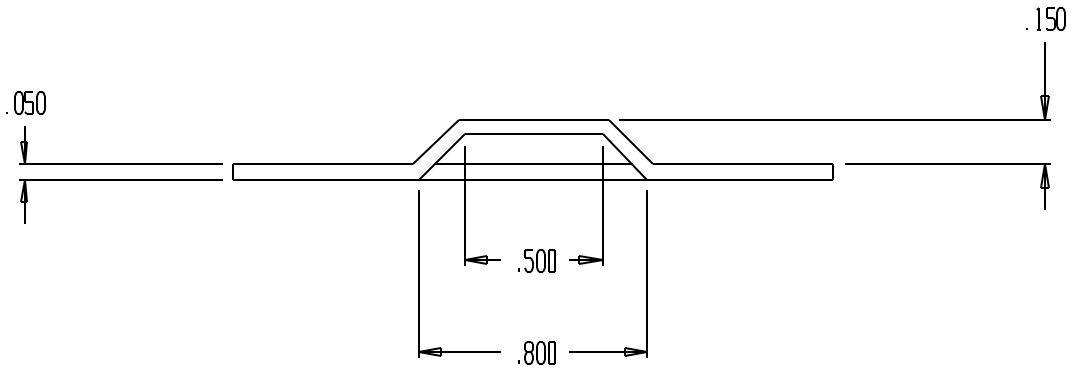
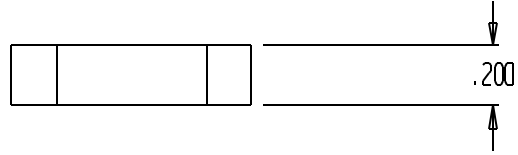
MATERIAL TYPE: ALUMINUM

MATERIAL THICKNESS: .050"



ACCRA-FAB INC.

23201 E. APPLEWAY DRIVE
LIBERTY LAKE, WA 99019
PHONE: (509) 922-3300
FAX: (509) 892-5984



TOOL TYPE: F/U LANCE (1 1/4" STATION)

WILSON TOOL NUMBER: 351287-30

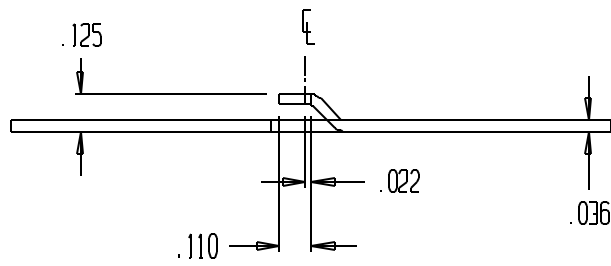
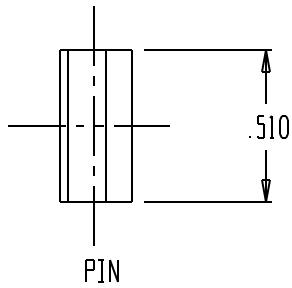
MATERIAL TYPE: ALUMINUM

MATERIAL THICKNESS: .050"



ACCRA-FAB INC.

23201 E. APPLEWAY DRIVE
LIBERTY LAKE, WA 99019
PHONE: (509) 922-3300
FAX: (509) 892-5984



TOOL TYPE: F/U LANCE (1 1/4" STATION)

WILSON TOOL NUMBER: 363589-20

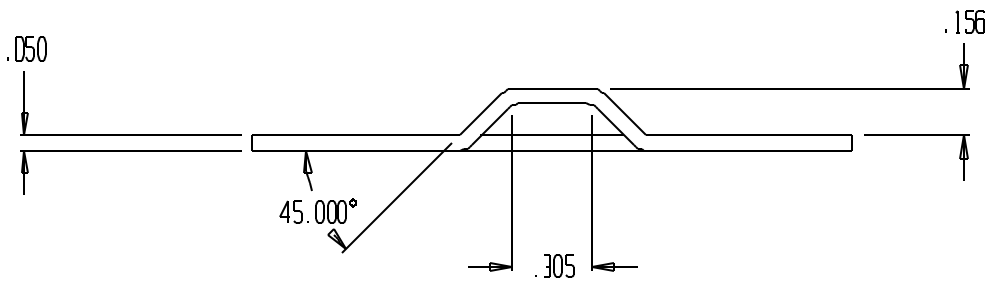
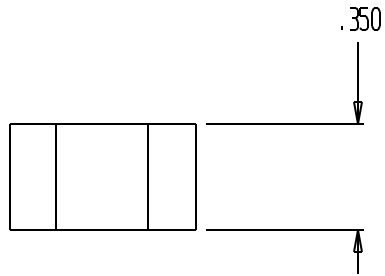
MATERIAL TYPE: GALV

MATERIAL THICKNESS: .036"



ACCRA-FAB INC.

23201 E. APPLEWAY DRIVE
LIBERTY LAKE, WA 99019
PHONE: (509) 922-3300
FAX: (509) 892-5984



TOOL TYPE: F/U LANCE (1 1/4" STATION)

WILSON TOOL NUMBER: 364743-10

MATERIAL TYPE: ALUMINUM

MATERIAL THICKNESS: .050"



ACCRA-FAB INC.

23201 E. APPLEWAY DRIVE
LIBERTY LAKE, WA 99019
PHONE: (509) 922-3300
FAX: (509) 892-5984