

TOOL TYPE: KNOCKOUT TOOL (1 1/4" STATION)

WILSON TOOL NUMBER: 201-5875

MATERIAL TYPE: CRS

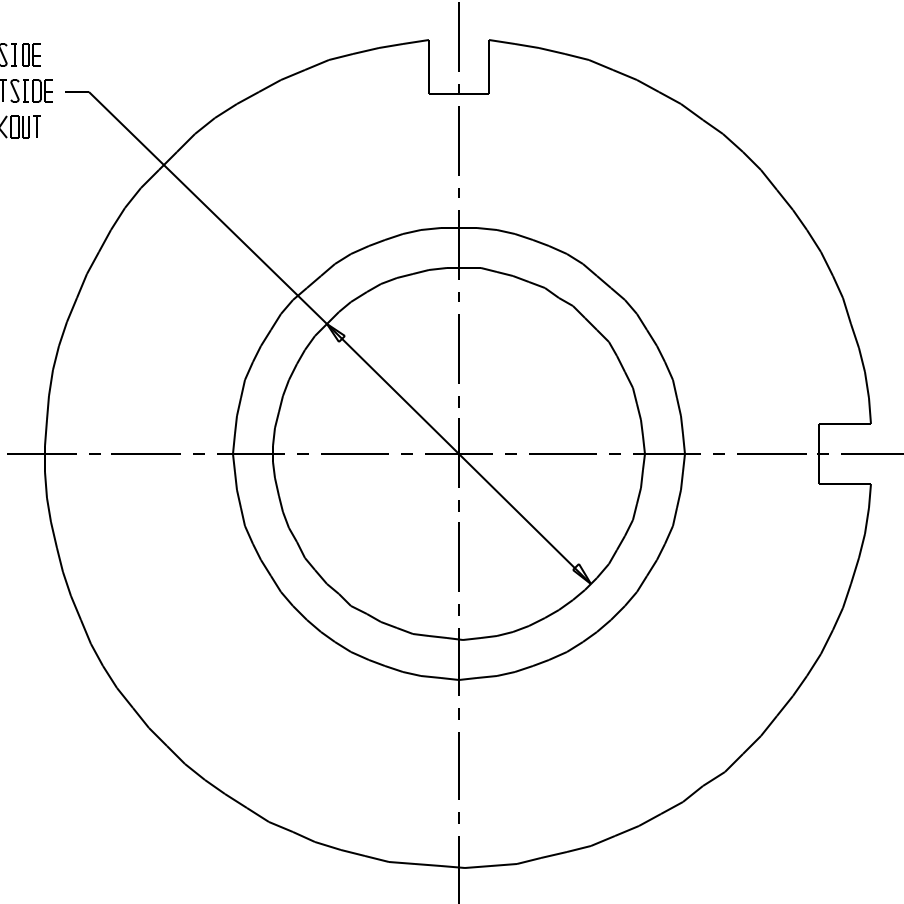
MATERIAL THICKNESS: .060" - .080"



ACCRA-FAB INC.

23201 E. APPLEWAY DRIVE
LIBERTY LAKE, WA 99019
PHONE: (509) 922-3300
FAX: (509) 892-5984

2.468 INSIDE
3.000 OUTSIDE
F/U KNOCKOUT



TOOL TYPE: KNOCKOUT TOOL (4 1/2" STATION)

WILSON TOOL NUMBER: 203-5323

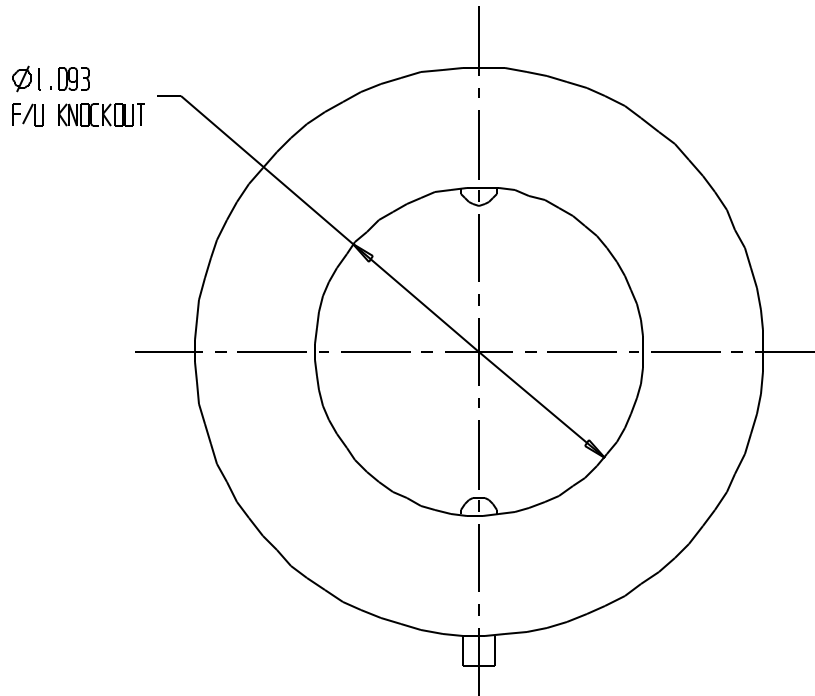
MATERIAL TYPE: CRS

MATERIAL THICKNESS: .060"



ACCRA-FAB INC.

23201 E. APPLEWAY DRIVE
LIBERTY LAKE, WA 99019
PHONE: (509) 922-3300
FAX: (509) 892-5984



TOOL TYPE: KNOCKOUT TOOL (1 1/4" STATION)

WILSON TOOL NUMBER: 203-5380

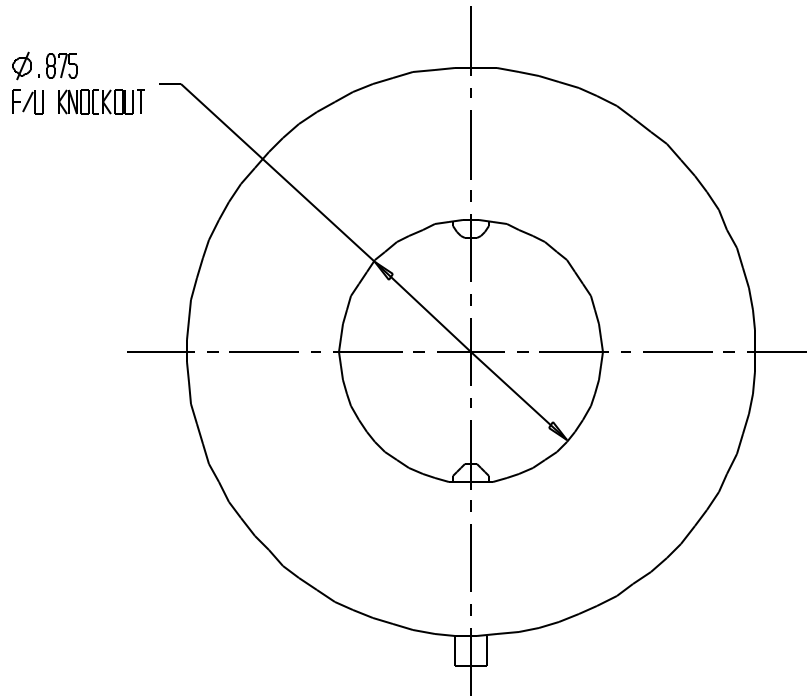
MATERIAL TYPE: CRS

MATERIAL THICKNESS: .060"



ACCRA-FAB INC.

23201 E. APPLEWAY DRIVE
LIBERTY LAKE, WA 99019
PHONE: (509) 922-3300
FAX: (509) 892-5984



TOOL TYPE: KNOCKOUT TOOL (1 1/4" STATION)

WILSON TOOL NUMBER: 212-5914

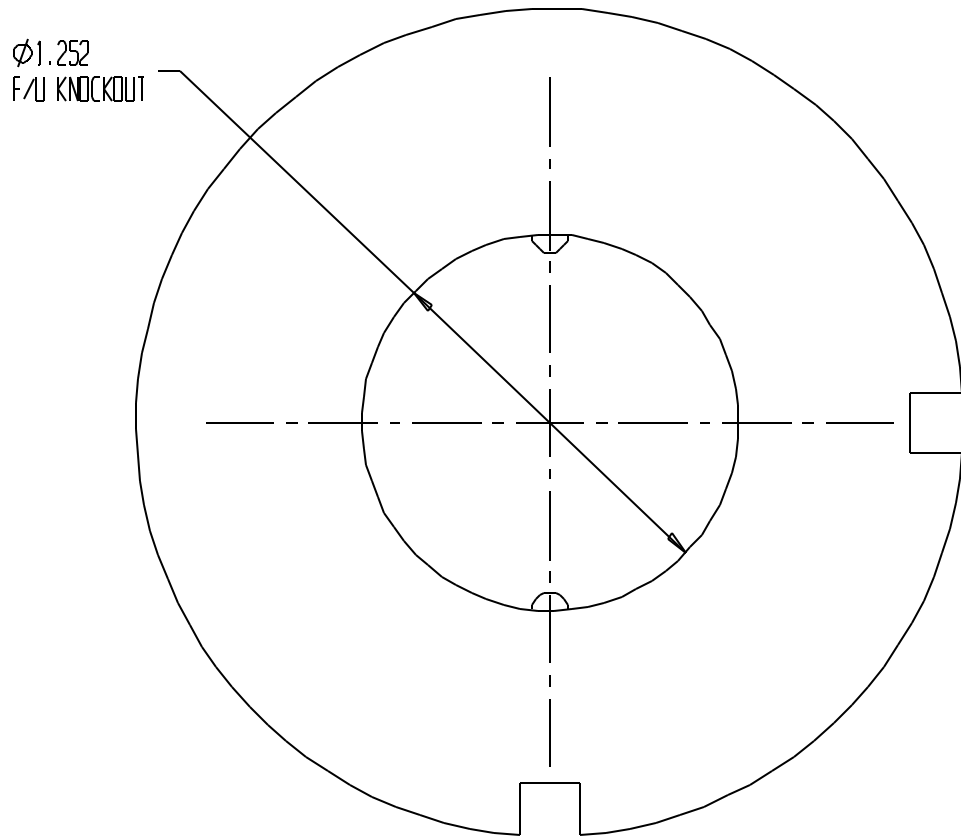
MATERIAL TYPE: ALUM

MATERIAL THICKNESS: .080"



ACCRA-FAB INC.

23201 E. APPLEWAY DRIVE
LIBERTY LAKE, WA 99019
PHONE: (509) 922-3300
FAX: (509) 892-5984



TOOL TYPE: KNOCKOUT TOOL (2" STATION)

WILSON TOOL NUMBER: 212-5942

MATERIAL TYPE: CRS

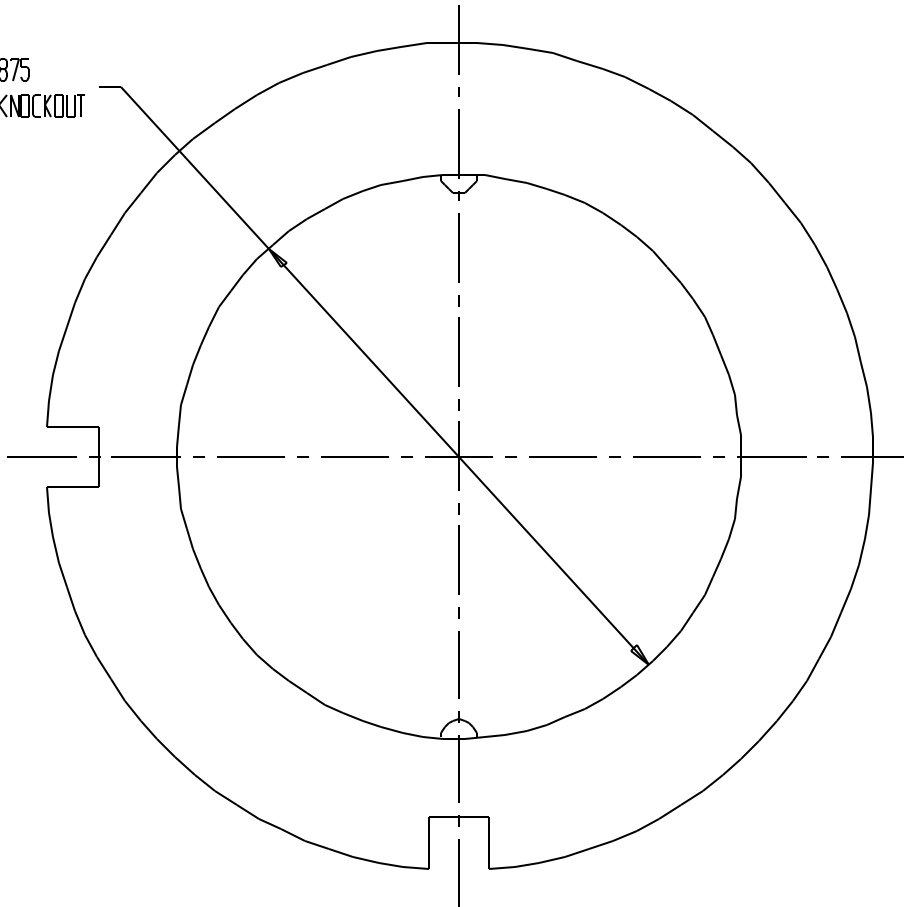
MATERIAL THICKNESS: .060"



ACCRA-FAB INC.

23201 E. APPLEWAY DRIVE
LIBERTY LAKE, WA 99019
PHONE: (509) 922-3300
FAX: (509) 892-5984

Ø1.875
F/U KNOCKOUT



TOOL TYPE: KNOCKOUT TOOL (3 1/2" STATION)

WILSON TOOL NUMBER: 168314-10

MATERIAL TYPE: ALUM

MATERIAL THICKNESS: .125"



ACCRA-FAB INC.

23201 E. APPLEWAY DRIVE
LIBERTY LAKE, WA 99019
PHONE: (509) 922-3300
FAX: (509) 892-5984