

TOOL TYPE: ROUND F/U EMBOSS (1 1/4" STATION)

WILSON TOOL NUMBER: 83-2016

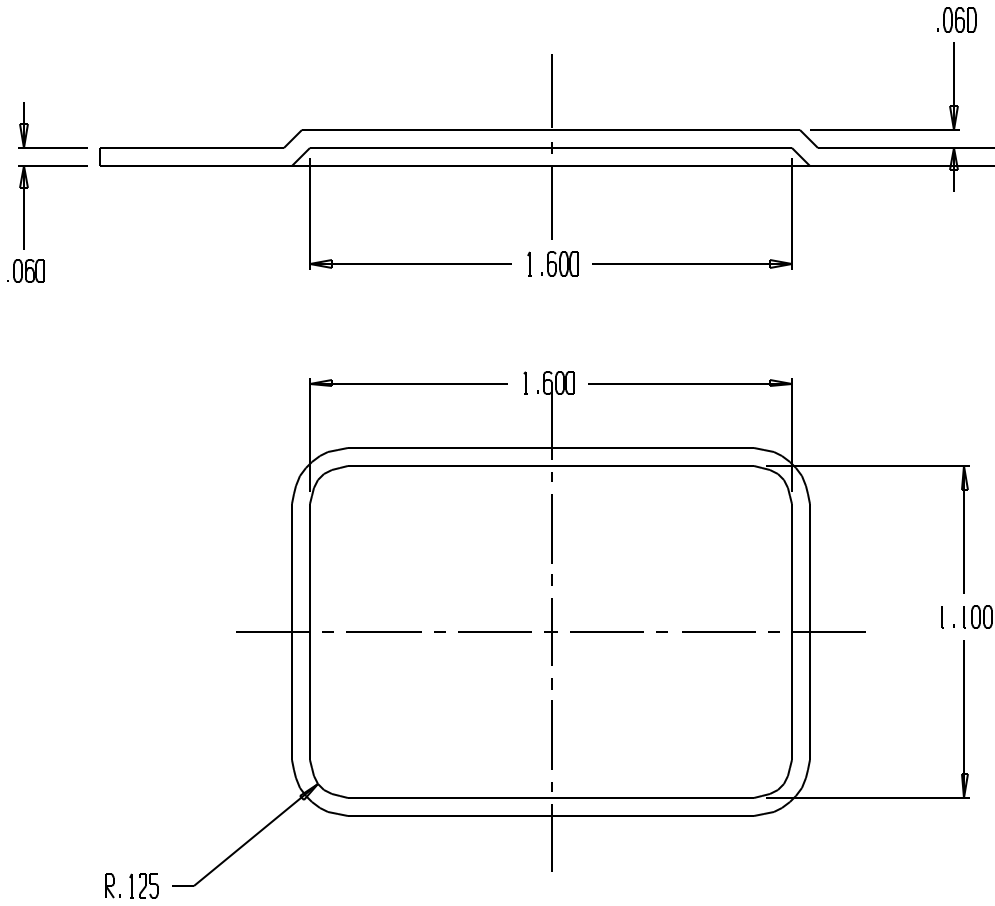
MATERIAL TYPE: ALUMINUM

MATERIAL THICKNESS: .062"



ACCRA-FAB INC.

23201 E. APPLEWAY DRIVE
LIBERTY LAKE, WA 99019
PHONE: (509) 922-3300
FAX: (509) 892-5984



TOOL TYPE: ROUND F/U EMBOSS (3 1/2" STATION)

WILSON TOOL NUMBER: 201-2165

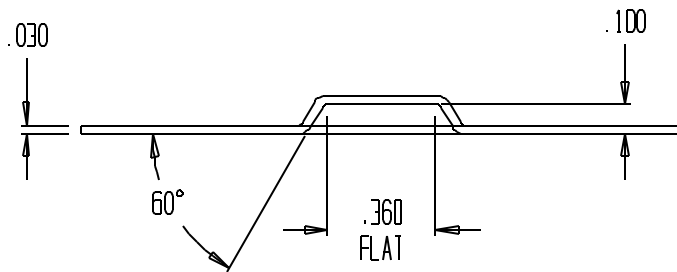
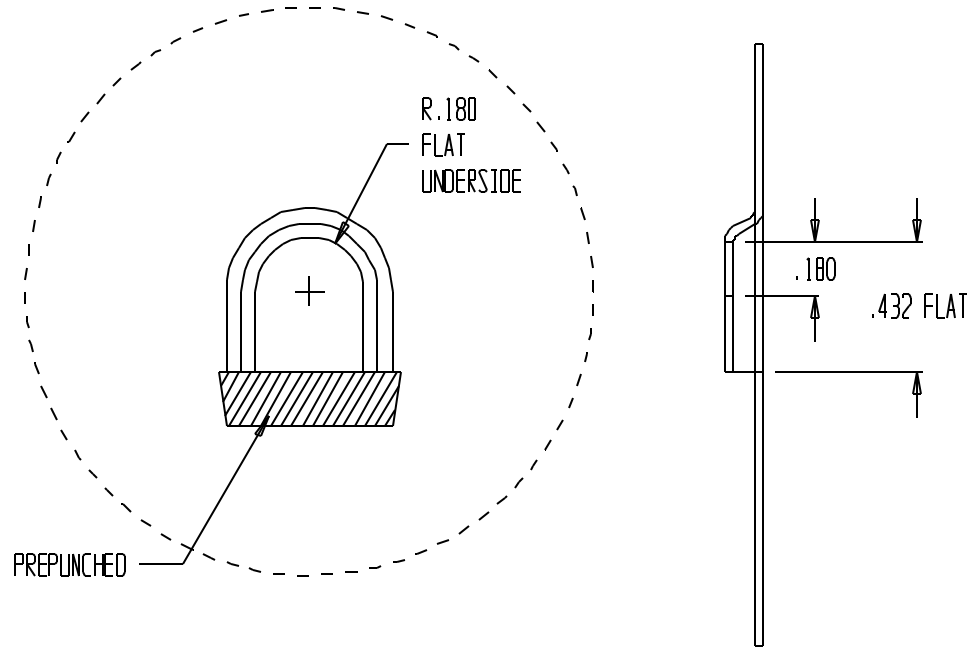
MATERIAL TYPE: ALUMINUM

MATERIAL THICKNESS: .100"



ACCRA-FAB INC.

23201 E. APPLEWAY DRIVE
LIBERTY LAKE, WA 99019
PHONE: (509) 922-3300
FAX: (509) 892-5984



TOOL TYPE: F/U SHAPED EMOSS (1 1/4" STATION)

WILSON TOOL NUMBER: 88-2990

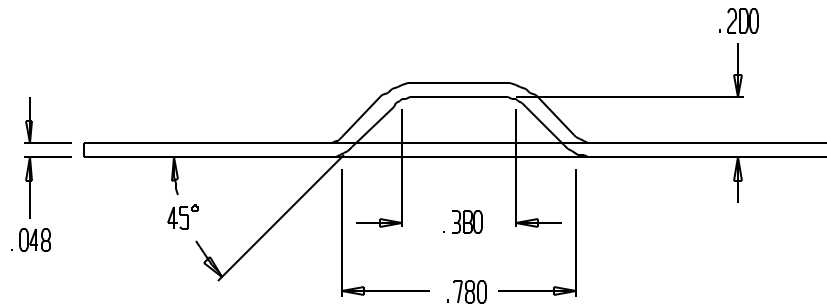
MATERIAL TYPE: CRS

MATERIAL THICKNESS: .030"



ACCRA-FAB INC.

23201 E. APPLEWAY DRIVE
LIBERTY LAKE, WA 99019
PHONE: (509) 922-3300
FAX: (509) 892-5984



TOOL TYPE: ROUND F/U EMBOSS (1 1/4" STATION)

WILSON TOOL NUMBER: 88-5636

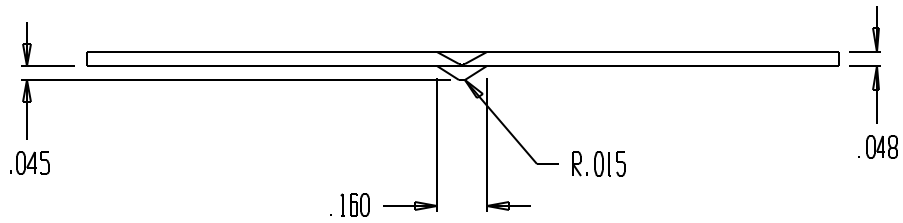
MATERIAL TYPE: CRS

MATERIAL THICKNESS: .048"



ACCRA-FAB INC.

23201 E. APPLEWAY DRIVE
LIBERTY LAKE, WA 99019
PHONE: (509) 922-3300
FAX: (509) 892-5984



TOOL TYPE: ROUND F/O DIMPLE (1/2" STATION)

WILSON TOOL NUMBER: B9-4007

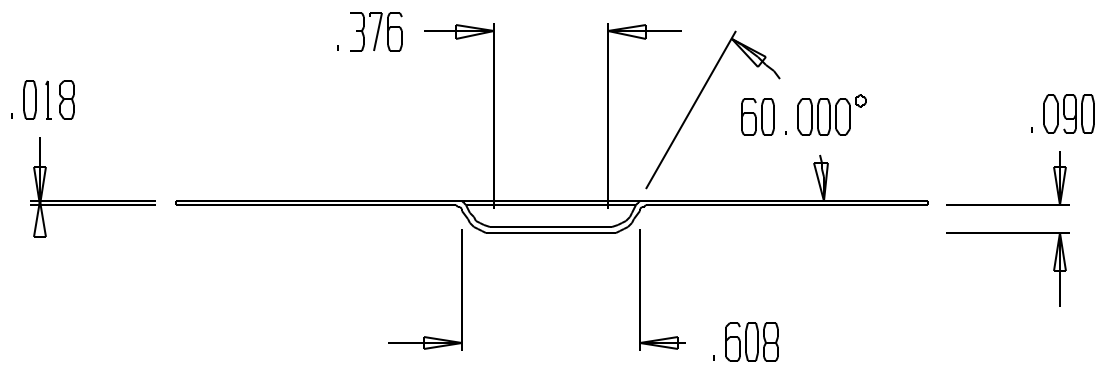
MATERIAL TYPE: STAINLESS STEEL

MATERIAL THICKNESS: .048"



ACCRA-FAB INC.

23201 E. APPLEWAY DRIVE
LIBERTY LAKE, WA 99019
PHONE: (509) 922-3300
FAX: (509) 892-5984



TOOL TYPE: F/O EMBOSS

WILSON TOOL NUMBER: 89-7519

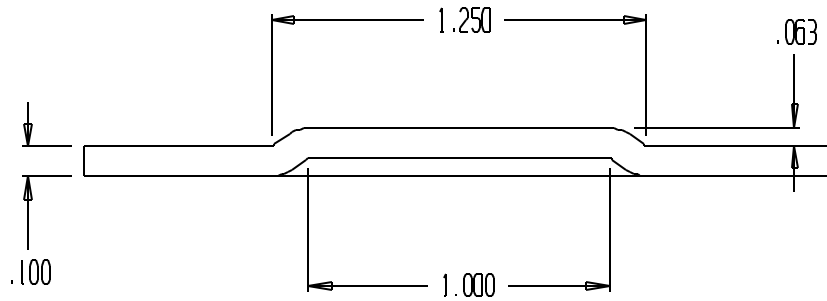
MATERIAL TYPE: STAINLESS STEEL

MATERIAL THICKNESS: .018"



ACCRA-FAB INC.

23201 E. APPLEWAY DRIVE
LIBERTY LAKE, WA 99019
PHONE: (509) 922-3300
FAX: (509) 892-5984



TOOL TYPE: ROUND F/U EMBOSS (2" STATION)

WILSON TOOL NUMBER: 90-2756

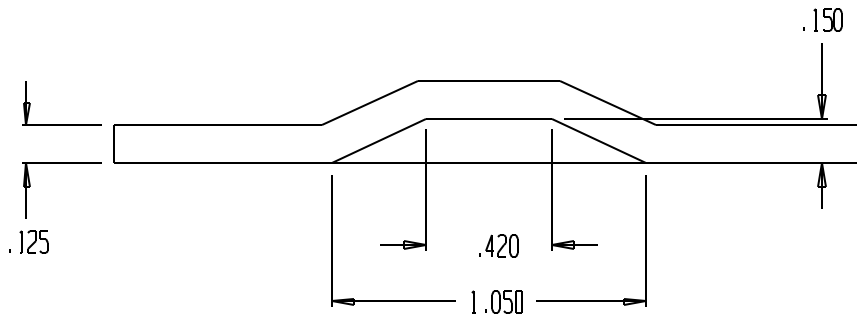
MATERIAL TYPE: ALUMINUM

MATERIAL THICKNESS: .100"



ACCRA-FAB INC.

23201 E. APPLEWAY DRIVE
LIBERTY LAKE, WA 99019
PHONE: (509) 922-3300
FAX: (509) 892-5984



TOOL TYPE: ROUND F/U EMBOSS (2" STATION)

WILSON TOOL NUMBER: 90-7702

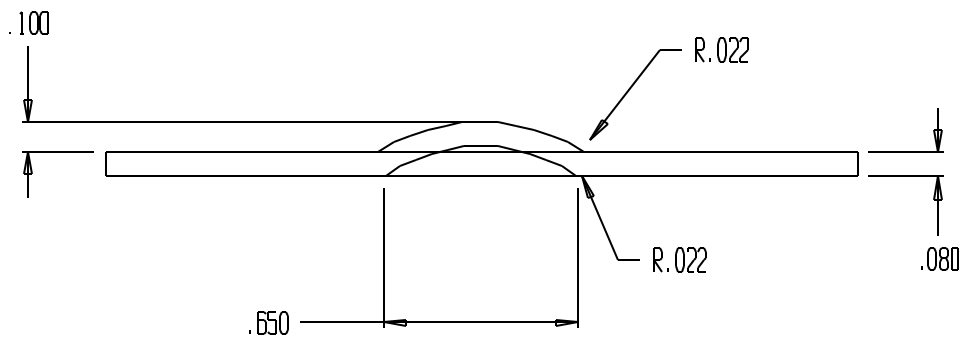
MATERIAL TYPE: ALUMINUM

MATERIAL THICKNESS: .125"



ACCRA-FAB INC.

23201 E. APPLEWAY DRIVE
LIBERTY LAKE, WA 99019
PHONE: (509) 922-3300
FAX: (509) 892-5984



TOOL TYPE: ROUND F/U EMBOSS (1 1/4" STATION)

WILSON TOOL NUMBER: 91-5545

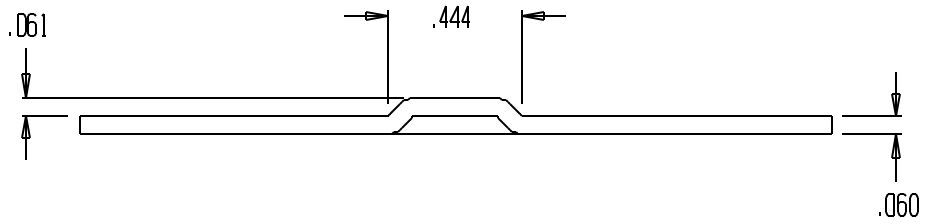
MATERIAL TYPE: ALUMINUM

MATERIAL THICKNESS: .080"



ACCRA-FAB INC.

23201 E. APPLEWAY DRIVE
LIBERTY LAKE, WA 99019
PHONE: (509) 922-3300
FAX: (509) 892-5984



TOOL TYPE: ROUND F/U EMBOSS (1 1/4" STATION)

WILSON TOOL NUMBER: 92-2265

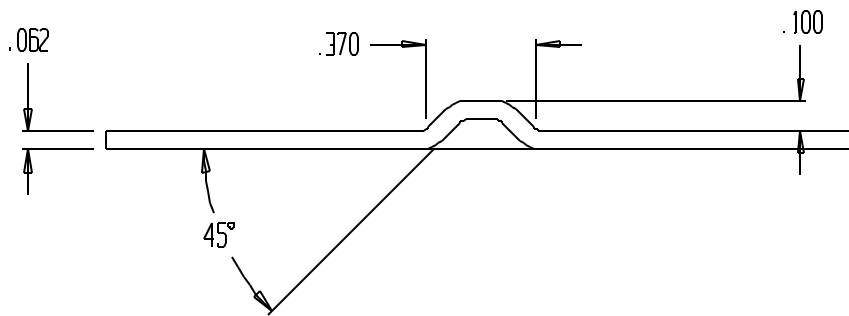
MATERIAL TYPE: ALUMINUM

MATERIAL THICKNESS: .062"



ACCRA-FAB INC.

23201 E. APPLEWAY DRIVE
LIBERTY LAKE, WA 99019
PHONE: (509) 922-3300
FAX: (509) 892-5984



TOOL TYPE: ROUND F/U EMBOSS (1 1/4" STATION)

WILSON TOOL NUMBER: 92-2266

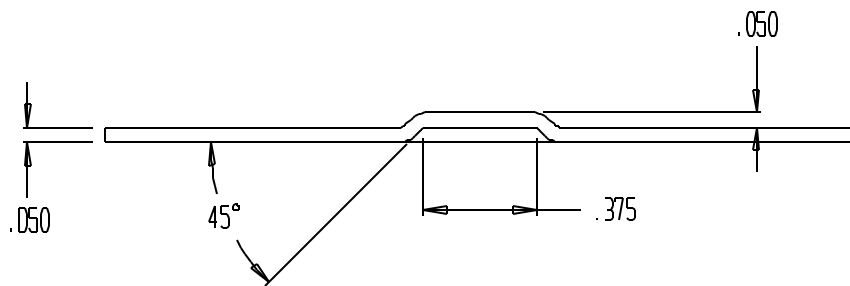
MATERIAL TYPE: ALUMINUM

MATERIAL THICKNESS: .062"



ACCRA-FAB INC.

23201 E. APPLEWAY DRIVE
LIBERTY LAKE, WA 99019
PHONE: (509) 922-3300
FAX: (509) 892-5984



TOOL TYPE: ROUND F/U EMBOSS (1 1/4" STATION)

WILSON TOOL NUMBER: 92-5201

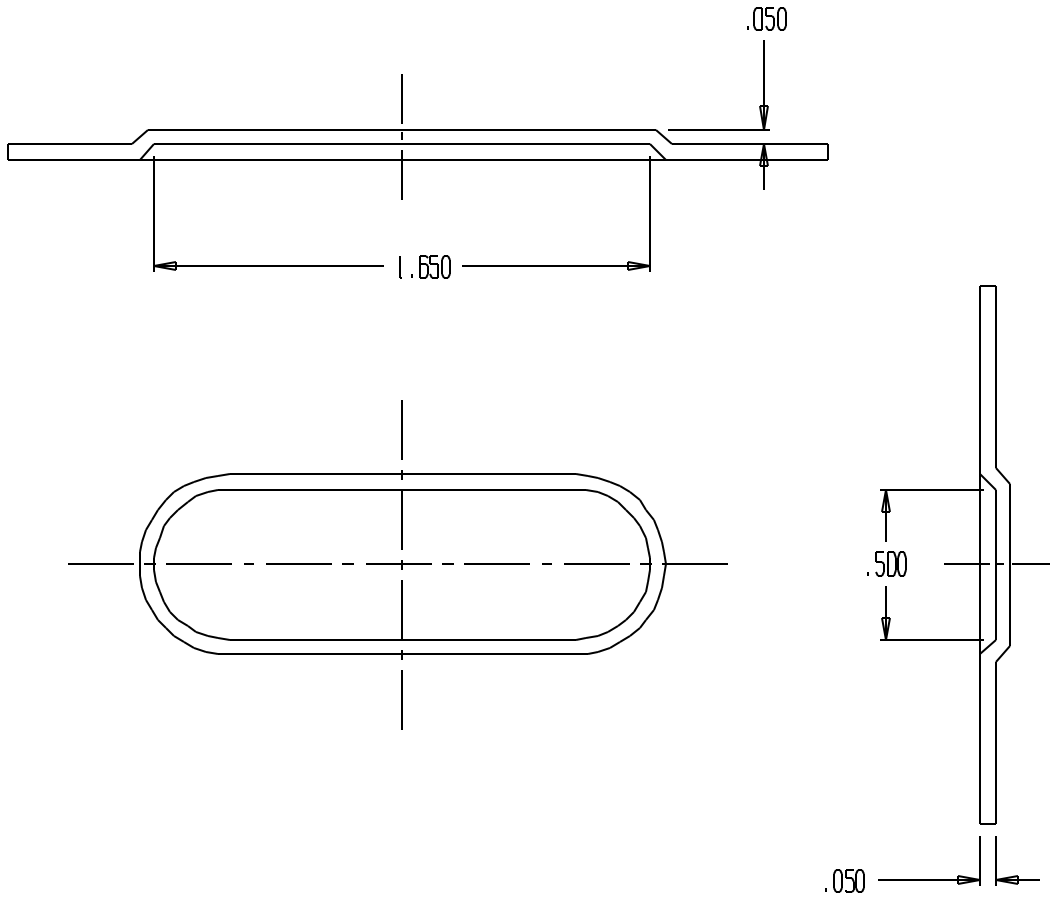
MATERIAL TYPE: ALUMINUM

MATERIAL THICKNESS: .050"



ACCRA-FAB INC.

23201 E. APPLEWAY DRIVE
LIBERTY LAKE, WA 99019
PHONE: (509) 922-3300
FAX: (509) 892-5984



TOOL TYPE: OBRROUND F/U EMBOSS (2" STATION)

WILSON TOOL NUMBER: 92-5203

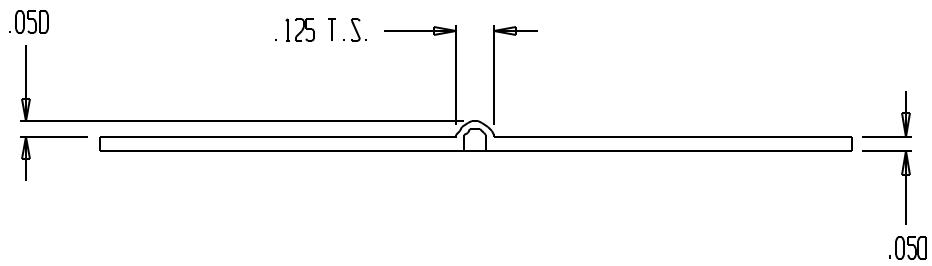
MATERIAL TYPE: ALUMINUM

MATERIAL THICKNESS: .050"



ACCRA-FAB INC.

23201 E. APPLEWAY DRIVE
LIBERTY LAKE, WA 99019
PHONE: (509) 922-3300
FAX: (509) 892-5984



TOOL TYPE: ROUND F/U DIMPLE (1/2" STATION)

WILSON TOOL NUMBER: 92-6604

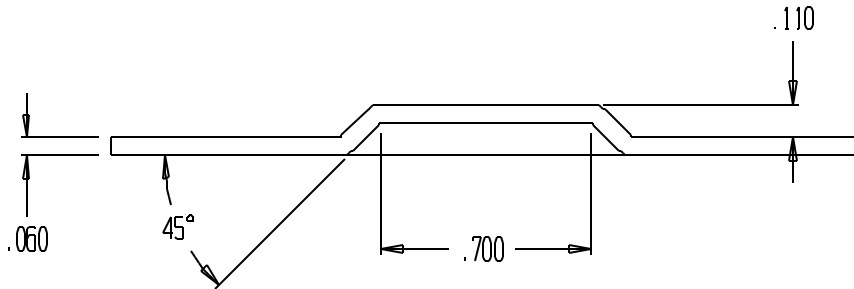
MATERIAL TYPE: ALUMINUM

MATERIAL THICKNESS: .050"



ACCRA-FAB INC.

23201 E. APPLEWAY DRIVE
LIBERTY LAKE, WA 99019
PHONE: (509) 922-3300
FAX: (509) 892-5984



TOOL TYPE: ROUND F/U EMBOSS (1 1/4" STATION)

WILSON TOOL NUMBER: 92-7906

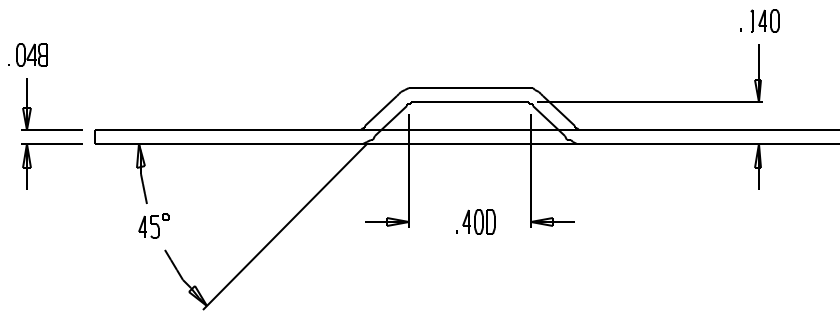
MATERIAL TYPE: CRS

MATERIAL THICKNESS: .048"



ACCRA-FAB INC.

23201 E. APPLEWAY DRIVE
LIBERTY LAKE, WA 99019
PHONE: (509) 922-3300
FAX: (509) 892-5984



TOOL TYPE: ROUND F/U EMBOSS (1 1/4" STATION)

WILSON TOOL NUMBER: 200-1955

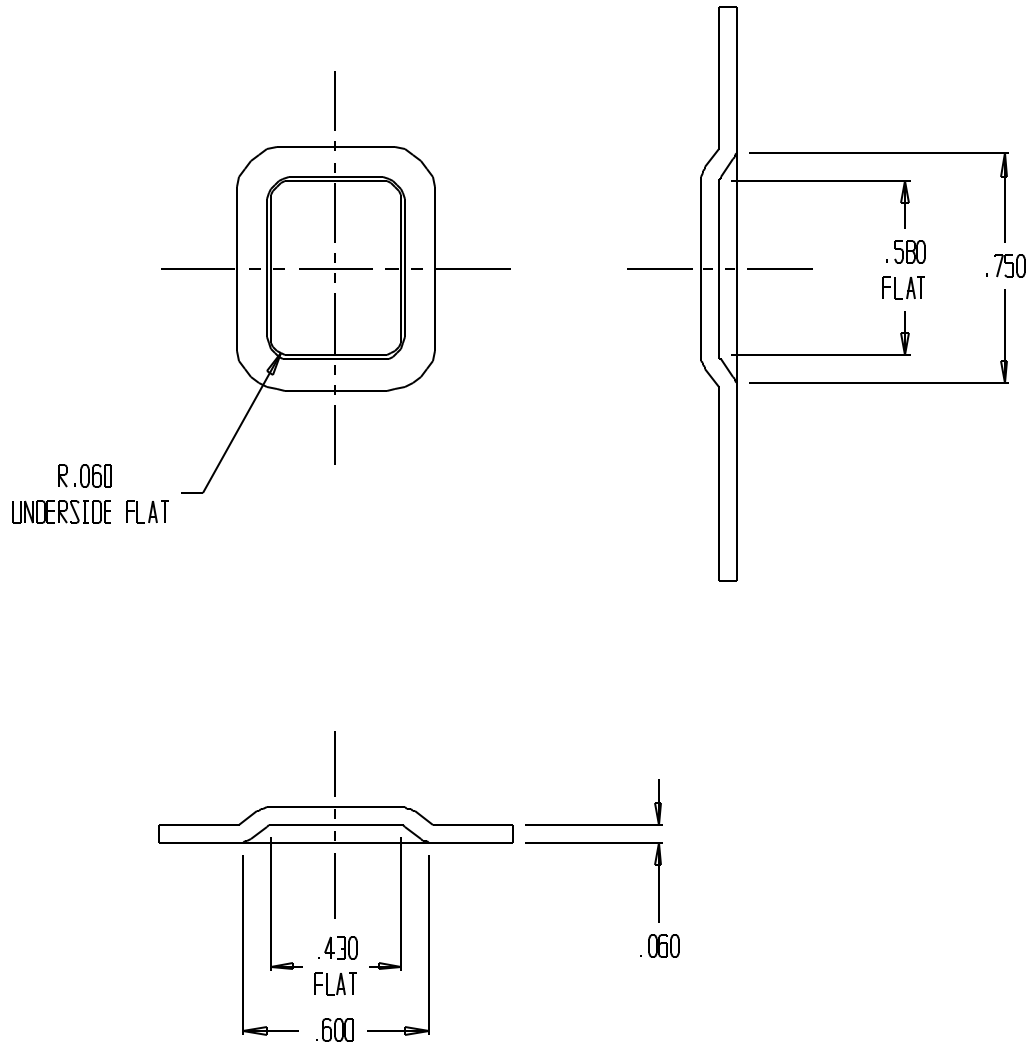
MATERIAL TYPE: CRS

MATERIAL THICKNESS: .048"



ACCRA-FAB INC.

23201 E. APPLEWAY DRIVE
LIBERTY LAKE, WA 99019
PHONE: (509) 922-3300
FAX: (509) 892-5984



TOOL TYPE: RECTANGLE F/U EMBOSS (1 1/4" STATION)

WILSON TOOL NUMBER: 200-2100

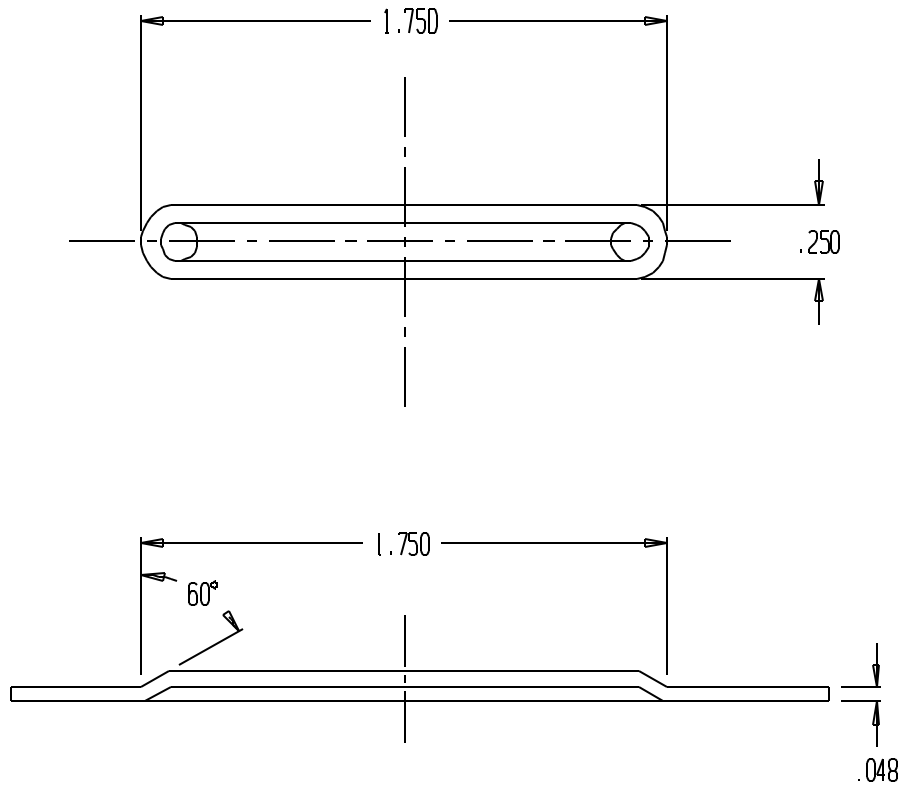
MATERIAL TYPE: CRS

MATERIAL THICKNESS: .060"



ACCRA-FAB INC.

23201 E. APPLEWAY DRIVE
LIBERTY LAKE, WA 99019
PHONE: (509) 922-3300
FAX: (509) 892-5984



TOOL TYPE: OBROUND F/U EMBOSS (3 1/2" STATION)

WILSON TOOL NUMBER: 200-3660

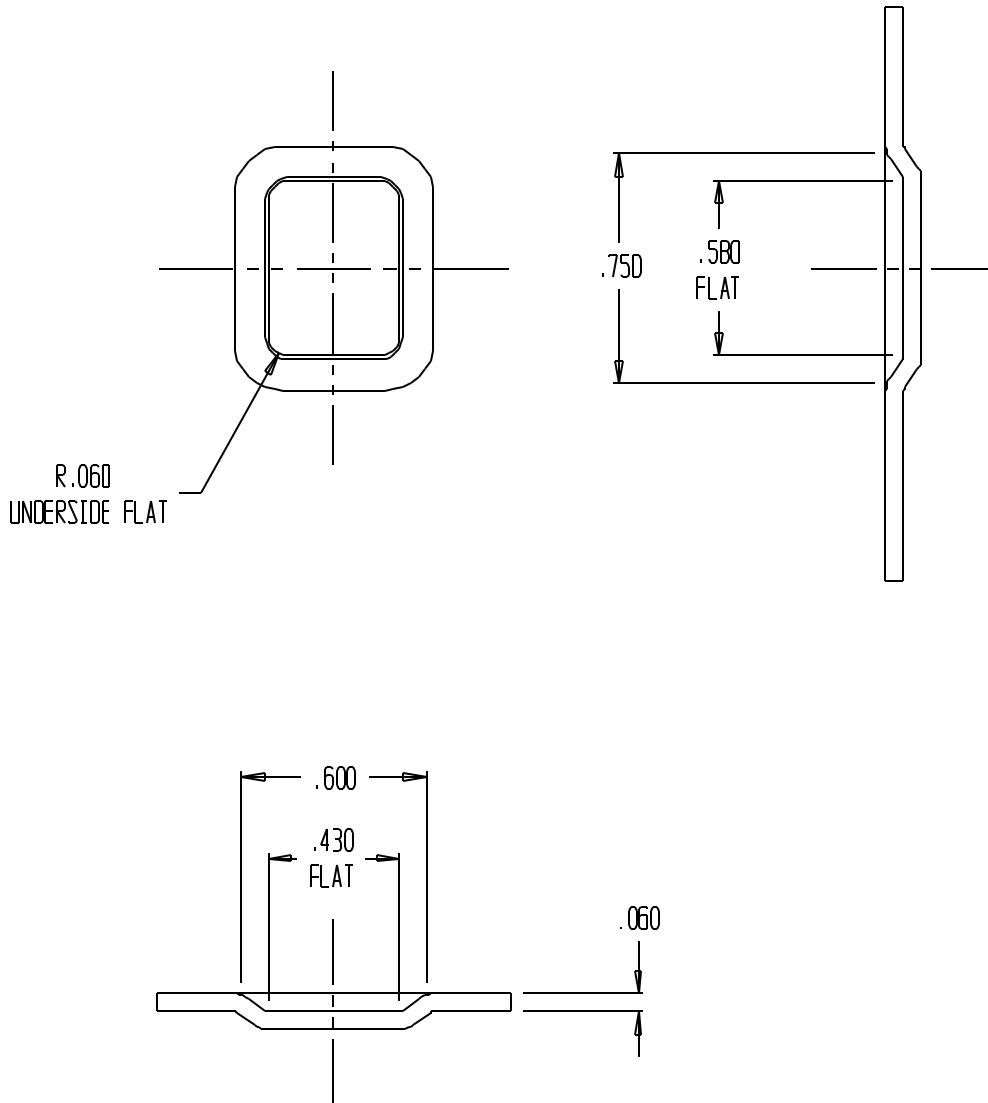
MATERIAL TYPE: CRS

MATERIAL THICKNESS: .048"



ACCRA-FAB INC.

23201 E. APPLEWAY DRIVE
LIBERTY LAKE, WA 99019
PHONE: (509) 922-3300
FAX: (509) 892-5984



TOOL TYPE: RECTANGLE F/D EMBOSS (1 1/4" STATION)

WILSON TOOL NUMBER: 200-7804

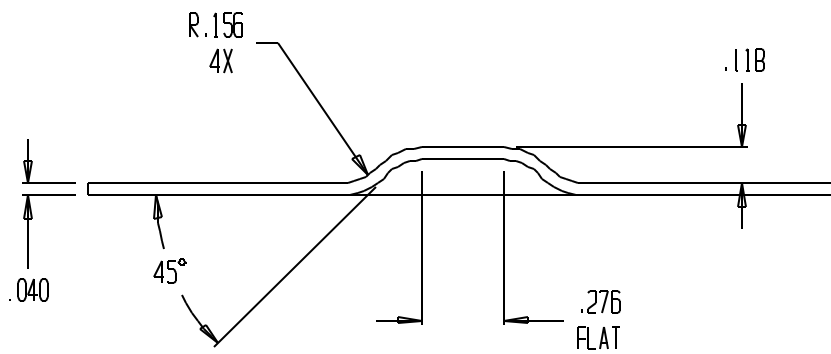
MATERIAL TYPE: CRS

MATERIAL THICKNESS: .060"



ACCRA-FAB INC.

23201 E. APPLEWAY DRIVE
LIBERTY LAKE, WA 99019
PHONE: (509) 922-3300
FAX: (509) 892-5984



TOOL TYPE: ROUND F/U EMBOSS (1 1/4" STATION)

WILSON TOOL NUMBER: 201-0741

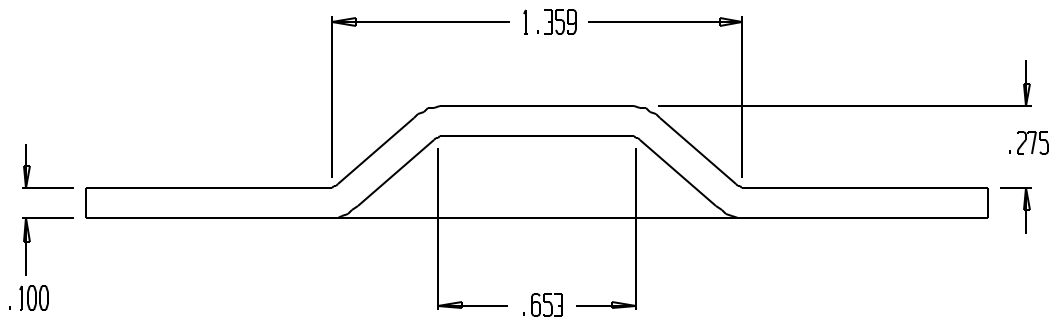
MATERIAL TYPE: ALUMINUM

MATERIAL THICKNESS: .040"



ACCRA-FAB INC.

23201 E. APPLEWAY DRIVE
LIBERTY LAKE, WA 99019
PHONE: (509) 922-3300
FAX: (509) 892-5984



TOOL TYPE: ROUND F/U EMBOSS (3 1/2" STATION)

WILSON TOOL NUMBER: 201-2165

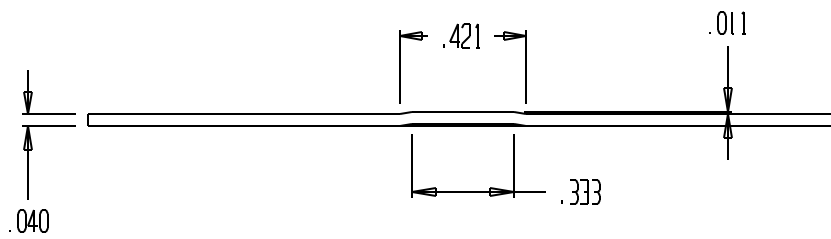
MATERIAL TYPE: ALUMINUM

MATERIAL THICKNESS: .100"



ACCRA-FAB INC.

23201 E. APPLEWAY DRIVE
LIBERTY LAKE, WA 99019
PHONE: (509) 922-3300
FAX: (509) 892-5984



TOOL TYPE: ROUND F/U EMBOSS (1 1/4" STATION)

WILSON TOOL NUMBER: 201-5513

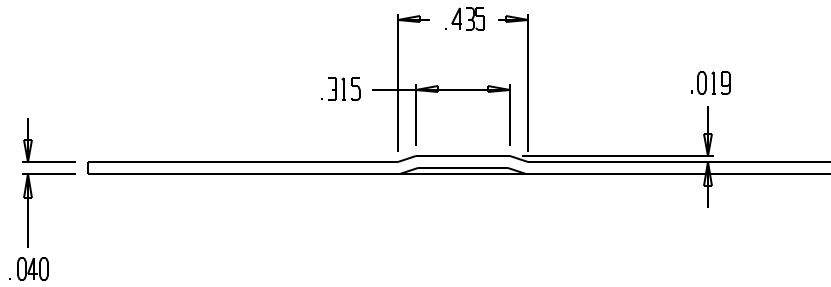
MATERIAL TYPE: ALUMINUM

MATERIAL THICKNESS: .040"



ACCRA-FAB INC.

23201 E. APPLEWAY DRIVE
LIBERTY LAKE, WA 99019
PHONE: (509) 922-3300
FAX: (509) 892-5984



TOOL TYPE: ROUND F/U EMBOSS (1 1/4" STATION)

WILSON TOOL NUMBER: 201-5514

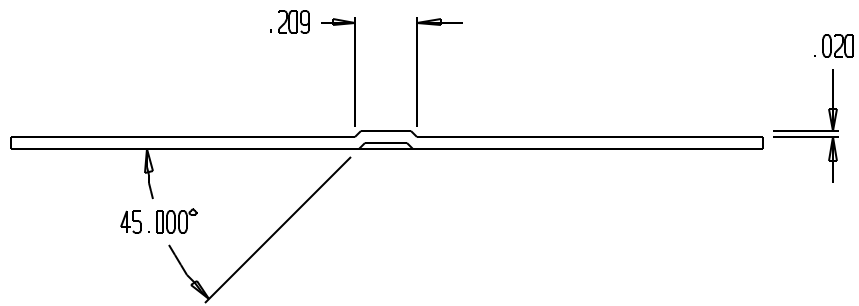
MATERIAL TYPE: ALUMINUM

MATERIAL THICKNESS: .040"



ACCRA-FAB INC.

23201 E. APPLEWAY DRIVE
LIBERTY LAKE, WA 99019
PHONE: (509) 922-3300
FAX: (509) 892-5984



TOOL TYPE: ROUND F/U EMBOSS (1 1/4" STATION)

WILSON TOOL NUMBER: 201-5515

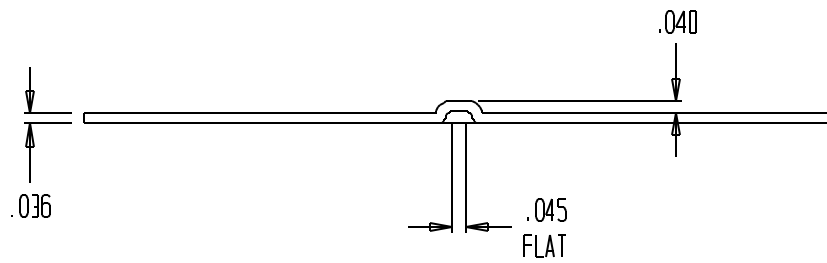
MATERIAL TYPE: ALUMINUM

MATERIAL THICKNESS: .040"



ACCRA-FAB INC.

23201 E. APPLEWAY DRIVE
LIBERTY LAKE, WA 99019
PHONE: (509) 922-3300
FAX: (509) 892-5984



TOOL TYPE: ROUND F/U EMBOSS (1 1/4" STATION)

WILSON TOOL NUMBER: 201-6467

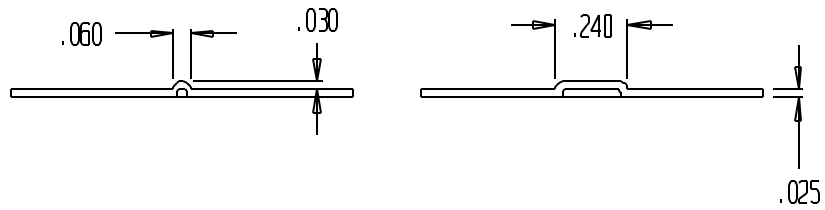
MATERIAL TYPE: CRS

MATERIAL THICKNESS: .036"



ACCRA-FAB INC.

23201 E. APPLEWAY DRIVE
LIBERTY LAKE, WA 99019
PHONE: (509) 922-3300
FAX: (509) 892-5984



TOOL TYPE: OBROUND F/U EMBOSS (1 1/4" STATION)

WILSON TOOL NUMBER: 202-3916

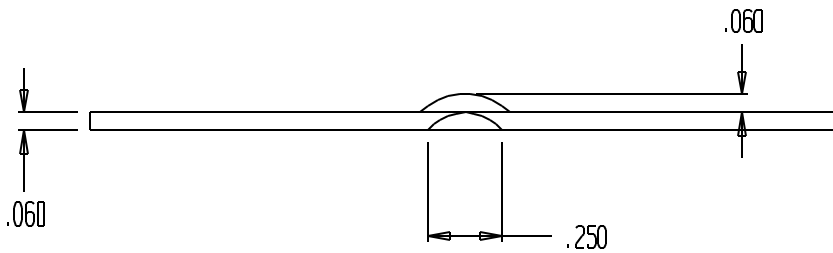
MATERIAL TYPE: ALUMINUM

MATERIAL THICKNESS: .025"



ACCRA-FAB INC.

23201 E. APPLEWAY DRIVE
LIBERTY LAKE, WA 99019
PHONE: (509) 922-3300
FAX: (509) 892-5984



TOOL TYPE: ROUND F/U EMBOSS (1 1/4" STATION)

WILSON TOOL NUMBER: 202-5229

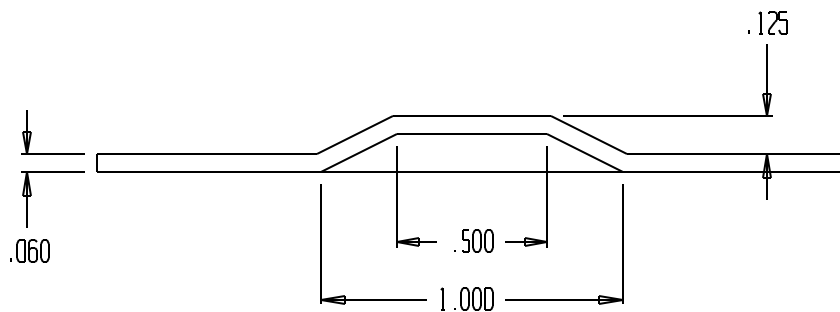
MATERIAL TYPE: ALUMINUM

MATERIAL THICKNESS: .060"



ACCRA-FAB INC.

23201 E. APPLEWAY DRIVE
LIBERTY LAKE, WA 99019
PHONE: (509) 922-3300
FAX: (509) 892-5984



TOOL TYPE: ROUND F/U EMBOSS (1 1/4" STATION)

WILSON TOOL NUMBER: 203-5292

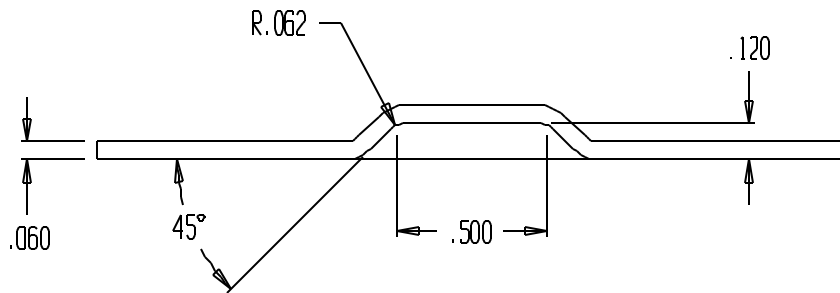
MATERIAL TYPE: CRS

MATERIAL THICKNESS: .060"



ACCRA-FAB INC.

23201 E. APPLEWAY DRIVE
LIBERTY LAKE, WA 99019
PHONE: (509) 922-3300
FAX: (509) 892-5984



TOOL TYPE: ROUND F/U EMBOSS (1 1/4" STATION)

WILSON TOOL NUMBER: 203-6813

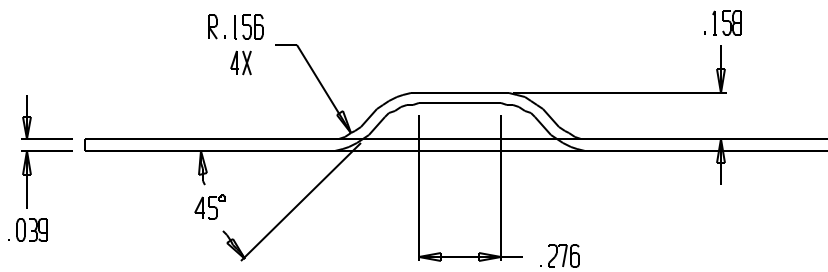
MATERIAL TYPE: ALUMINUM

MATERIAL THICKNESS: .060"



ACCRA-FAB INC.

23201 E. APPLEWAY DRIVE
LIBERTY LAKE, WA 99019
PHONE: (509) 922-3300
FAX: (509) 892-5984



TOOL TYPE: ROUND F/U EMBOSS (1 1/4" STATION)

WILSON TOOL NUMBER: 203-6814

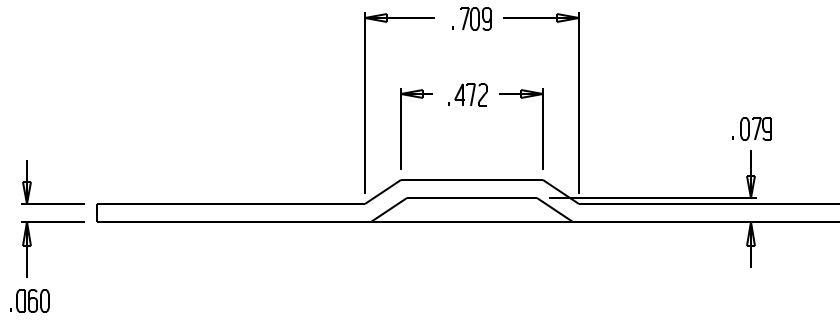
MATERIAL TYPE: ALUMINUM

MATERIAL THICKNESS: .039"



ACCRA-FAB INC.

23201 E. APPLEWAY DRIVE
LIBERTY LAKE, WA 99019
PHONE: (509) 922-3300
FAX: (509) 892-5984



TOOL TYPE: ROUND F/U EMBOSS (1 1/4" STATION)

WILSON TOOL NUMBER: 203-6815

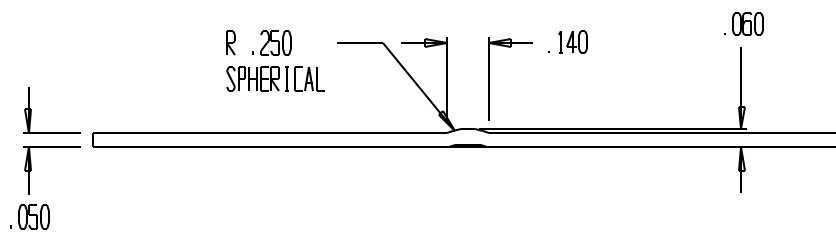
MATERIAL TYPE: ALUMINUM

MATERIAL THICKNESS: .060"



ACCRA-FAB INC.

23201 E. APPLEWAY DRIVE
LIBERTY LAKE, WA 99019
PHONE: (509) 922-3300
FAX: (509) 892-5984



TOOL TYPE: ROUND F/U EMBOSS (1 1/4" STATION)

WILSON TOOL NUMBER: 207-2586

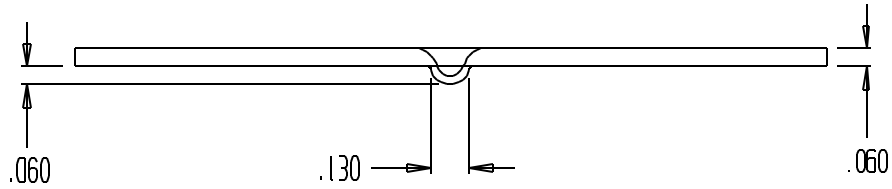
MATERIAL TYPE: ALUMINUM

MATERIAL THICKNESS: .050"



ACCRA-FAB INC.

23201 E. APPLEWAY DRIVE
LIBERTY LAKE, WA 99019
PHONE: (509) 922-3300
FAX: (509) 892-5984



TOOL TYPE: ROUND F/O DIMPLE (1/2" STATION)

WILSON TOOL NUMBER: 208-2427 & 211-4402

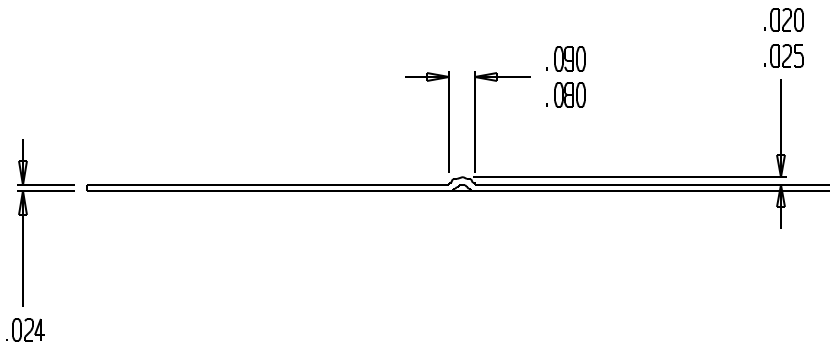
MATERIAL TYPE: ALUMINUM

MATERIAL THICKNESS: .060"



ACCRA-FAB INC.

23201 E. APPLEWAY DRIVE
LIBERTY LAKE, WA 99019
PHONE: (509) 922-3300
FAX: (509) 892-5984



TOOL TYPE: ROUND F/U DIMPLE (1 1/4" STATION)

WILSON TOOL NUMBER: 209-8818

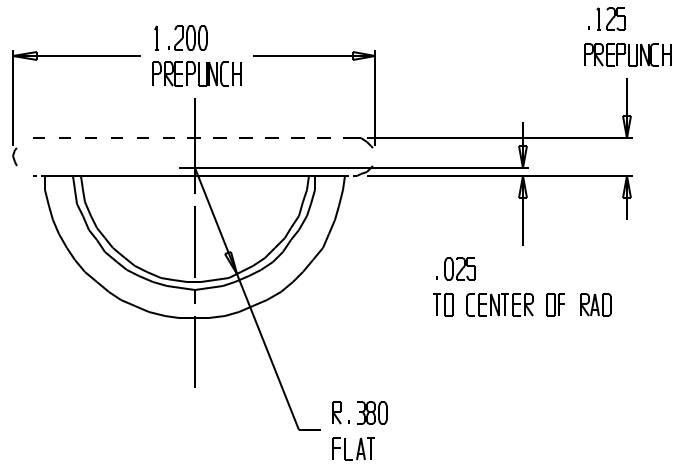
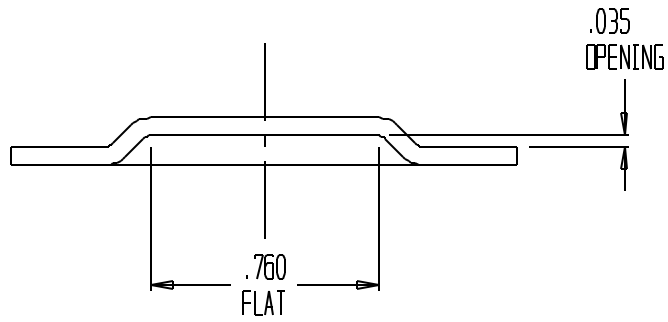
MATERIAL TYPE: CRS

MATERIAL THICKNESS: .024"



ACCRA-FAB INC.

23201 E. APPLEWAY DRIVE
LIBERTY LAKE, WA 99019
PHONE: (509) 922-3300
FAX: (509) 892-5984



TOOL TYPE: F/U EMBOSS (1 1/4" STATION)

WILSON TOOL NUMBER: 210-9644

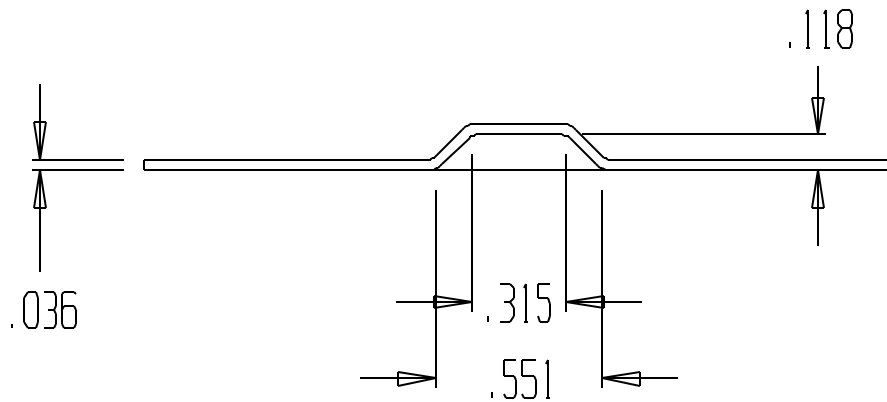
MATERIAL TYPE: CRS

MATERIAL THICKNESS: .060"



ACCRA-FAB INC.

23201 E. APPLEWAY DRIVE
LIBERTY LAKE, WA 99019
PHONE: (509) 922-3300
FAX: (509) 892-5984



TOOL TYPE: ROUND F/U EMBOSS (1 1/4" STATION)

WILSON TOOL NUMBER: 210-9646

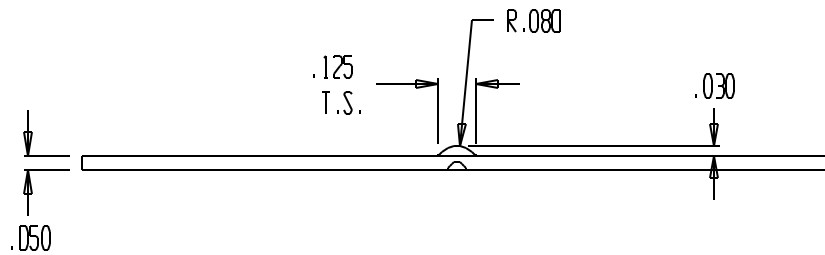
MATERIAL TYPE: CRS

MATERIAL THICKNESS: .036"



ACCRA-FAB INC.

23201 E. APPLEWAY DRIVE
LIBERTY LAKE, WA 99019
PHONE: (509) 922-3300
FAX: (509) 892-5984



TOOL TYPE: ROUND F/U DIMPLE (1 1/4" STATION)

WILSON TOOL NUMBER: 212-8067

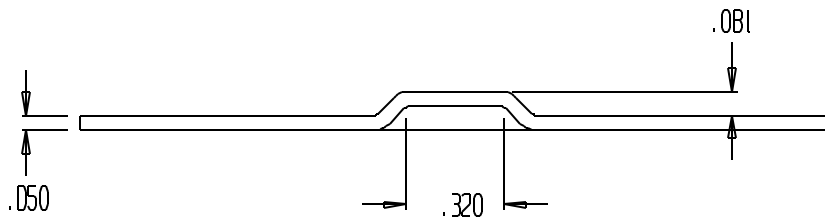
MATERIAL TYPE: ALUM

MATERIAL THICKNESS: .050"



ACCRA-FAB INC.

23201 E. APPLEWAY DRIVE
LIBERTY LAKE, WA 99019
PHONE: (509) 922-3300
FAX: (509) 892-5984



TOOL TYPE: ROUND F/U EMBOSS (1 1/4" STATION)

WILSON TOOL NUMBER: 212-8068

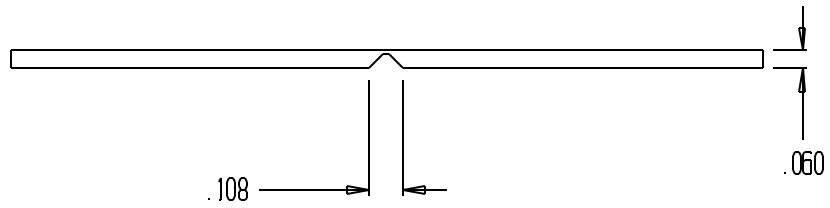
MATERIAL TYPE: ALUM

MATERIAL THICKNESS: .050"



ACCRA-FAB INC.

23201 E. APPLEWAY DRIVE
LIBERTY LAKE, WA 99019
PHONE: (509) 922-3300
FAX: (509) 892-5984



TOOL TYPE: ROUND F/U DIMPLE (1 1/4" STATION)

WILSON TOOL NUMBER: 203-8042

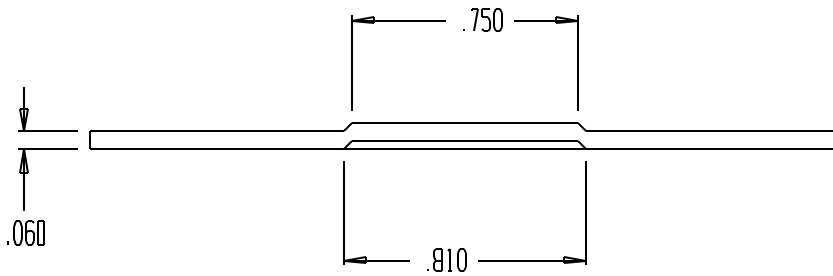
MATERIAL TYPE: ALUMINUM

MATERIAL THICKNESS: .060"



ACCRA-FAB INC.

23201 E. APPLEWAY DRIVE
LIBERTY LAKE, WA 99019
PHONE: (509) 922-3300
FAX: (509) 892-5984



TOOL TYPE: ROUND F/U EMBOSS (1 1/4" STATION)

WILSON TOOL NUMBER: 202-5229

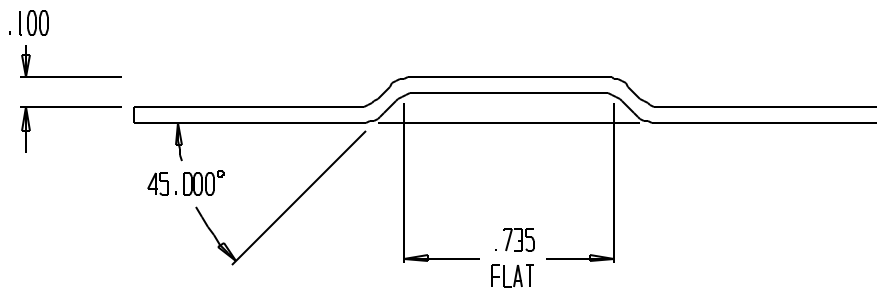
MATERIAL TYPE: ALUMINUM

MATERIAL THICKNESS: .060"



ACCRA-FAB INC.

23201 E. APPLEWAY DRIVE
LIBERTY LAKE, WA 99019
PHONE: (509) 922-3300
FAX: (509) 892-5984



TOOL TYPE: ROUND F/U EMBOSS (1 1/4" STATION)

WILSON TOOL NUMBER: 120081-10

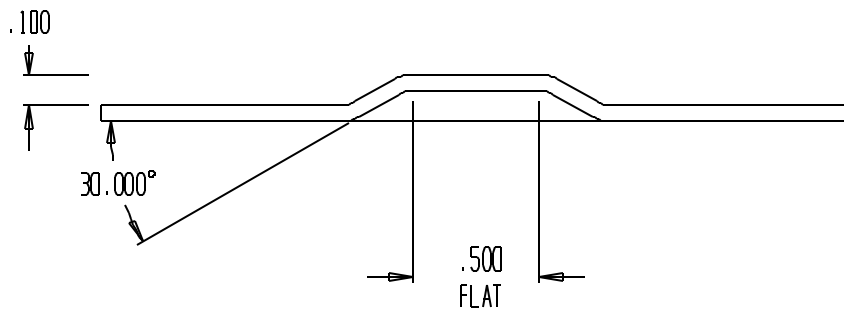
MATERIAL TYPE: ALUMINUM

MATERIAL THICKNESS: .050"



ACCRA-FAB INC.

23201 E. APPLEWAY DRIVE
LIBERTY LAKE, WA 99019
PHONE: (509) 922-3300
FAX: (509) 892-5984



TOOL TYPE: ROUND F/U EMBOSS (1 1/4" STATION)

WILSON TOOL NUMBER: 120085-10

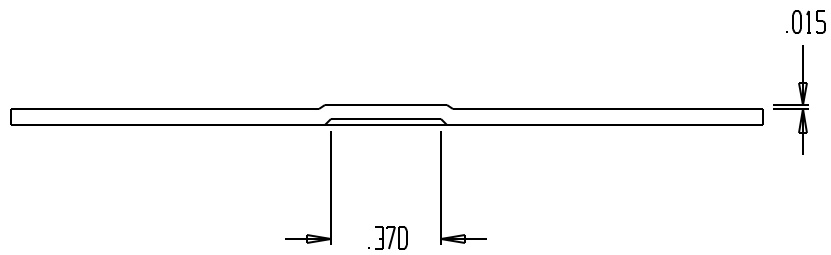
MATERIAL TYPE: ALUMINUM

MATERIAL THICKNESS: .050"



ACCRA-FAB INC.

23201 E. APPLEWAY DRIVE
LIBERTY LAKE, WA 99019
PHONE: (509) 922-3300
FAX: (509) 892-5984



TOOL TYPE: ROUND F/U EMBOSS (1 1/4" STATION)

WILSON TOOL NUMBER: 136466-10

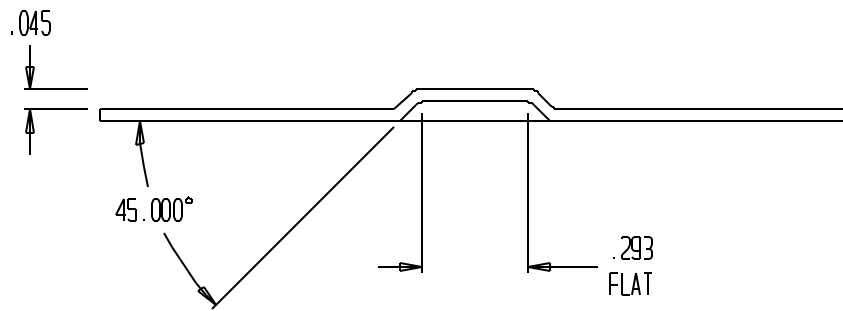
MATERIAL TYPE: ALUMINUM

MATERIAL THICKNESS: .050"



ACCRA-FAB INC.

23201 E. APPLEWAY DRIVE
LIBERTY LAKE, WA 99019
PHONE: (509) 922-3300
FAX: (509) 892-5984



TOOL TYPE: ROUND F/U EMBOSS (1 1/4" STATION)

WILSON TOOL NUMBER: 138623-10

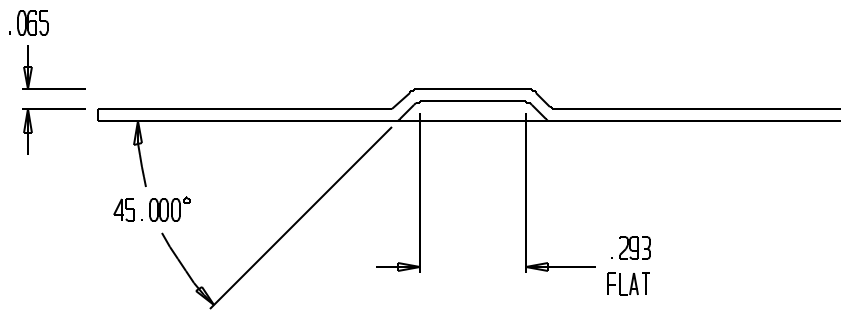
MATERIAL TYPE: GALVANIZED

MATERIAL THICKNESS: .040"



ACCRA-FAB INC.

23201 E. APPLEWAY DRIVE
LIBERTY LAKE, WA 99019
PHONE: (509) 922-3300
FAX: (509) 892-5984



TOOL TYPE: ROUND F/U EMBOSS (1 1/4" STATION)

WILSON TOOL NUMBER: 138623-20

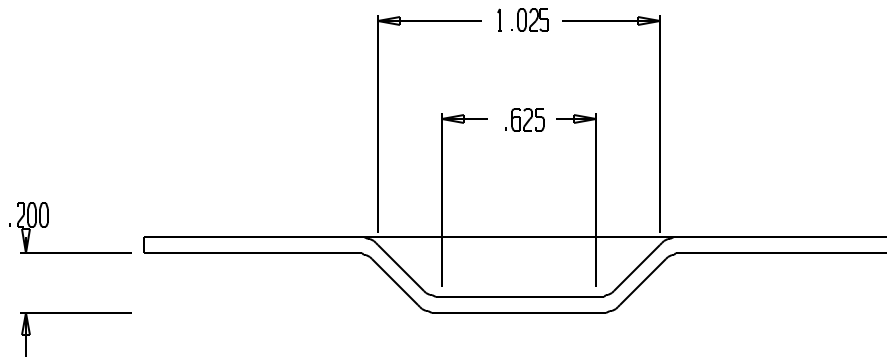
MATERIAL TYPE: GALVANIZED

MATERIAL THICKNESS: .040"



ACCRA-FAB INC.

23201 E. APPLEWAY DRIVE
LIBERTY LAKE, WA 99019
PHONE: (509) 922-3300
FAX: (509) 892-5984



TOOL TYPE: ROUND F/O EMBOSS (1 1/4" STATION)

WILSON TOOL NUMBER: 351267-10

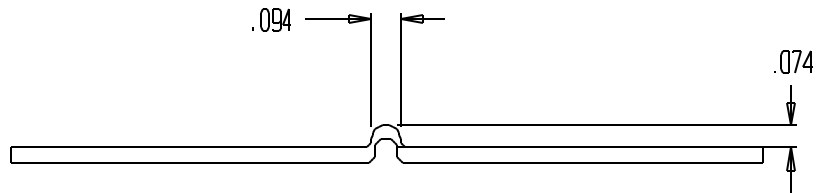
MATERIAL TYPE: ALUMINUM

MATERIAL THICKNESS: .050"



ACCRA-FAB INC.

23201 E. APPLEWAY DRIVE
LIBERTY LAKE, WA 99019
PHONE: (509) 922-3300
FAX: (509) 892-5984



TOOL TYPE: ROUND F/U DIMPLE (1 1/4" STATION)

WILSON TOOL NUMBER: 363586-10

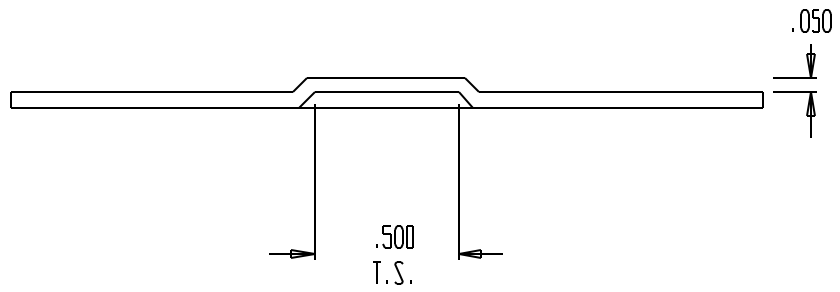
MATERIAL TYPE: GALVANIZED

MATERIAL THICKNESS: .036"



ACCRA-FAB INC.

23201 E. APPLEWAY DRIVE
LIBERTY LAKE, WA 99019
PHONE: (509) 922-3300
FAX: (509) 892-5984



TOOL TYPE: ROUND F/U EMBOSS (1 1/4" STATION)

WILSON TOOL NUMBER: 364343-10

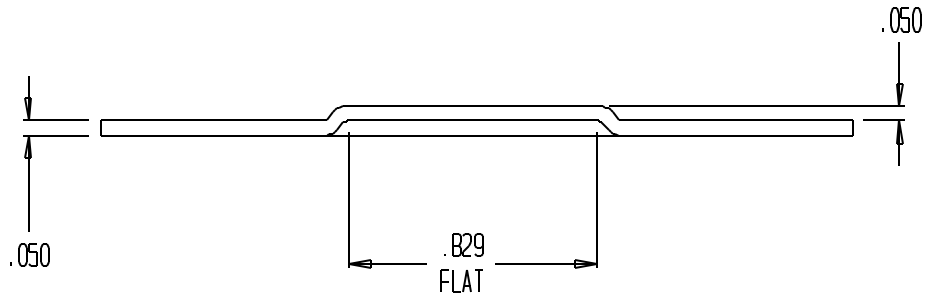
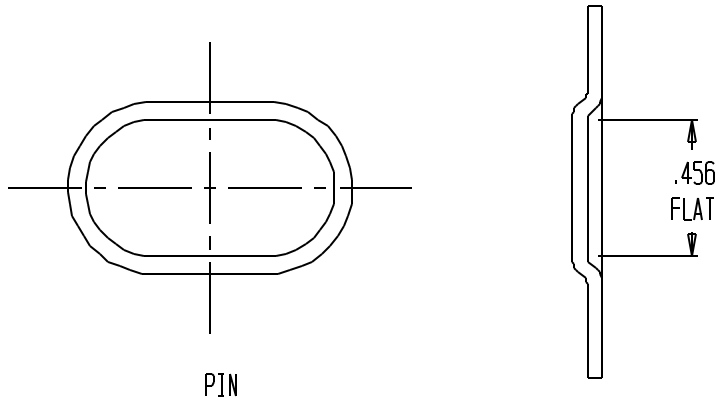
MATERIAL TYPE: ALUMINUM

MATERIAL THICKNESS: .050"



ACCRA-FAB INC.

23201 E. APPLEWAY DRIVE
LIBERTY LAKE, WA 99019
PHONE: (509) 922-3300
FAX: (509) 892-5984



TOOL TYPE: OBROUND F/U EMBOSS (1 1/4" STATION)

WILSON TOOL NUMBER: 384340-30

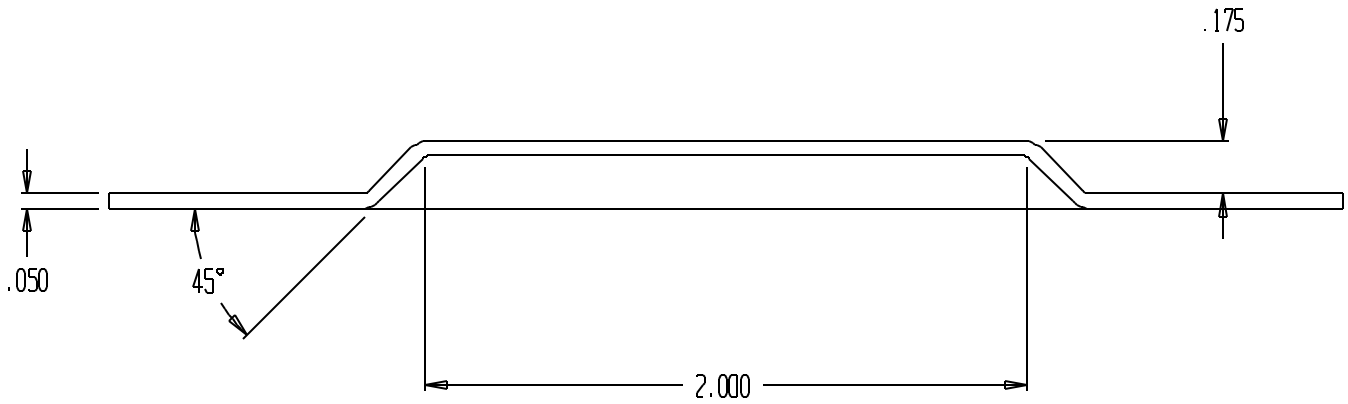
MATERIAL TYPE: ALUM

MATERIAL THICKNESS: .050"



ACCRA-FAB INC.

23201 E. APPLEWAY DRIVE
LIBERTY LAKE, WA 99019
PHONE: (509) 922-3300
FAX: (509) 892-5984



TOOL TYPE: ROUND F/U EMBOSS (3 1/2" STATION)

WILSON TOOL NUMBER: 403050-20

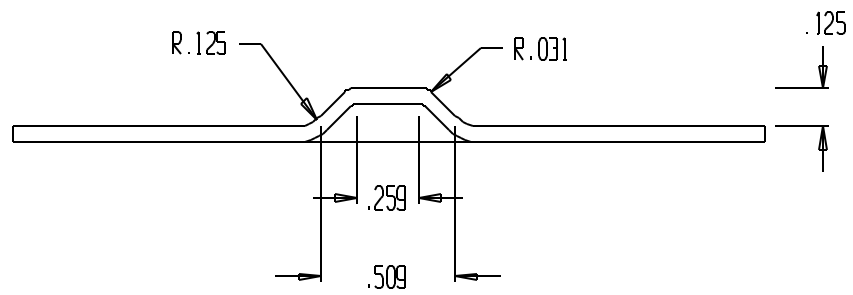
MATERIAL TYPE: ALUMINUM

MATERIAL THICKNESS: .050"



ACCRA-FAB INC.

23201 E. APPLEWAY DRIVE
LIBERTY LAKE, WA 99019
PHONE: (509) 922-3300
FAX: (509) 892-5984



TOOL TYPE: ROUND F/U EMBOSS (1 1/4" STATION)

WILSON TOOL NUMBER: 411207-10

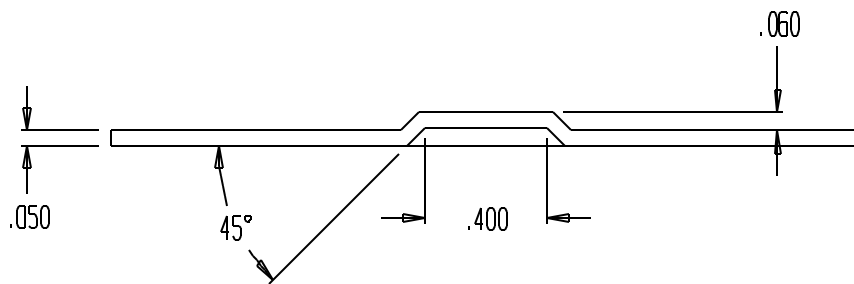
MATERIAL TYPE: ALUMINUM

MATERIAL THICKNESS: .050"



ACCRA-FAB INC.

23201 E. APPLEWAY DRIVE
LIBERTY LAKE, WA 99019
PHONE: (509) 922-3300
FAX: (509) 892-5984



TOOL TYPE: ROUND F/U EMBOSS (1 1/4" STATION)

WILSON TOOL NUMBER: 414909-10

MATERIAL TYPE: ALUMINUM

MATERIAL THICKNESS: .050"



ACCRA-FAB INC.

23201 E. APPLEWAY DRIVE
LIBERTY LAKE, WA 99019
PHONE: (509) 922-3300
FAX: (509) 892-5984