

TOOL TYPE: CURVED RECTANGLE

WILSON TOOL NUMBER: 61-2091

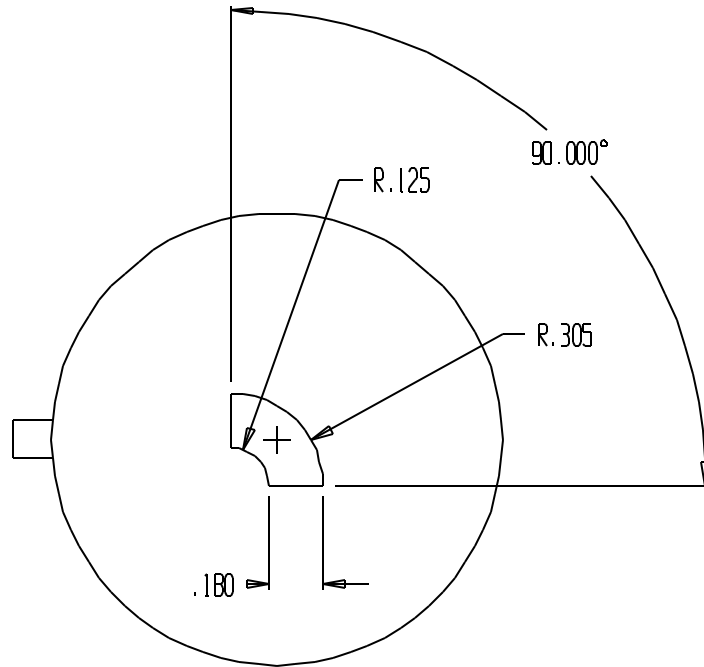
MATERIAL TYPE: ALL

MATERIAL THICKNESS: .060" - .080"



ACCRA-FAB INC.

23201 E. APPLEWAY DRIVE  
LIBERTY LAKE, WA 99019  
PHONE: (509) 922-3300  
FAX: (509) 892-5984



TOOL TYPE: CURVED RECTANGLE

WILSON TOOL NUMBER: 82-5759

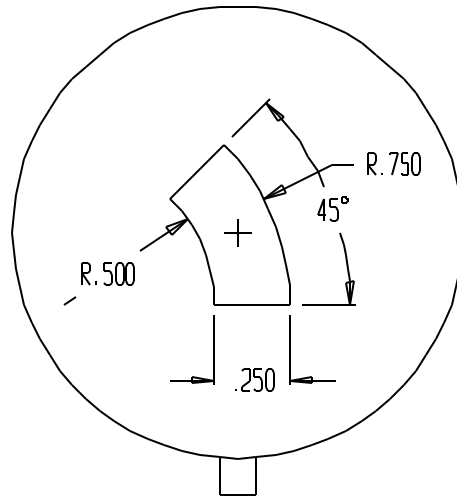
MATERIAL TYPE: ALL

MATERIAL THICKNESS: .060" - .080"



ACCRA-FAB INC.

23201 E. APPLEWAY DRIVE  
LIBERTY LAKE, WA 99019  
PHONE: (509) 922-3300  
FAX: (509) 892-5984



TOOL TYPE: CURVED RECTANGLE

WILSON TOOL NUMBER: 82-5760

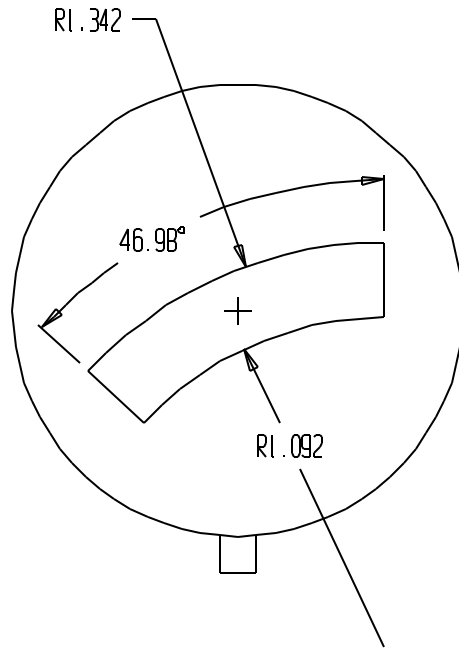
MATERIAL TYPE: ALL

MATERIAL THICKNESS: .060" - .080"



ACCRA-FAB INC.

23201 E. APPLEWAY DRIVE  
LIBERTY LAKE, WA 99019  
PHONE: (509) 922-3300  
FAX: (509) 892-5984



TOOL TYPE: CURVED RECTANGLE (1 1/4" STATION)

WILSON TOOL NUMBER: 83-1745

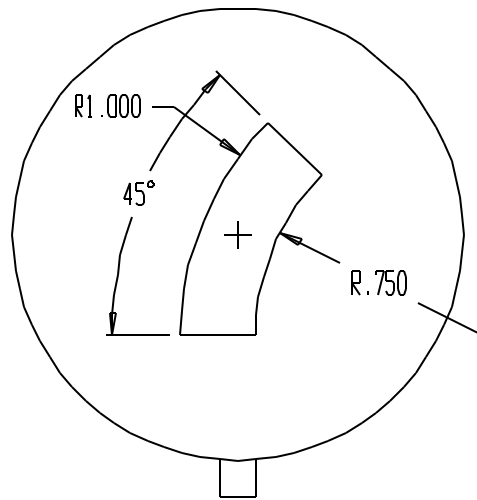
MATERIAL TYPE: ALL

MATERIAL THICKNESS: .060" - .080"



ACCRA-FAB INC.

23201 E. APPLEWAY DRIVE  
LIBERTY LAKE, WA 99019  
PHONE: (509) 922-3300  
FAX: (509) 892-5984



TOOL TYPE: CURVED RECTANGLE (1 1/4" STATION)

WILSON TOOL NUMBER: 86-6874

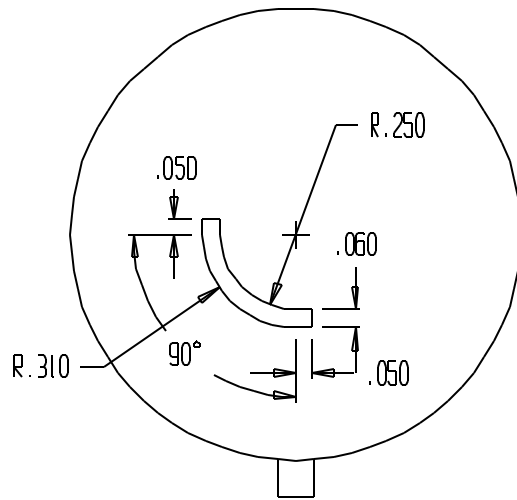
MATERIAL TYPE: ALL

MATERIAL THICKNESS: .060" - .080"



ACCRA-FAB INC.

23201 E. APPLEWAY DRIVE  
LIBERTY LAKE, WA 99019  
PHONE: (509) 922-3300  
FAX: (509) 892-5984



TOOL TYPE: CURVED RECTANGLE

WILSON TOOL NUMBER: 88-9264

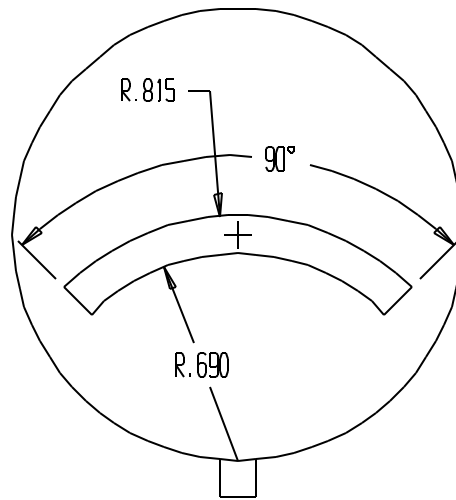
MATERIAL TYPE: ALL

MATERIAL THICKNESS: .060" - .080"



ACCRA-FAB INC.

23201 E. APPLEWAY DRIVE  
LIBERTY LAKE, WA 99019  
PHONE: (509) 922-3300  
FAX: (509) 892-5984



TOOL TYPE: CURVED RECTANGLE

WILSON TOOL NUMBER: 91-9139

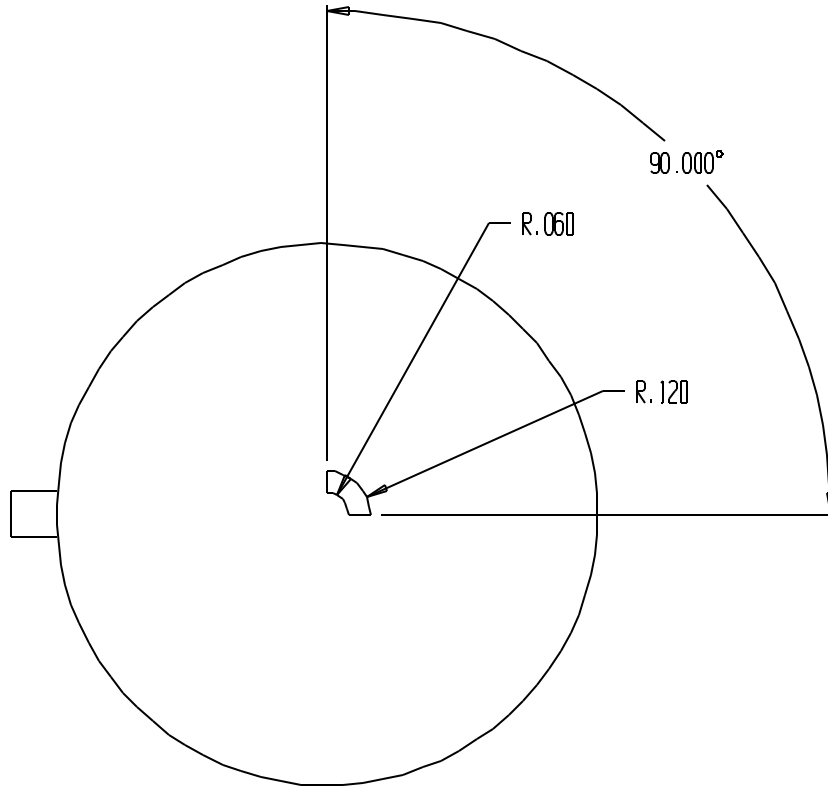
MATERIAL TYPE: ALL

MATERIAL THICKNESS: .060" - .080"



ACCRA-FAB INC.

23201 E. APPLEWAY DRIVE  
LIBERTY LAKE, WA 99019  
PHONE: (509) 922-3300  
FAX: (509) 892-5984



TOOL TYPE: CURVED RECTANGLE

WILSON TOOL NUMBER: 91-9777

MATERIAL TYPE: ALL

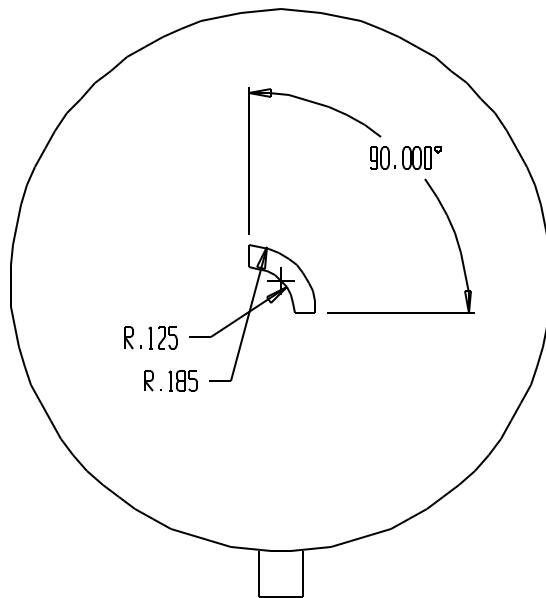
MATERIAL THICKNESS: .060" - .080"



ACCRA-FAB INC.

23201 E. APPLEWAY DRIVE  
LIBERTY LAKE, WA 99019  
PHONE: (509) 922-3300  
FAX: (509) 892-5984





TOOL TYPE: CURVED RECTANGLE

WILSON TOOL NUMBER: 93-8372

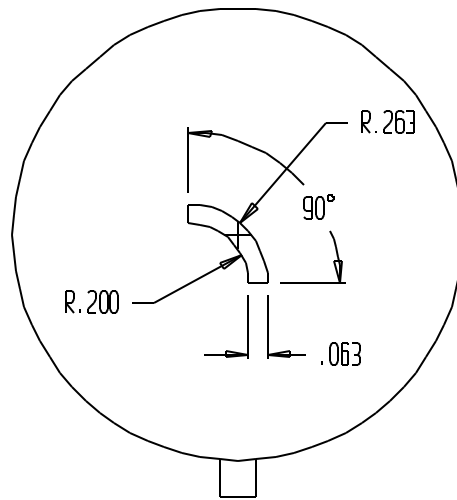
MATERIAL TYPE: ALL

MATERIAL THICKNESS: .060" - .080"



ACCRA-FAB INC.

23201 E. APPLEWAY DRIVE  
LIBERTY LAKE, WA 99019  
PHONE: (509) 922-3300  
FAX: (509) 892-5984



TOOL TYPE: CURVED RECTANGLE

WILSON TOOL NUMBER: 93-8894

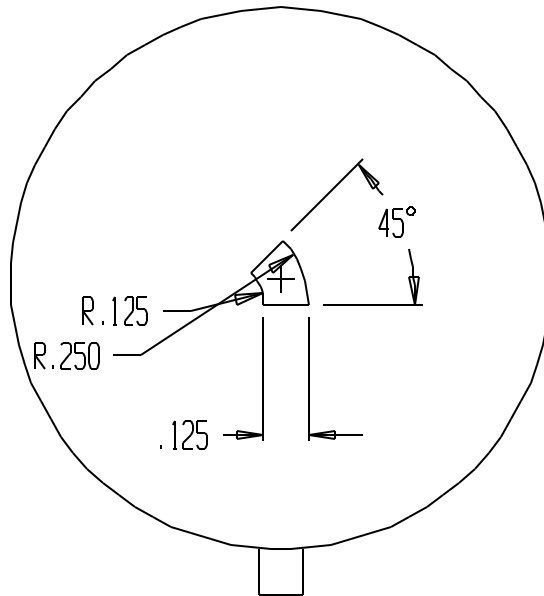
MATERIAL TYPE: ALL

MATERIAL THICKNESS: .060" - .080"



ACCRA-FAB INC.

23201 E. APPLEWAY DRIVE  
LIBERTY LAKE, WA 99019  
PHONE: (509) 922-3300  
FAX: (509) 892-5984



TOOL TYPE: CURVED RECTANGLE

WILSON TOOL NUMBER: 94-3033

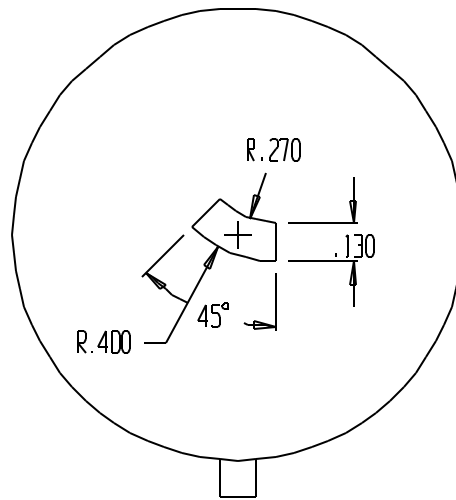
MATERIAL TYPE: ALL

MATERIAL THICKNESS: .060" - .080"



ACCRA-FAB INC.

23201 E. APPLEWAY DRIVE  
LIBERTY LAKE, WA 99019  
PHONE: (509) 922-3300  
FAX: (509) 892-5984



TOOL TYPE: CURVED RECTANGLE

WILSON TOOL NUMBER: 94-3640

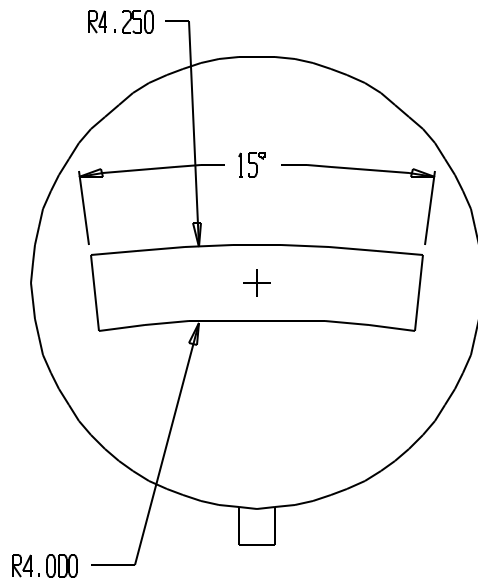
MATERIAL TYPE: ALL

MATERIAL THICKNESS: .060" - .080"



ACCRA-FAB INC.

23201 E. APPLEWAY DRIVE  
LIBERTY LAKE, WA 99019  
PHONE: (509) 922-3300  
FAX: (509) 892-5984



TOOL TYPE: CURVED RECTANGLE (1 1/4" STATION)

WILSON TOOL NUMBER: 94-4776

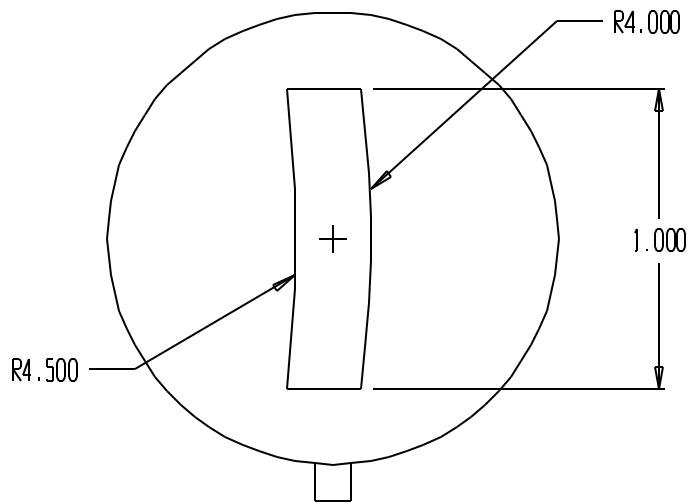
MATERIAL TYPE: ALL

MATERIAL THICKNESS: .060" - .080"



ACCRA-FAB INC.

23201 E. APPLEWAY DRIVE  
LIBERTY LAKE, WA 99019  
PHONE: (509) 922-3300  
FAX: (509) 892-5984



TOOL TYPE: CURVED RECTANGLE (1 1/4" STATION)

WILSON TOOL NUMBER: 201-1099

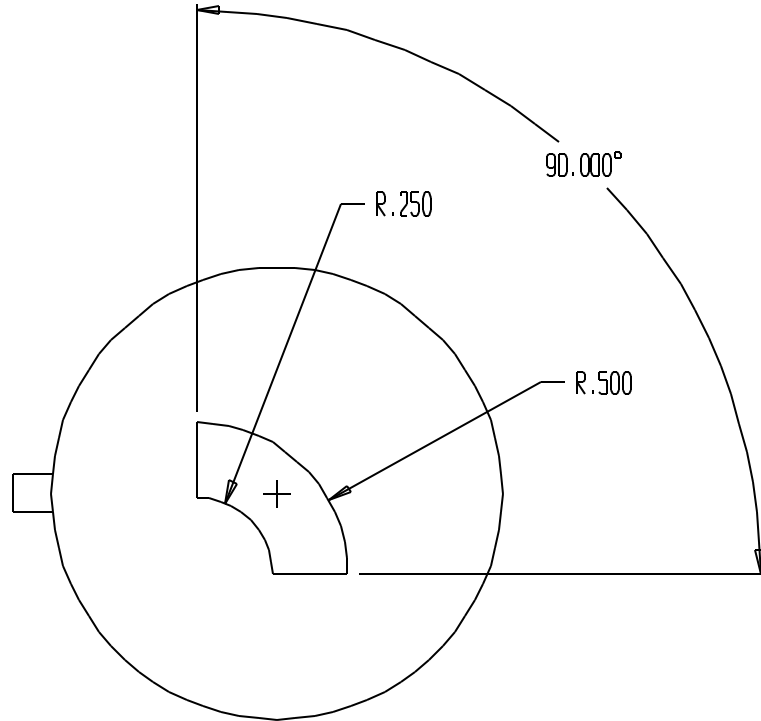
MATERIAL TYPE: ALL

MATERIAL THICKNESS: .060" - .080"



ACCRA-FAB INC.

23201 E. APPLEWAY DRIVE  
LIBERTY LAKE, WA 99019  
PHONE: (509) 922-3300  
FAX: (509) 892-5984



TOOL TYPE: CURVED RECTANGLE

WILSON TOOL NUMBER: 201-4686

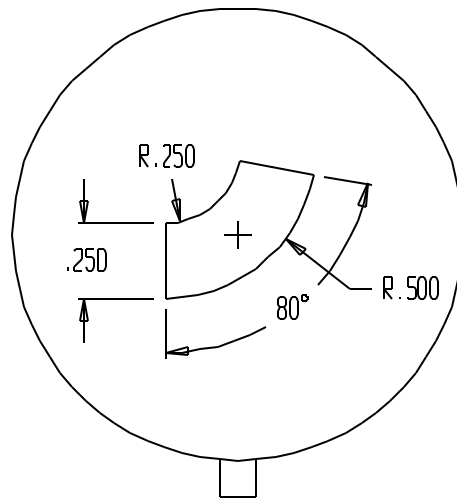
MATERIAL TYPE: ALL

MATERIAL THICKNESS: .060" - .080"



ACCRA-FAB INC.

23201 E. APPLEWAY DRIVE  
LIBERTY LAKE, WA 99019  
PHONE: (509) 922-3300  
FAX: (509) 892-5984



TOOL TYPE: CURVED RECTANGLE

WILSON TOOL NUMBER: 201-9592

MATERIAL TYPE: ALL

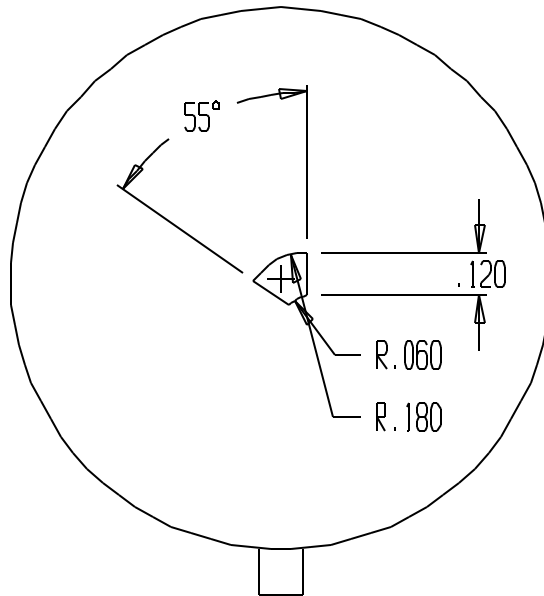
MATERIAL THICKNESS: .060" - .080"



ACCRA-FAB INC.

23201 E. APPLEWAY DRIVE  
LIBERTY LAKE, WA 99019  
PHONE: (509) 922-3300  
FAX: (509) 892-5984





TOOL TYPE: CURVED RECTANGLE

WILSON TOOL NUMBER: 202-5742

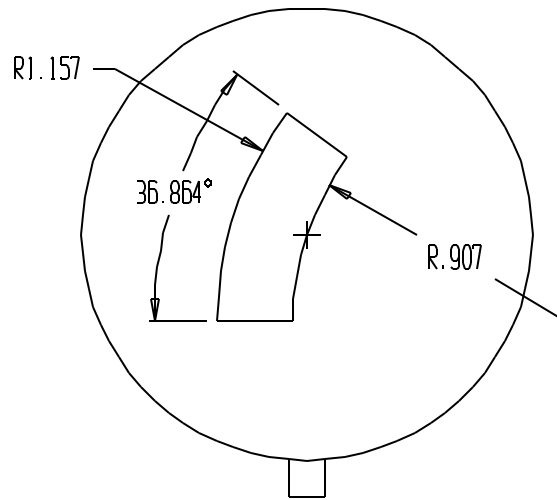
MATERIAL TYPE: ALL

MATERIAL THICKNESS: .060" - .080"



ACCRA-FAB INC.

23201 E. APPLEWAY DRIVE  
LIBERTY LAKE, WA 99019  
PHONE: (509) 922-3300  
FAX: (509) 892-5984



TOOL TYPE: CURVED RECTANGLE (1 1/4" STATION)

WILSON TOOL NUMBER: 202-6275

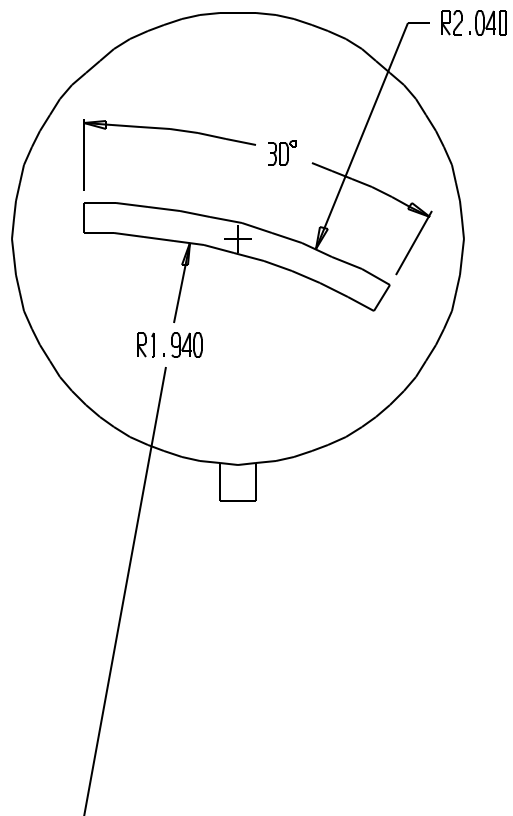
MATERIAL TYPE: ALL

MATERIAL THICKNESS: .060" - .080"



ACCRA-FAB INC.

23201 E. APPLEWAY DRIVE  
LIBERTY LAKE, WA 99019  
PHONE: (509) 922-3300  
FAX: (509) 892-5984



TOOL TYPE: CURVED RECTANGLE (1 1/4" STATION)

WILSON TOOL NUMBER: 203-3616

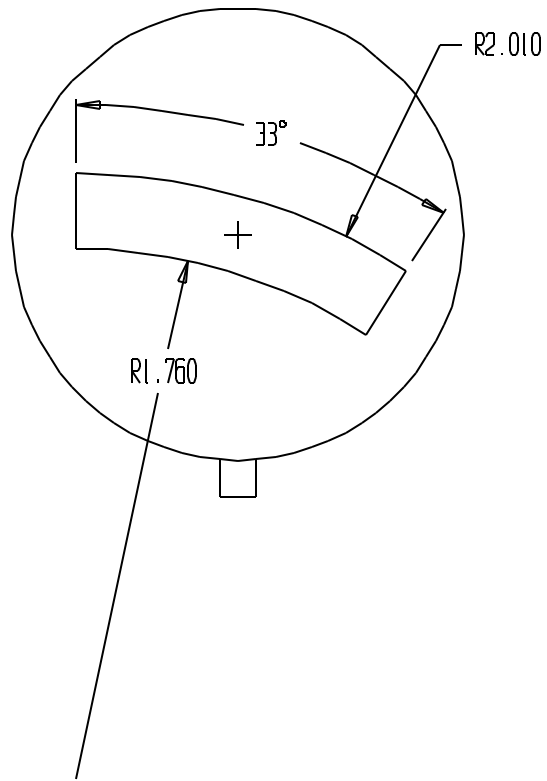
MATERIAL TYPE: ALL

MATERIAL THICKNESS: .060" - .080"



ACCRA-FAB INC.

23201 E. APPLEWAY DRIVE  
LIBERTY LAKE, WA 99019  
PHONE: (509) 922-3300  
FAX: (509) 892-5984



TOOL TYPE: CURVED RECTANGLE (1 1/4" STATION)

WILSON TOOL NUMBER: 203-7788

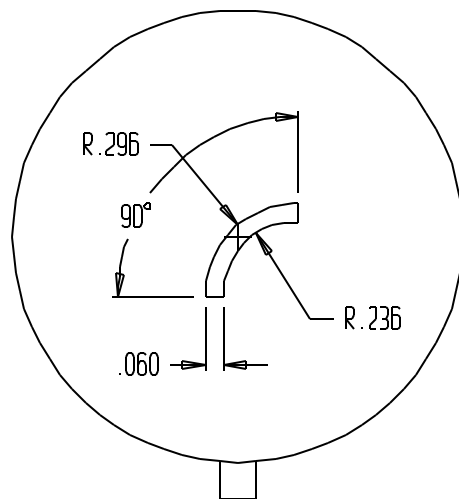
MATERIAL TYPE: ALL

MATERIAL THICKNESS: .060" - .080"



ACCRA-FAB INC.

23201 E. APPLEWAY DRIVE  
LIBERTY LAKE, WA 99019  
PHONE: (509) 922-3300  
FAX: (509) 892-5984



TOOL TYPE: CURVED RECTANGLE

WILSON TOOL NUMBER: 204-0792

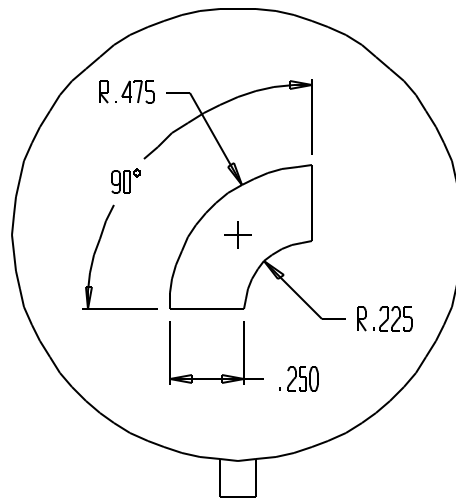
MATERIAL TYPE: ALL

MATERIAL THICKNESS: .060" - .080"



ACCRA-FAB INC.

23201 E. APPLEWAY DRIVE  
LIBERTY LAKE, WA 99019  
PHONE: (509) 922-3300  
FAX: (509) 892-5984



TOOL TYPE: CURVED RECTANGLE

WILSON TOOL NUMBER: 204-2765

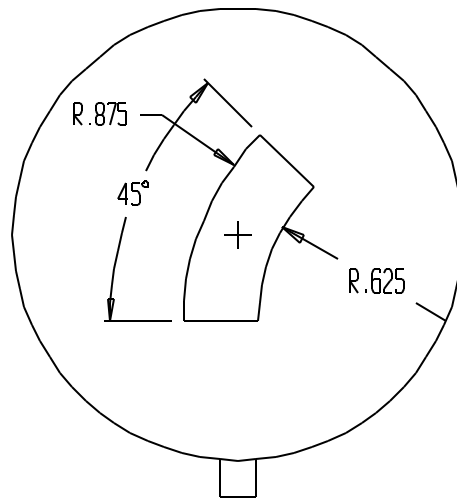
MATERIAL TYPE: ALL

MATERIAL THICKNESS: .060" - .080"



ACCRA-FAB INC.

23201 E. APPLEWAY DRIVE  
LIBERTY LAKE, WA 99019  
PHONE: (509) 922-3300  
FAX: (509) 892-5984



TOOL TYPE: CURVED RECTANGLE

WILSON TOOL NUMBER: 205-6473

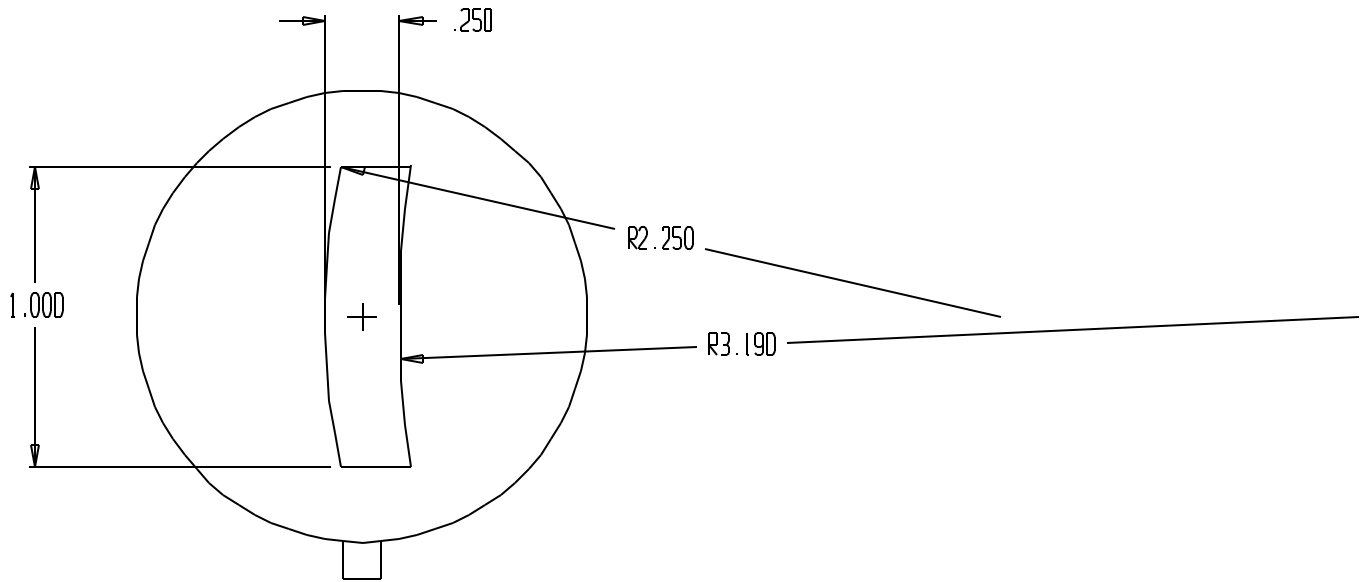
MATERIAL TYPE: ALL

MATERIAL THICKNESS: .060" - .080"



ACCRA-FAB INC.

23201 E. APPLEWAY DRIVE  
LIBERTY LAKE, WA 99019  
PHONE: (509) 922-3300  
FAX: (509) 892-5984



TOOL TYPE: CURVED RECTANGLE (1 1/4" STATION)

WILSON TOOL NUMBER: 206-5D10

MATERIAL TYPE: ALL

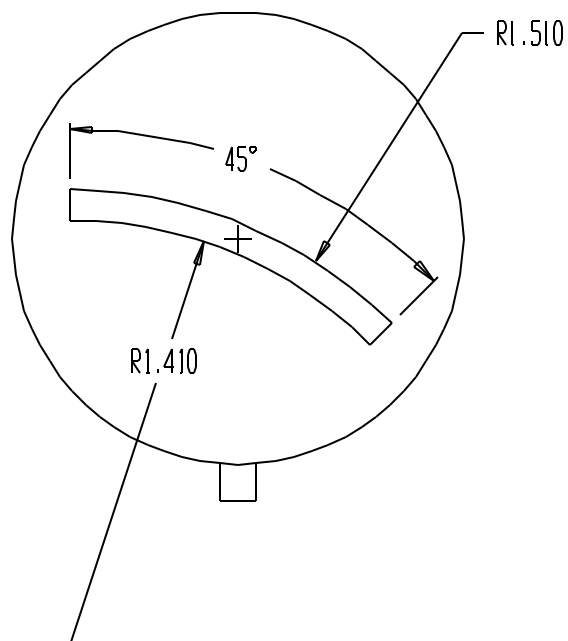
MATERIAL THICKNESS: .060" - .080"



ACCRA-FAB INC.

23201 E. APPLEWAY DRIVE  
LIBERTY LAKE, WA 99019  
PHONE: (509) 922-3300  
FAX: (509) 892-5984





TOOL TYPE: CURVED RECTANGLE (1 1/4" STATION)

WILSON TOOL NUMBER: 211-4B27

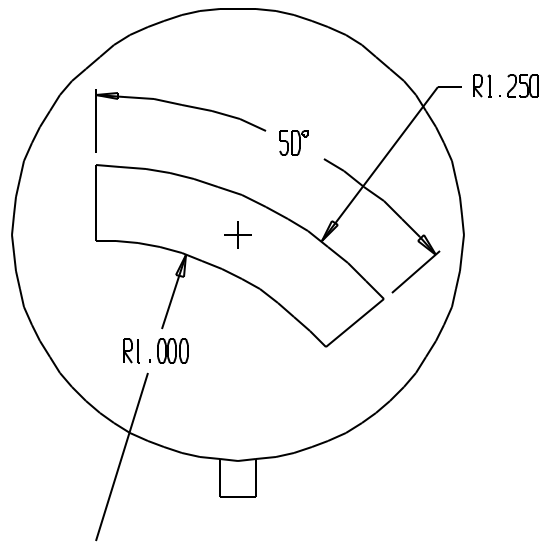
MATERIAL TYPE: ALL

MATERIAL THICKNESS: .060" - .080"



ACCRA-FAB INC.

23201 E. APPLEWAY DRIVE  
LIBERTY LAKE, WA 99019  
PHONE: (509) 922-3300  
FAX: (509) 892-5984



TOOL TYPE: CURVED RECTANGLE (1 1/4" STATION)

WILSON TOOL NUMBER: 213-6752

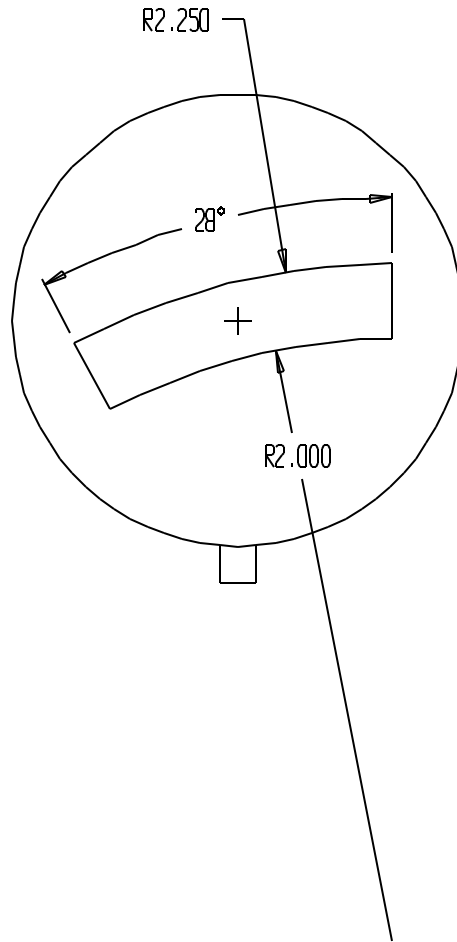
MATERIAL TYPE: ALL

MATERIAL THICKNESS: .060" - .080"



ACCRA-FAB INC.

23201 E. APPLEWAY DRIVE  
LIBERTY LAKE, WA 99019  
PHONE: (509) 922-3300  
FAX: (509) 892-5984



TOOL TYPE: CURVED RECTANGLE (1 1/4" STATION)

WILSON TOOL NUMBER: 23B-2605

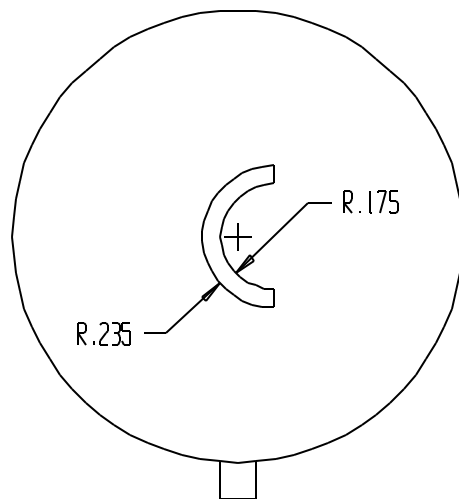
MATERIAL TYPE: ALL

MATERIAL THICKNESS: .060" - .080"



ACCRA-FAB INC.

23201 E. APPLEWAY DRIVE  
LIBERTY LAKE, WA 99019  
PHONE: (509) 922-3300  
FAX: (509) 892-5984



TOOL TYPE: CURVED RECTANGLE

WILSON TOOL NUMBER: 310971-20

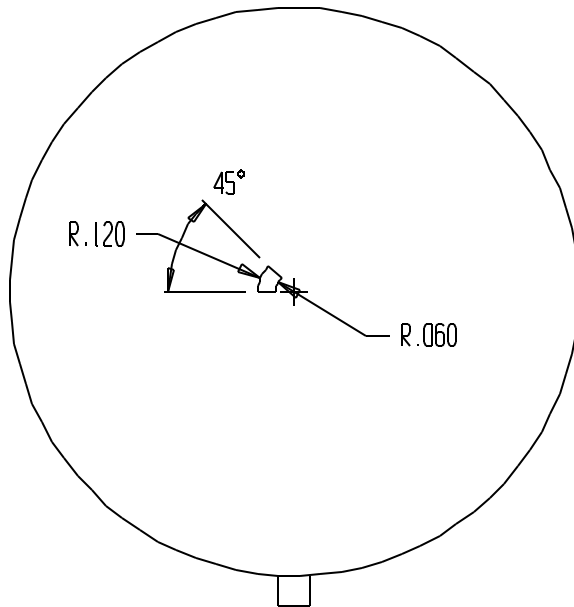
MATERIAL TYPE: ALL

MATERIAL THICKNESS: .060" - .080"



ACCRA-FAB INC.

23201 E. APPLEWAY DRIVE  
LIBERTY LAKE, WA 99019  
PHONE: (509) 922-3300  
FAX: (509) 892-5984



TOOL TYPE: CURVED RECTANGLE TOOL (1 1/4" STATION)

WILSON TOOL NUMBER: 86-6617

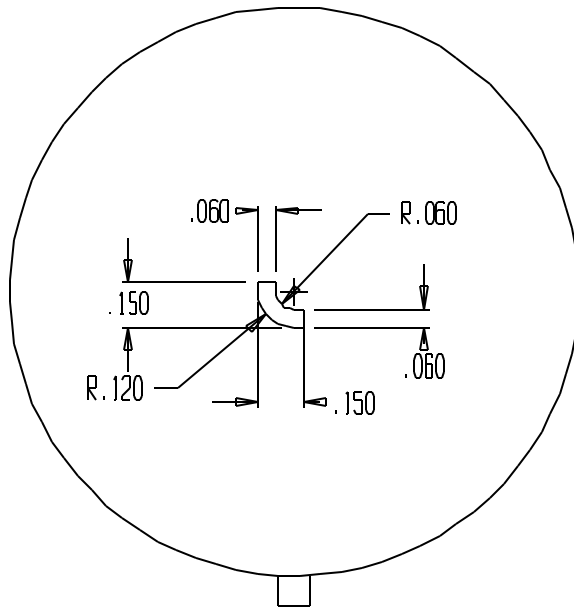
MATERIAL TYPE: ALL

MATERIAL THICKNESS: .048" - .090"



ACCRA-FAB INC.

23201 E. APPLEWAY DRIVE  
LIBERTY LAKE, WA 99019  
PHONE: (509) 922-3300  
FAX: (509) 892-5984



TOOL TYPE: CURVED RECTANGLE TOOL (1 1/4" STATION)

WILSON TOOL NUMBER: 88-3680

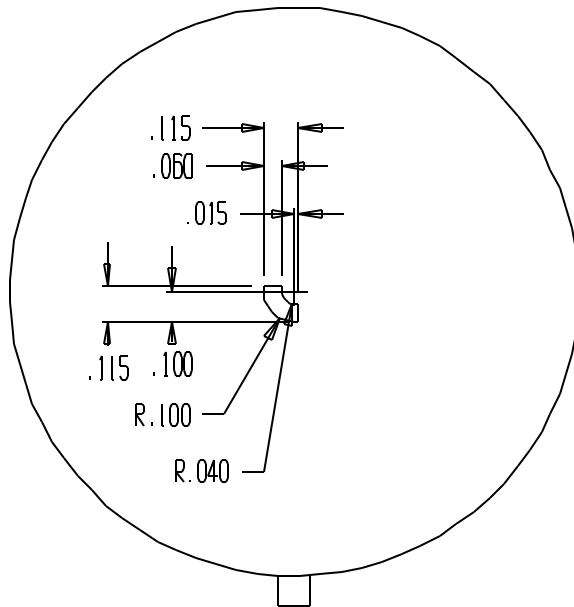
MATERIAL TYPE: ALL

MATERIAL THICKNESS: .048" - .090"



ACCRA-FAB INC.

23201 E. APPLEWAY DRIVE  
LIBERTY LAKE, WA 99019  
PHONE: (509) 922-3300  
FAX: (509) 892-5984



TOOL TYPE: CURVED RECTANGLE TOOL (1 1/4" STATION)

WILSON TOOL NUMBER: 89-2680

MATERIAL TYPE: ALL

MATERIAL THICKNESS: .048" - .090"



ACCRA-FAB INC.

23201 E. APPLEWAY DRIVE  
LIBERTY LAKE, WA 99019  
PHONE: (509) 922-3300  
FAX: (509) 892-5984