

TOOL TYPE: CLUSTER (1 1/4" STATION)

WILSON TOOL NUMBER: AF STANDARD

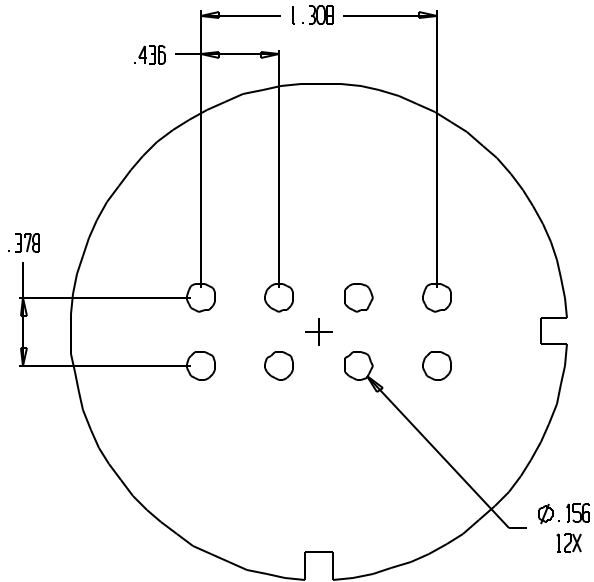
MATERIAL TYPE: ALL (LIMITED IN STAINLESS STEEL)

MATERIAL THICKNESS: .020" - .080"



ACCRA-FAB INC.

23201 E. APPLEWAY DRIVE
LIBERTY LAKE, WA 99019
PHONE: (509) 922-3300
FAX: (509) 892-5984



TOOL TYPE: CLUSTER (2" STATION)

WILSON TOOL NUMBER: AF STANDARD

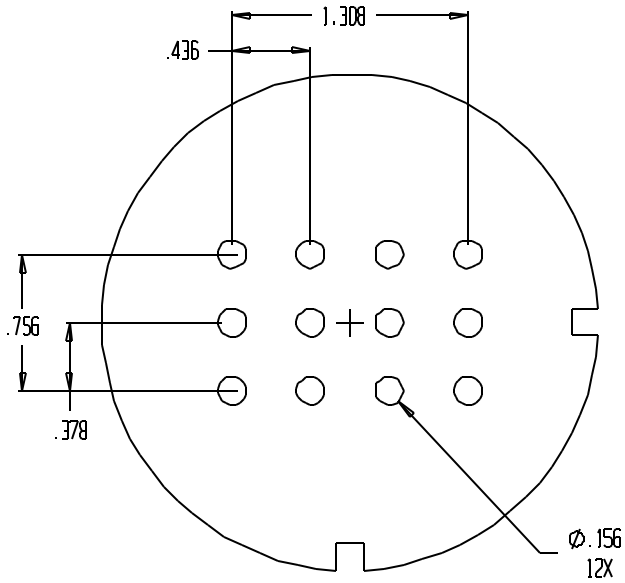
MATERIAL TYPE: ALL (LIMITED IN STAINLESS STEEL)

MATERIAL THICKNESS: .030" - .080"



ACCRA-FAB INC.

23201 E. APPLEWAY DRIVE
LIBERTY LAKE, WA 99019
PHONE: (509) 922-3300
FAX: (509) 892-5984



TOOL TYPE: CLUSTER (2" STATION)

WILSON TOOL NUMBER: AF STANDARD

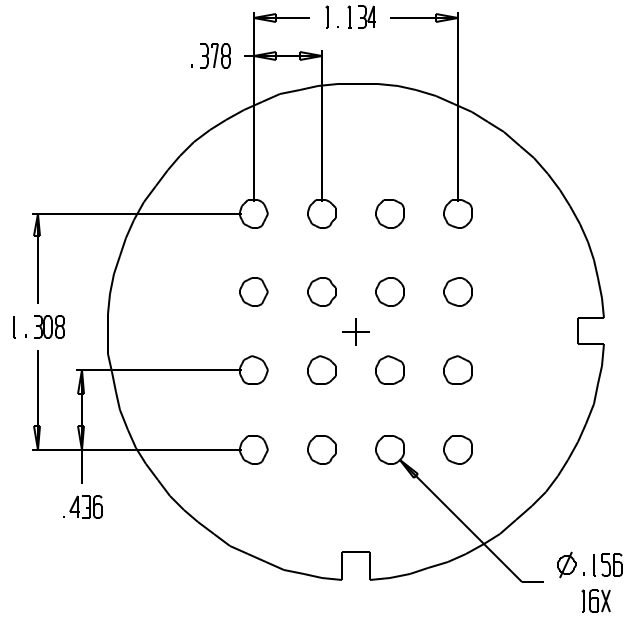
MATERIAL TYPE: ALL (LIMITED IN STAINLESS STEEL)

MATERIAL THICKNESS: .030" - .080"



ACCRA-FAB INC.

23201 E. APPLEWAY DRIVE
LIBERTY LAKE, WA 99019
PHONE: (509) 922-3300
FAX: (509) 892-5984



TOOL TYPE: CLUSTER (2" STATION)

WILSON TOOL NUMBER: AF STANDARD

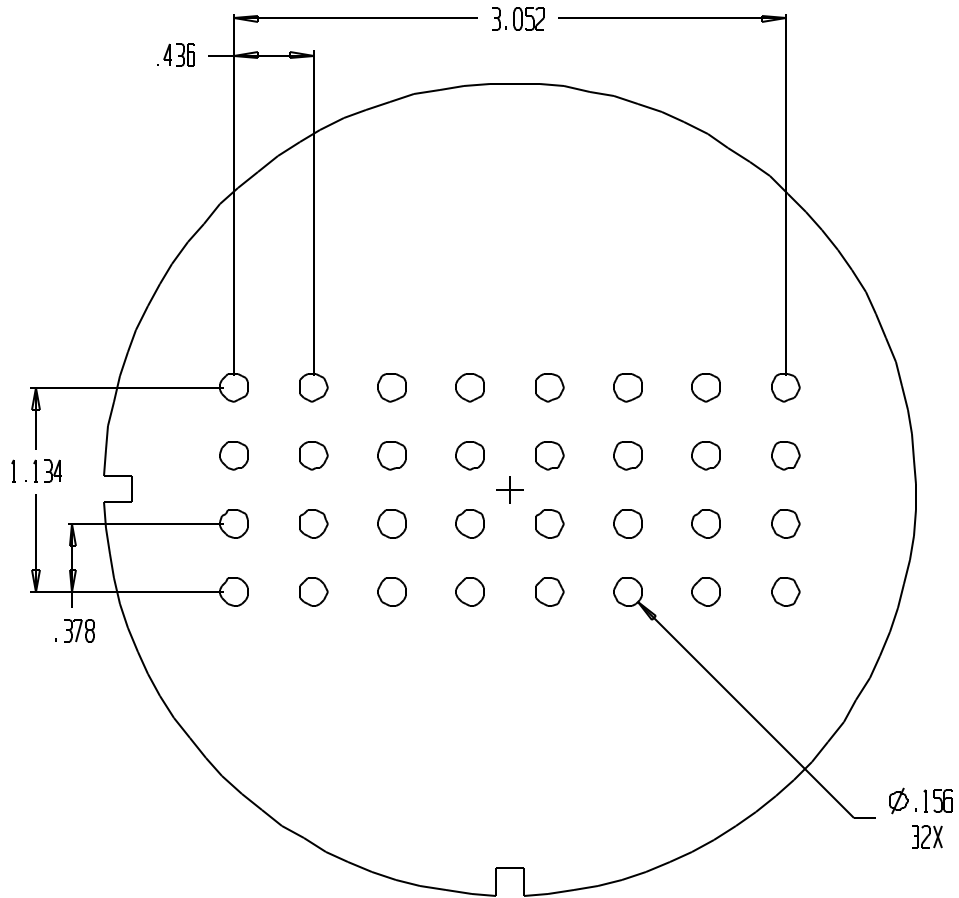
MATERIAL TYPE: ALL (LIMITED IN STAINLESS STEEL)

MATERIAL THICKNESS: .030" - .080"



ACCRA-FAB INC.

23201 E. APPLEWAY DRIVE
LIBERTY LAKE, WA 99019
PHONE: (509) 922-3300
FAX: (509) 892-5984



TOOL TYPE: CLUSTER (3 1/2" STATION)

WILSON TOOL NUMBER: AF STANDARD

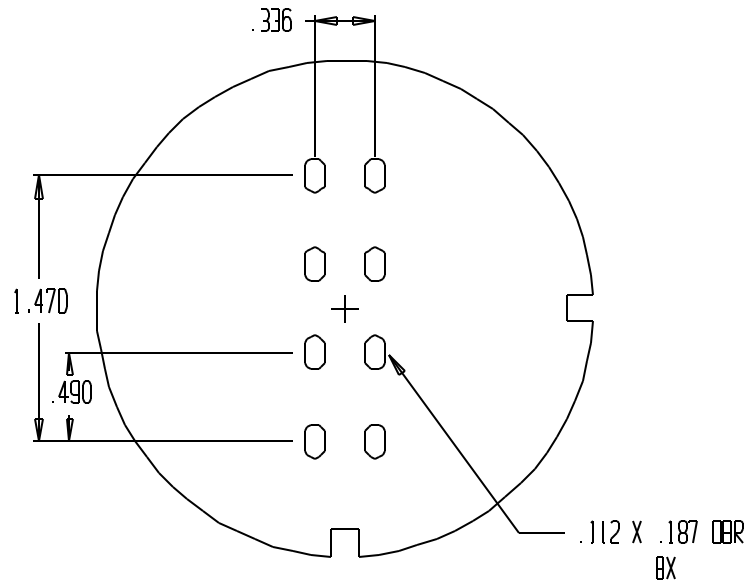
MATERIAL TYPE: CRS - ALUM

MATERIAL THICKNESS: .020" - .080"



ACCRA-FAB INC.

23201 E. APPLEWAY DRIVE
LIBERTY LAKE, WA 99019
PHONE: (509) 922-3300
FAX: (509) 892-5984



TOOL TYPE: CLUSTER (2" STATION)

WILSON TOOL NUMBER: 87-1615

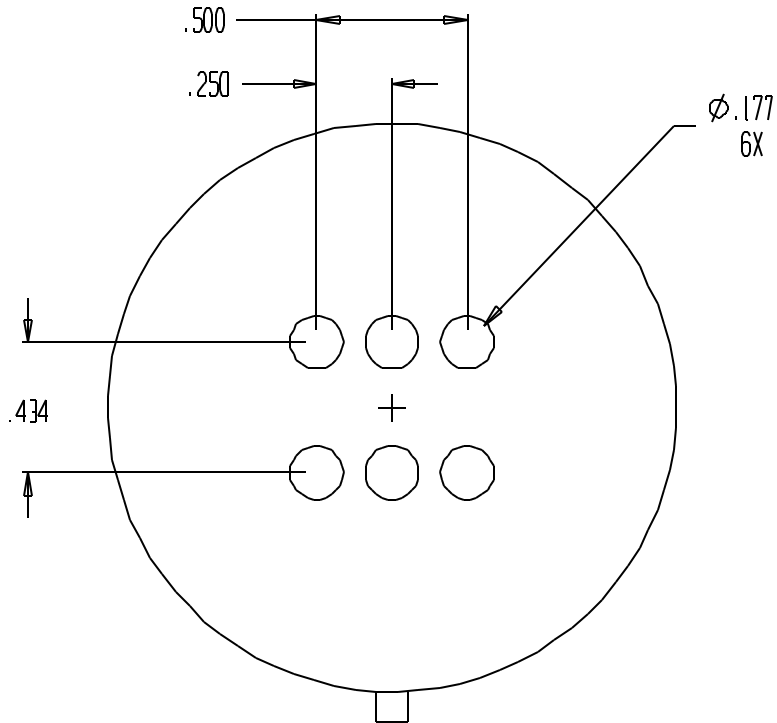
MATERIAL TYPE: CRS

MATERIAL THICKNESS: .040" - .060"



ACCRA-FAB INC.

23201 E. APPLEWAY DRIVE
LIBERTY LAKE, WA 99019
PHONE: (509) 922-3300
FAX: (509) 892-5984



TOOL TYPE: CLUSTER (1 1/4" STATION)

WILSON TOOL NUMBER: 88-8933

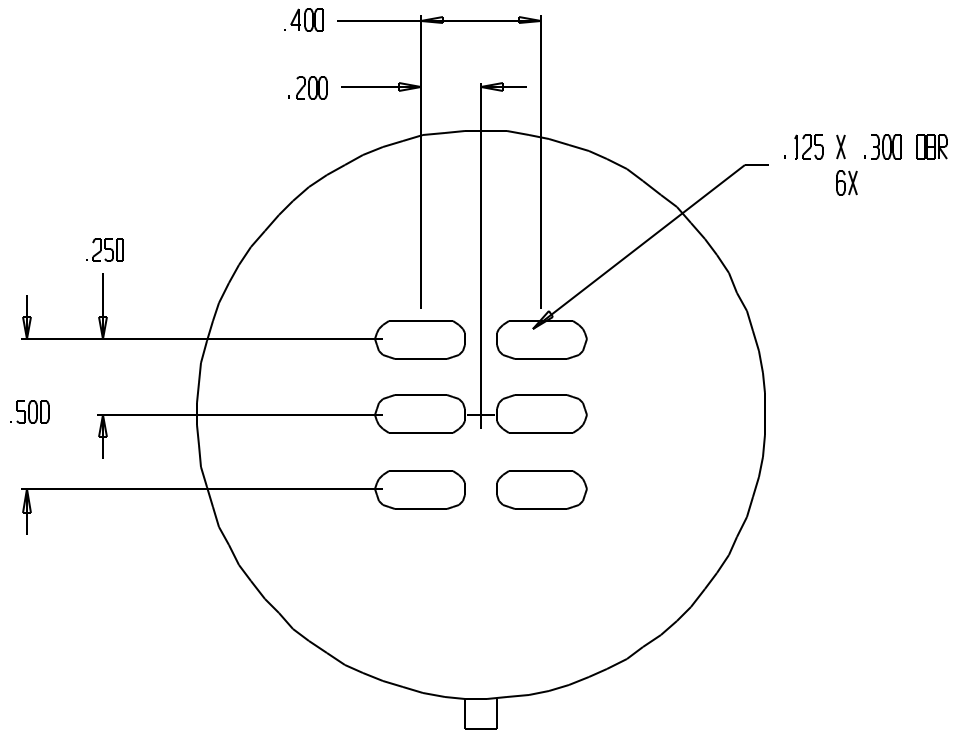
MATERIAL TYPE: CRS - ALUM

MATERIAL THICKNESS: 18 GA



ACCRA-FAB INC.

23201 E. APPLEWAY DRIVE
LIBERTY LAKE, WA 99019
PHONE: (509) 922-3300
FAX: (509) 892-5984



TOOL TYPE: CLUSTER (1 1/4" STATION)

WILSON TOOL NUMBER: 8B-8934

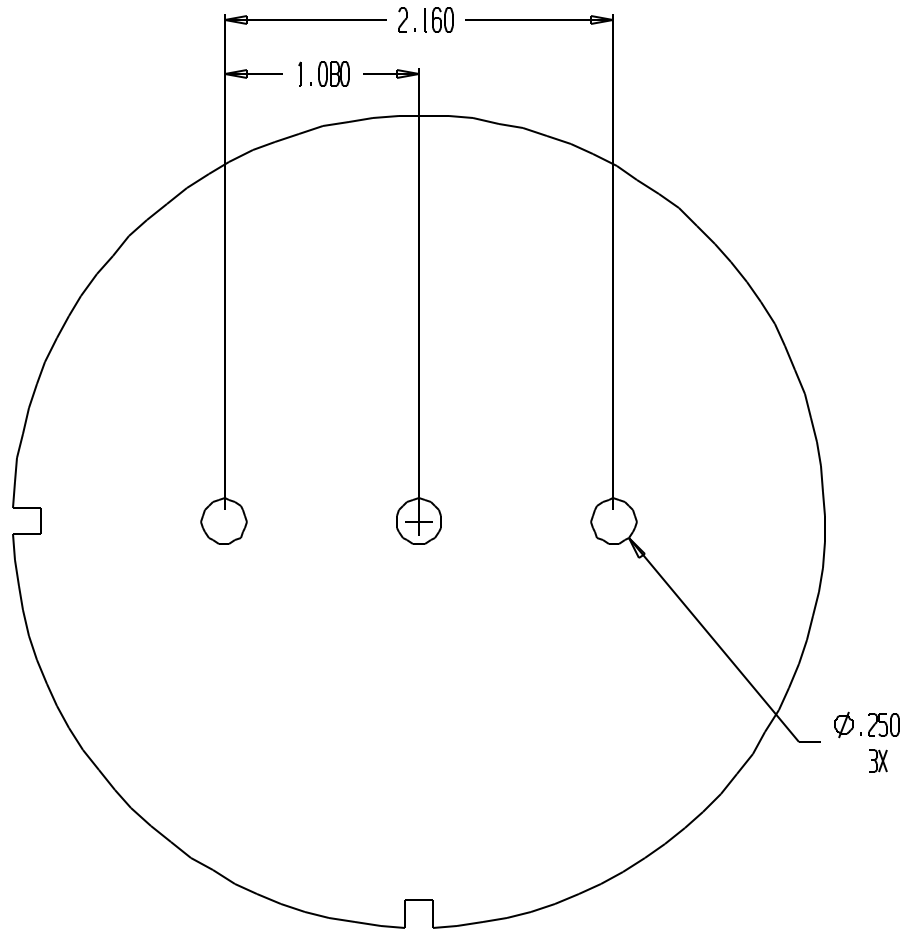
MATERIAL TYPE: CRS - ALUM

MATERIAL THICKNESS: .020" - .060"



ACCRA-FAB INC.

23201 E. APPLEWAY DRIVE
LIBERTY LAKE, WA 99019
PHONE: (509) 922-3300
FAX: (509) 892-5984



TOOL TYPE: CLUSTER (3 1/2" STATION)

WILSON TOOL NUMBER: 91-3139

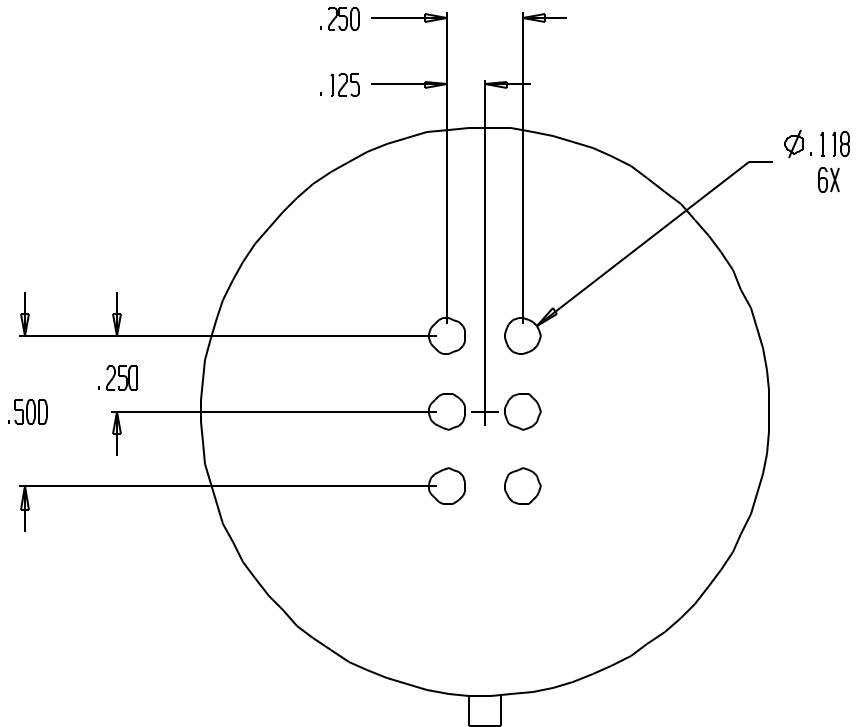
MATERIAL TYPE: ALUMINUM

MATERIAL THICKNESS: .060"



ACCRA-FAB INC.

23201 E. APPLEWAY DRIVE
LIBERTY LAKE, WA 99019
PHONE: (509) 922-3300
FAX: (509) 892-5984



TOOL TYPE: CLUSTER (1 1/4" STATION)

WILSON TOOL NUMBER: 92-5202

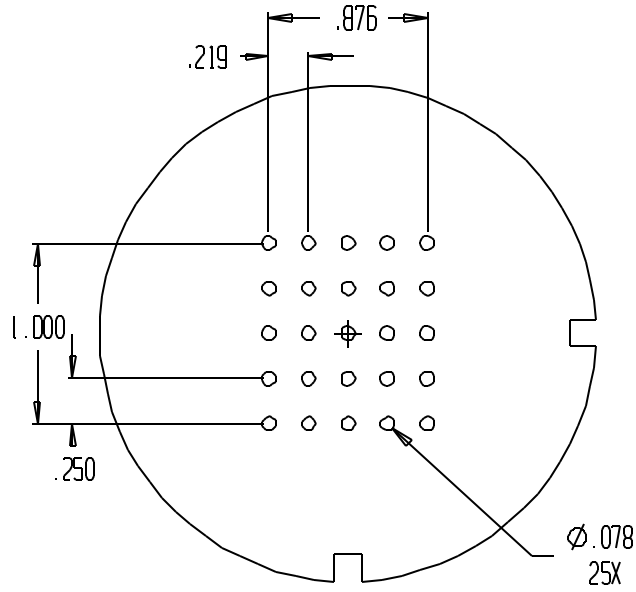
MATERIAL TYPE: ALUM

MATERIAL THICKNESS: .050"



ACCRA-FAB INC.

23201 E. APPLEWAY DRIVE
LIBERTY LAKE, WA 99019
PHONE: (509) 922-3300
FAX: (509) 892-5984



TOOL TYPE: CLUSTER (2" STATION)

WILSON TOOL NUMBER: 93-6110

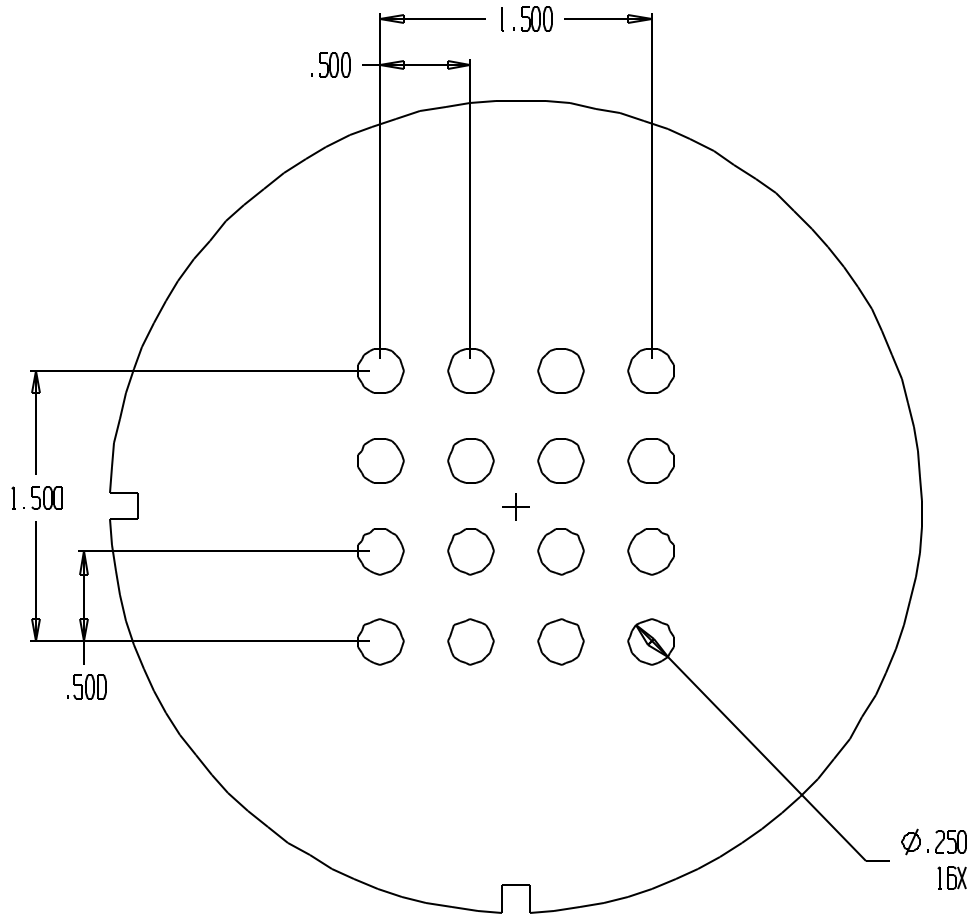
MATERIAL TYPE: CRS

MATERIAL THICKNESS: 1B GA



ACCRA-FAB INC.

23201 E. APPLEWAY DRIVE
LIBERTY LAKE, WA 99019
PHONE: (509) 922-3300
FAX: (509) 892-5984



TOOL TYPE: CLUSTER (3 1/2" STATION)

WILSON TOOL NUMBER: 94-5269

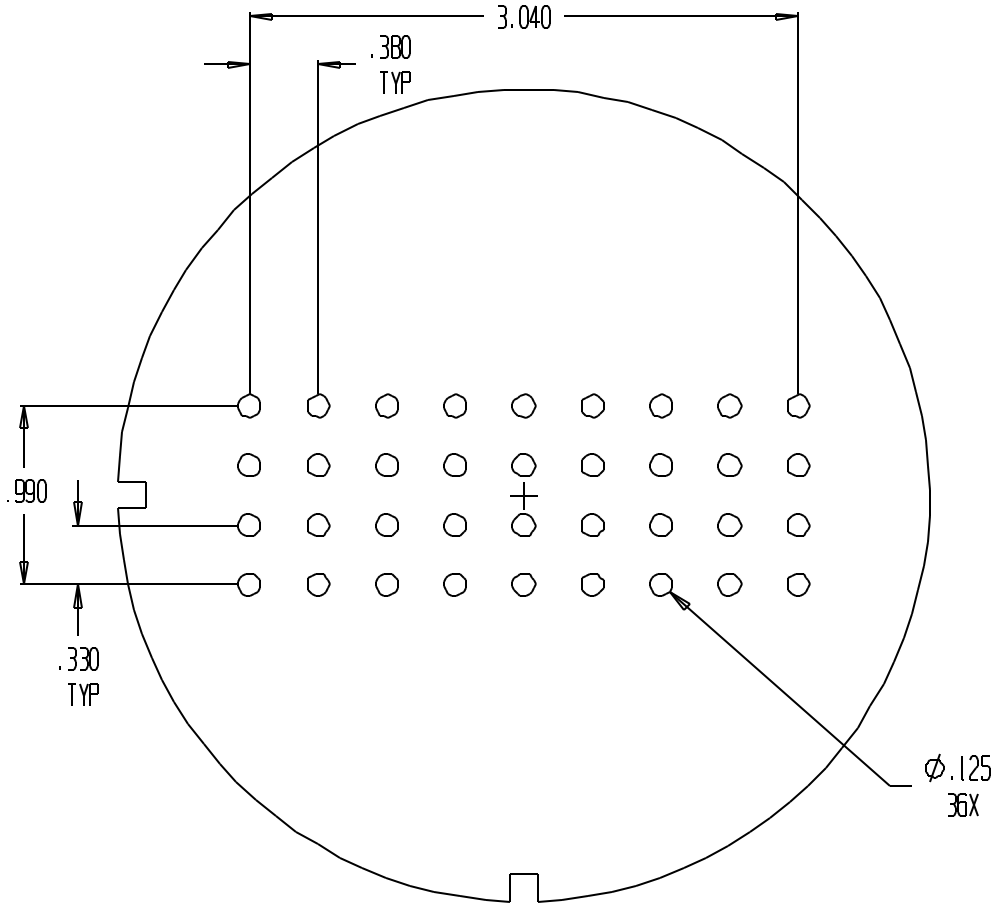
MATERIAL TYPE: CRS-ALUM

MATERIAL THICKNESS: .060"



ACCRA-FAB INC.

23201 E. APPLEWAY DRIVE
LIBERTY LAKE, WA 99019
PHONE: (509) 922-3300
FAX: (509) 892-5984



TOOL TYPE: CLUSTER (3 1/2" STATION)

WILSON TOOL NUMBER: 94-6861

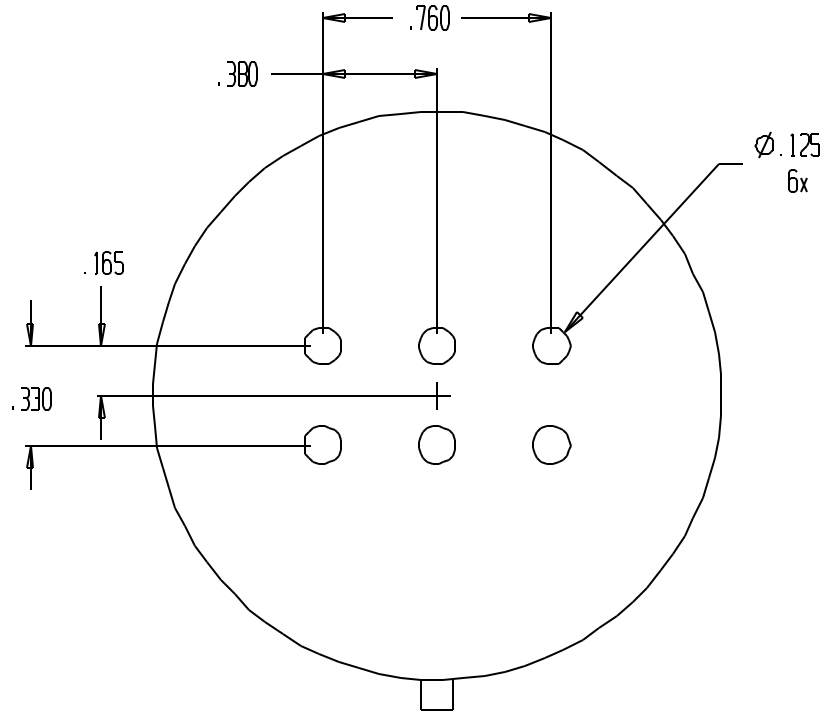
MATERIAL TYPE: 5052 ALUM

MATERIAL THICKNESS: .060"



ACCRA-FAB INC.

23201 E. APPLEWAY DRIVE
LIBERTY LAKE, WA 99019
PHONE: (509) 922-3300
FAX: (509) 892-5984



TOOL TYPE: CLUSTER (1 1/4" STATION)

WILSON TOOL NUMBER: 94-6862

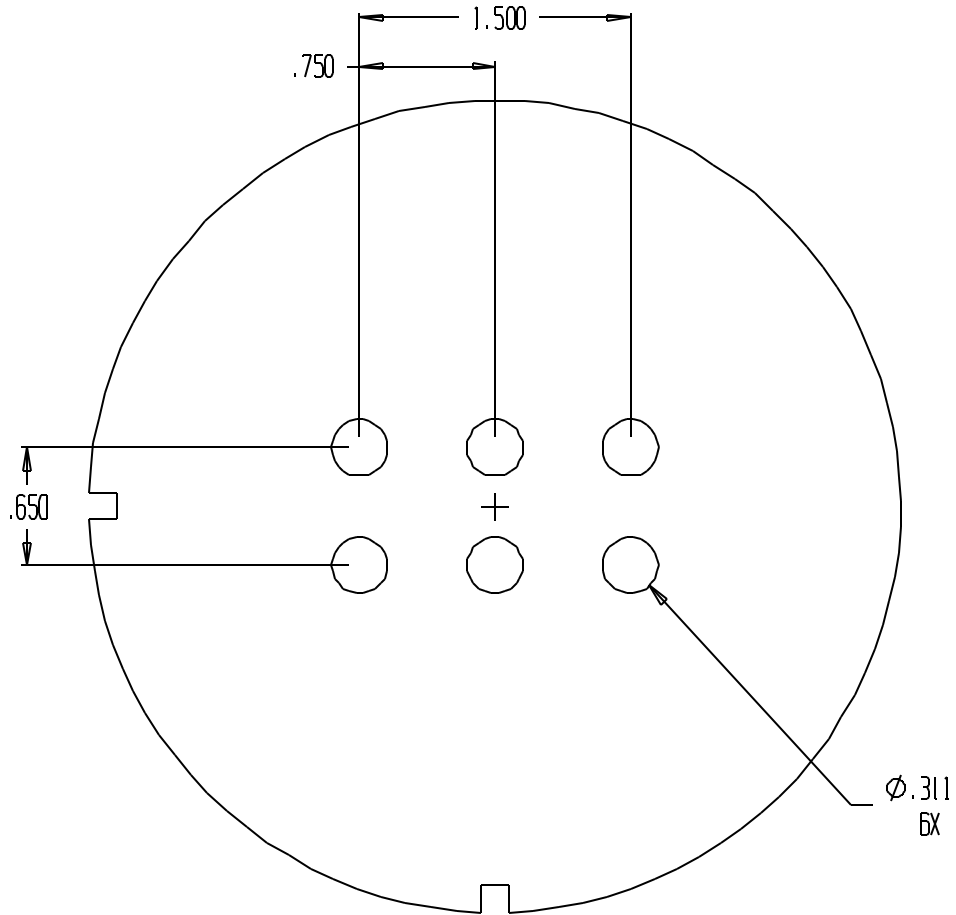
MATERIAL TYPE: ALUMINUM

MATERIAL THICKNESS: .060"



ACCRA-FAB INC.

23201 E. APPLEWAY DRIVE
LIBERTY LAKE, WA 99019
PHONE: (509) 922-3300
FAX: (509) 892-5984



TOOL TYPE: CLUSTER (3 1/2" STATION)

WILSON TOOL NUMBER: 200-8920

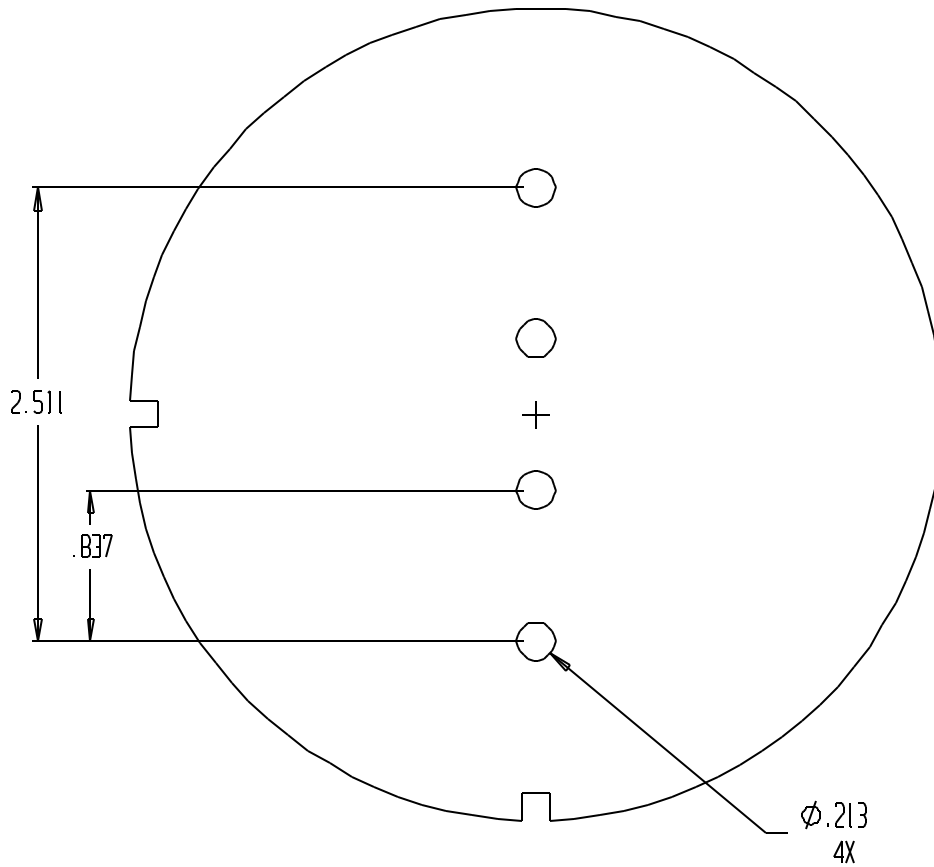
MATERIAL TYPE: CRS- ALUM

MATERIAL THICKNESS: .060"



ACCRA-FAB INC.

23201 E. APPLEWAY DRIVE
LIBERTY LAKE, WA 99019
PHONE: (509) 922-3300
FAX: (509) 892-5984



TOOL TYPE: CLUSTER (3 1/2" STATION)

WILSON TOOL NUMBER: 203-0244

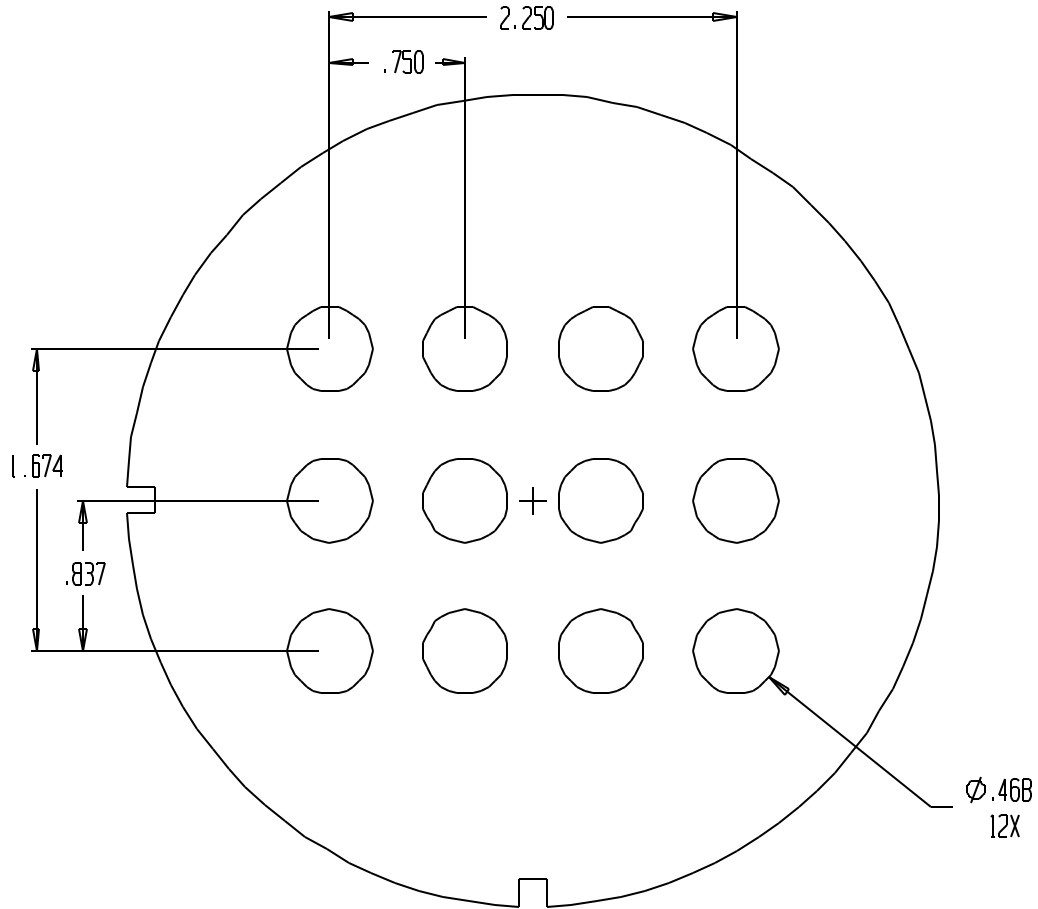
MATERIAL TYPE: CRS - ALUM

MATERIAL THICKNESS: .050" - .060"



ACCRA-FAB INC.

23201 E. APPLEWAY DRIVE
LIBERTY LAKE, WA 99019
PHONE: (509) 922-3300
FAX: (509) 892-5984



TOOL TYPE: CLUSTER (3 1/2" STATION)

WILSON TOOL NUMBER: 203-0245

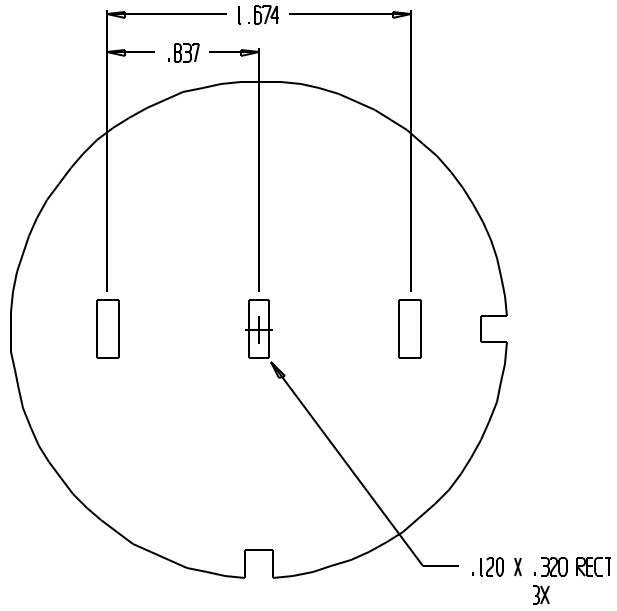
MATERIAL TYPE: CRS - ALUM

MATERIAL THICKNESS: .050" - .060"



ACCRA-FAB INC.

23201 E. APPLEWAY DRIVE
LIBERTY LAKE, WA 99019
PHONE: (509) 922-3300
FAX: (509) 892-5984



WT# 205-4056

TOOL TYPE: CLUSTER (2" STATION)

WILSON TOOL NUMBER: 205-4056

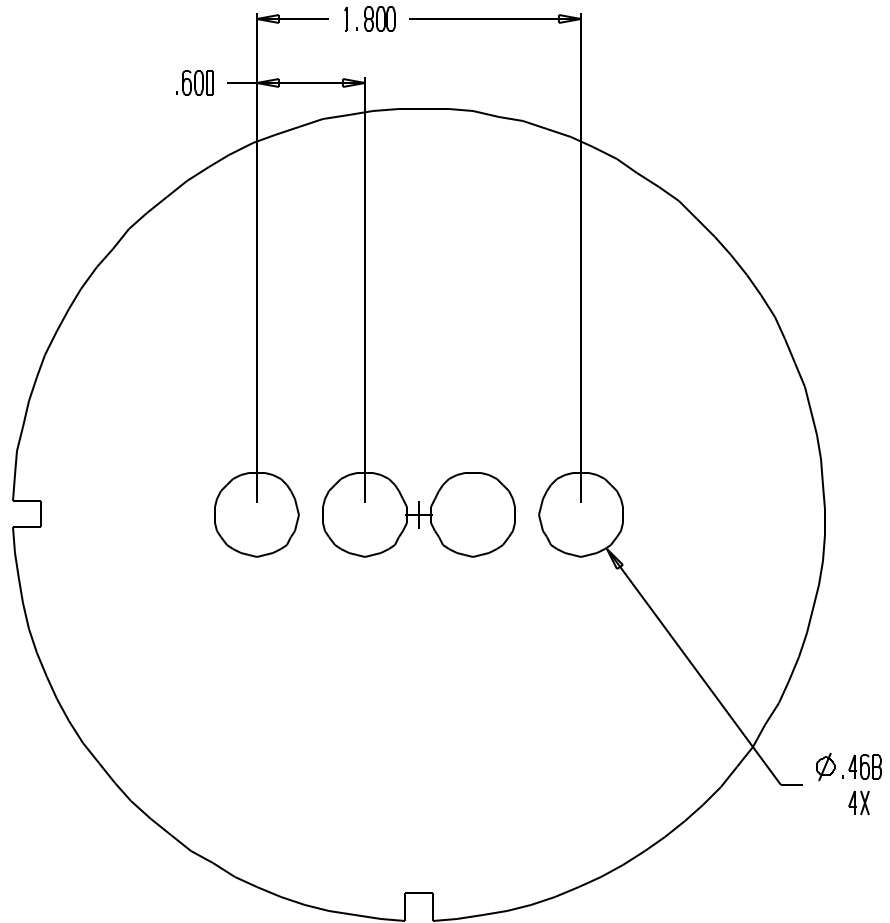
MATERIAL TYPE: CRS - ALUM

MATERIAL THICKNESS: .050" - .080"



ACCRA-FAB INC.

23201 E. APPLEWAY DRIVE
LIBERTY LAKE, WA 99019
PHONE: (509) 922-3300
FAX: (509) 892-5984



TOOL TYPE: CLUSTER (3 1/2" STATION)

WILSON TOOL NUMBER: 209-3D11

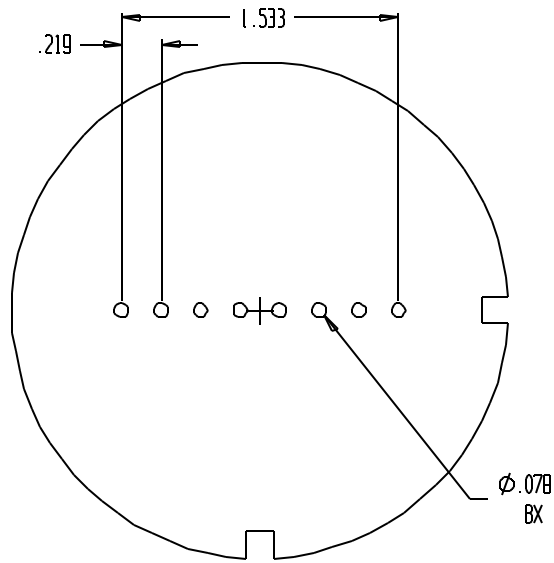
MATERIAL TYPE: CRS - ALUM

MATERIAL THICKNESS: .050" - .060"



ACCRA-FAB INC.

23201 E. APPLEWAY DRIVE
LIBERTY LAKE, WA 99019
PHONE: (509) 922-3300
FAX: (509) 892-5984



TOOL TYPE: CLUSTER (2" STATION)

WILSON TOOL NUMBER: 209-6890

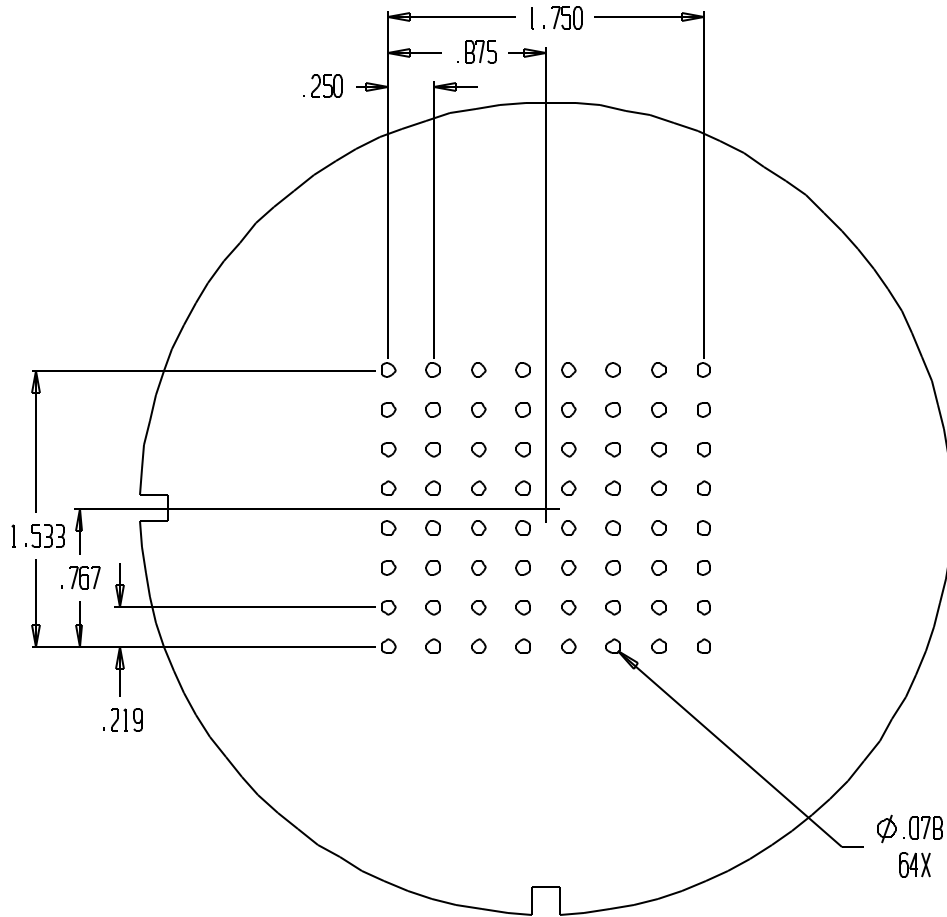
MATERIAL TYPE: CRS - ALUM

MATERIAL THICKNESS: .050" - .060"



ACCRA-FAB INC.

23201 E. APPLEWAY DRIVE
LIBERTY LAKE, WA 99019
PHONE: (509) 922-3300
FAX: (509) 892-5984



TOOL TYPE: CLUSTER

WILSON TOOL NUMBER: 209-6891

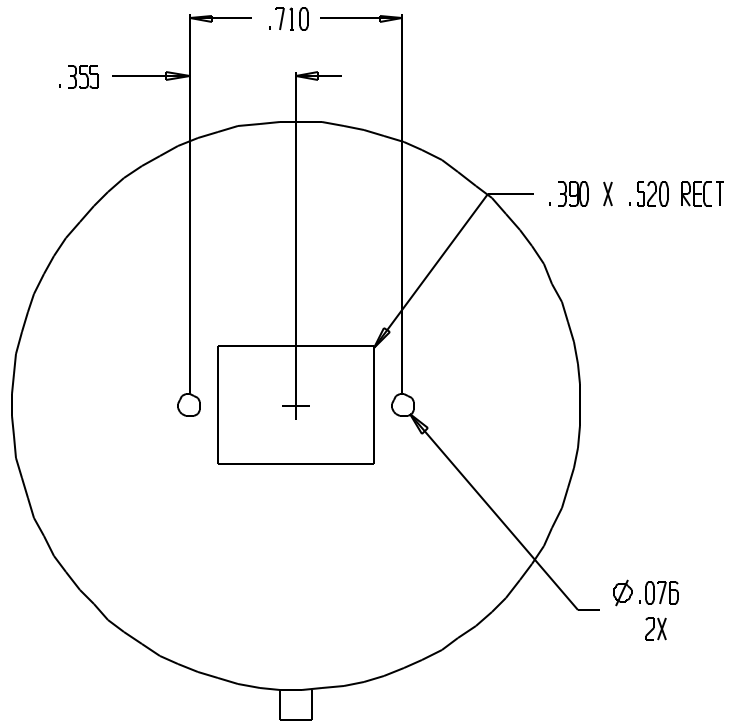
MATERIAL TYPE: CRS - ALUM

MATERIAL THICKNESS: .050"



ACCRA-FAB INC.

23201 E. APPLEWAY DRIVE
LIBERTY LAKE, WA 99019
PHONE: (509) 922-3300
FAX: (509) 892-5984



TOOL TYPE: CLUSTER (1 1/4" STATION)

WILSON TOOL NUMBER: 210-3914

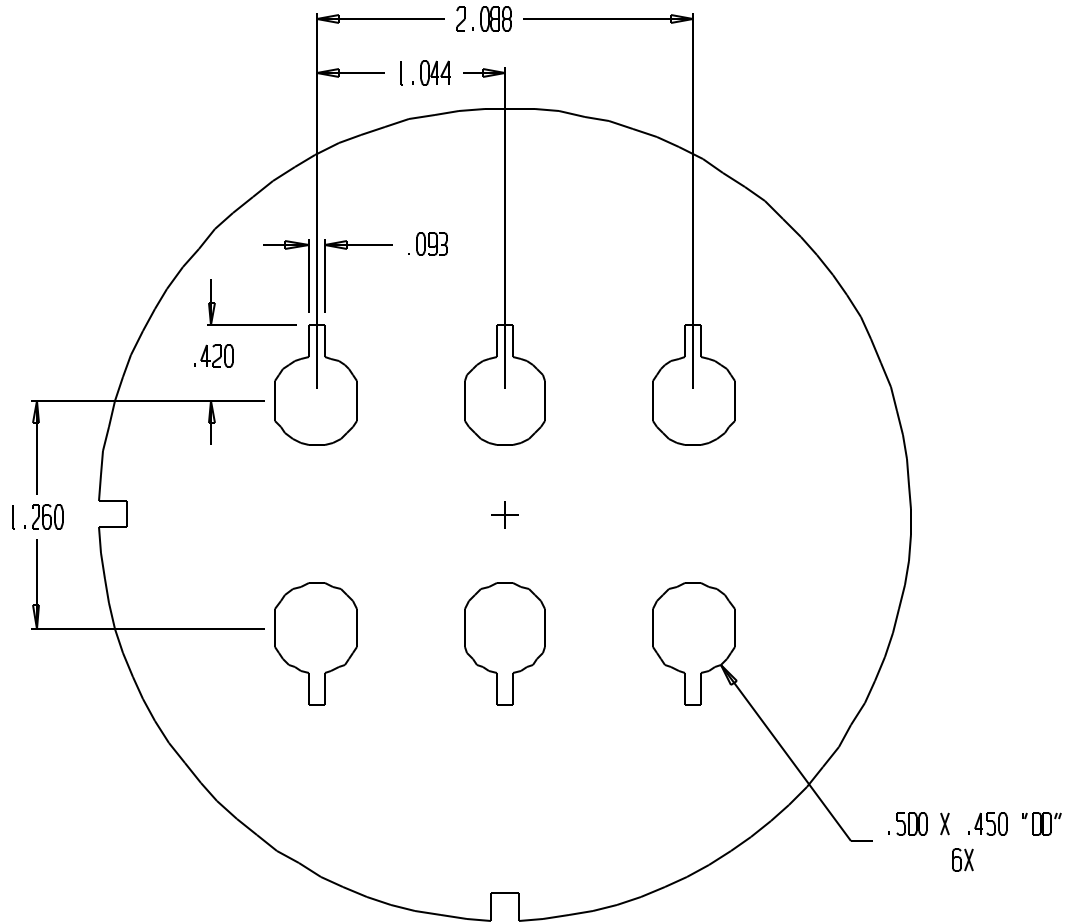
MATERIAL TYPE: CRS - ALUM

MATERIAL THICKNESS: .040" - .060"



ACCRA-FAB INC.

23201 E. APPLEWAY DRIVE
LIBERTY LAKE, WA 99019
PHONE: (509) 922-3300
FAX: (509) 892-5984



TOOL TYPE: CLUSTER (3 1/2" STATION)

WILSON TOOL NUMBER: 211-5185

MATERIAL TYPE: CRS - ALUM

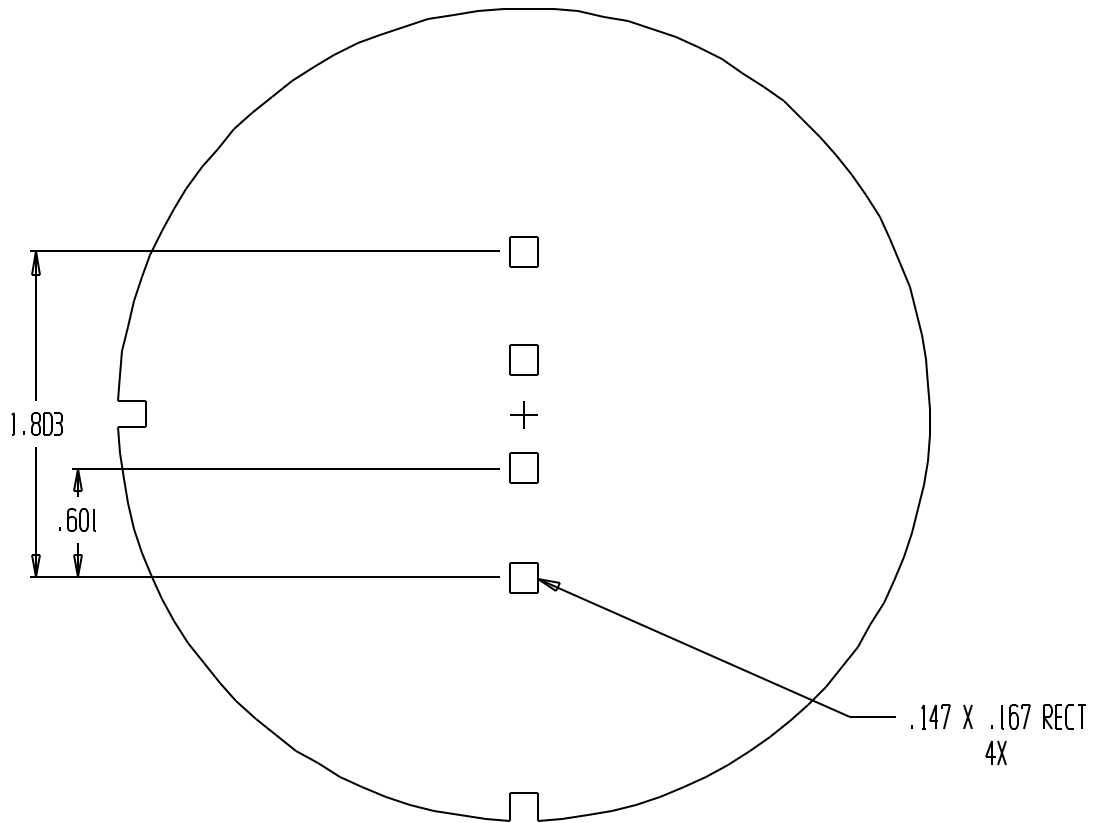
MATERIAL THICKNESS: .050" - .060"



ACCRA-FAB INC.

23201 E. APPLEWAY DRIVE
LIBERTY LAKE, WA 99019
PHONE: (509) 922-3300
FAX: (509) 892-5984

WT# 213-6745



TOOL TYPE: CLUSTER (3 1/2" STATION)

WILSON TOOL NUMBER: 213-6745

MATERIAL TYPE: CRS - ALUM

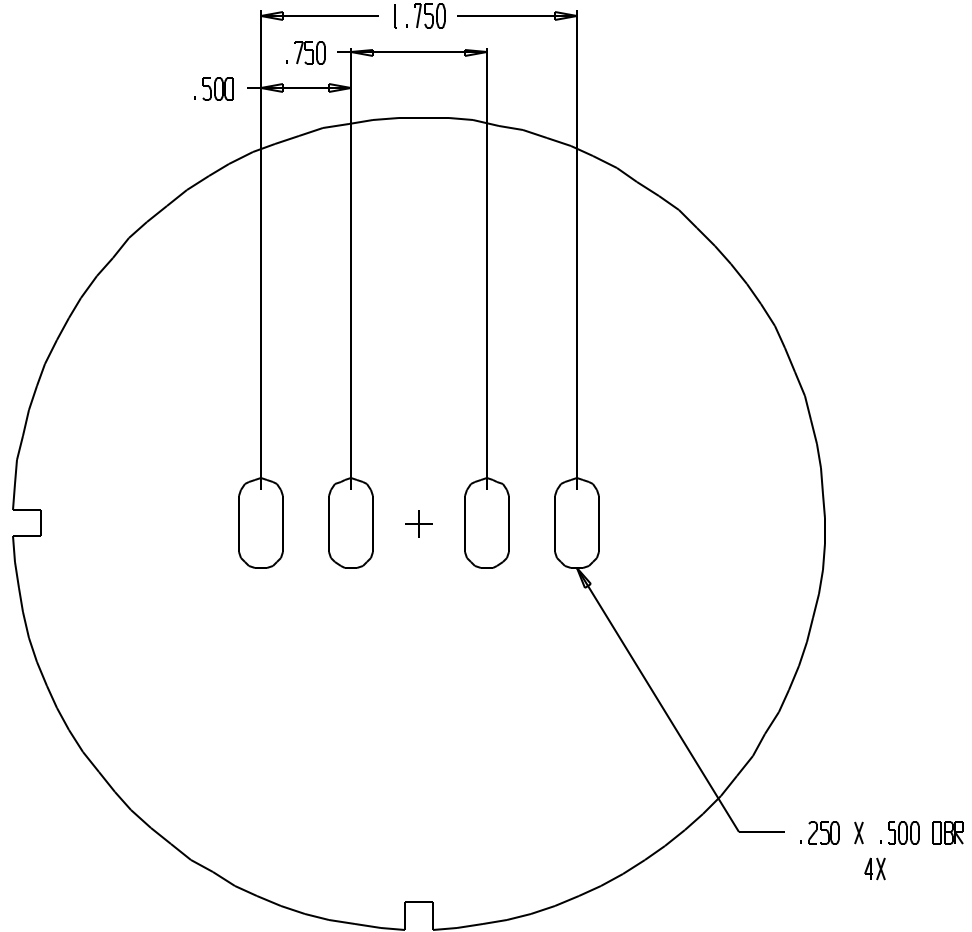
MATERIAL THICKNESS: .050" - .060"



ACCRA-FAB INC.

23201 E. APPLEWAY DRIVE
LIBERTY LAKE, WA 99019
PHONE: (509) 922-3300
FAX: (509) 892-5984

WT# 213-6746



TOOL TYPE: CLUSTER 3 1/2" STATION

WILSON TOOL NUMBER: 213-6746

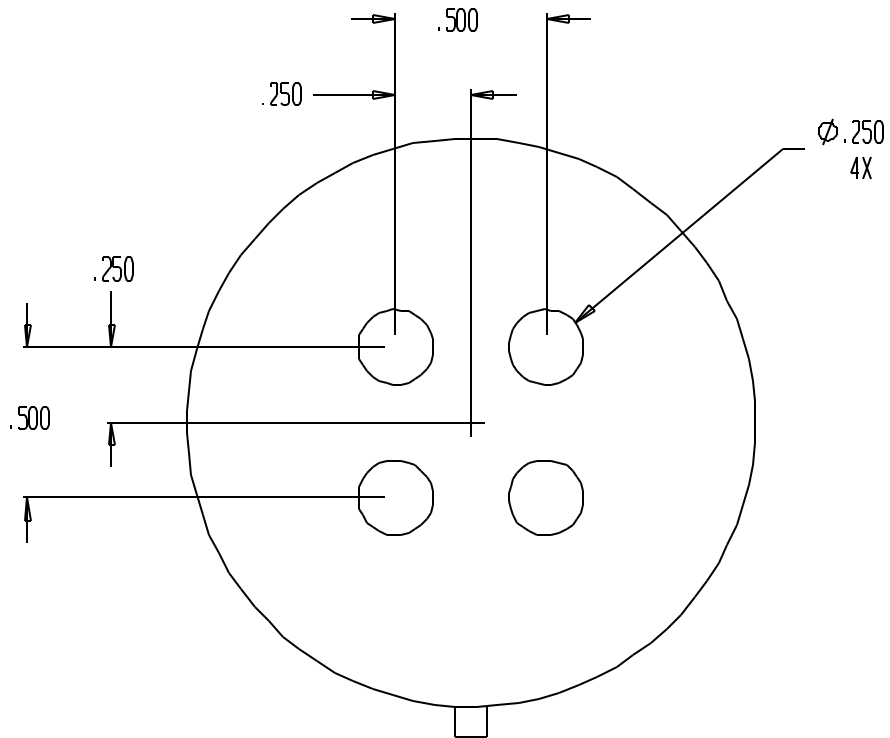
MATERIAL TYPE: CRS - ALUM

MATERIAL THICKNESS: .050" - .060"



ACCRA-FAB INC.

23201 E. APPLEWAY DRIVE
LIBERTY LAKE, WA 99019
PHONE: (509) 922-3300
FAX: (509) 892-5984



TOOL TYPE: CLUSTER (1 1/4" STATION)

WILSON TOOL NUMBER: 244-7985

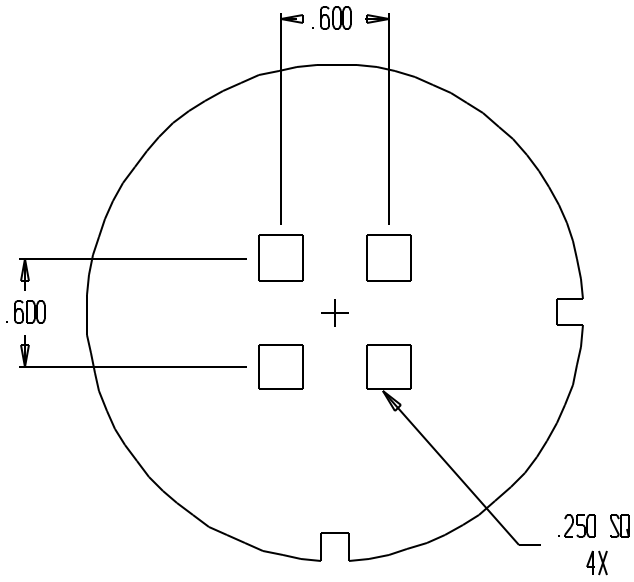
MATERIAL TYPE: CRS - ALUM

MATERIAL THICKNESS: .050" - .060"



ACCRA-FAB INC.

23201 E. APPLEWAY DRIVE
LIBERTY LAKE, WA 99019
PHONE: (509) 922-3300
FAX: (509) 892-5984



TOOL TYPE: CLUSTER (2" STATION)

WILSON TOOL NUMBER: 120254-10

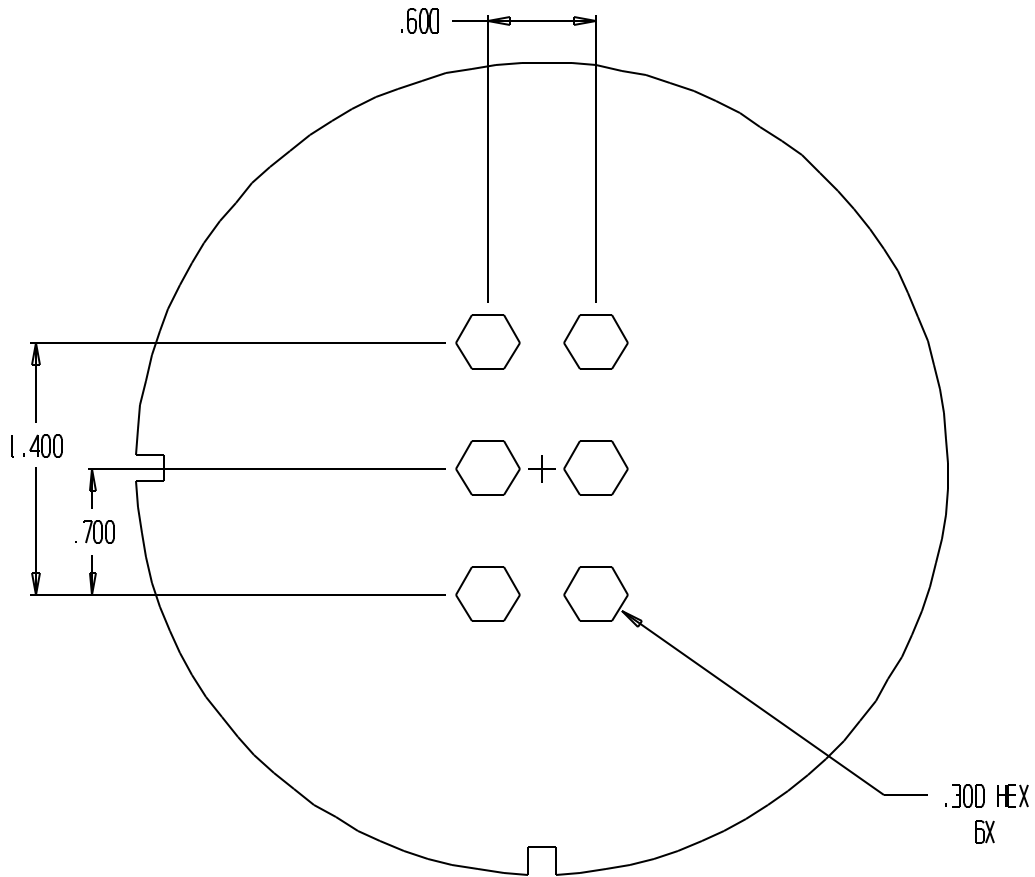
MATERIAL TYPE: CRS - ALUM

MATERIAL THICKNESS: .050" - .080"



ACCRA-FAB INC.

23201 E. APPLEWAY DRIVE
LIBERTY LAKE, WA 99019
PHONE: (509) 922-3300
FAX: (509) 892-5984



TOOL TYPE: CLUSTER (3 1/2" STATION)

WILSON TOOL NUMBER: 13433B-10

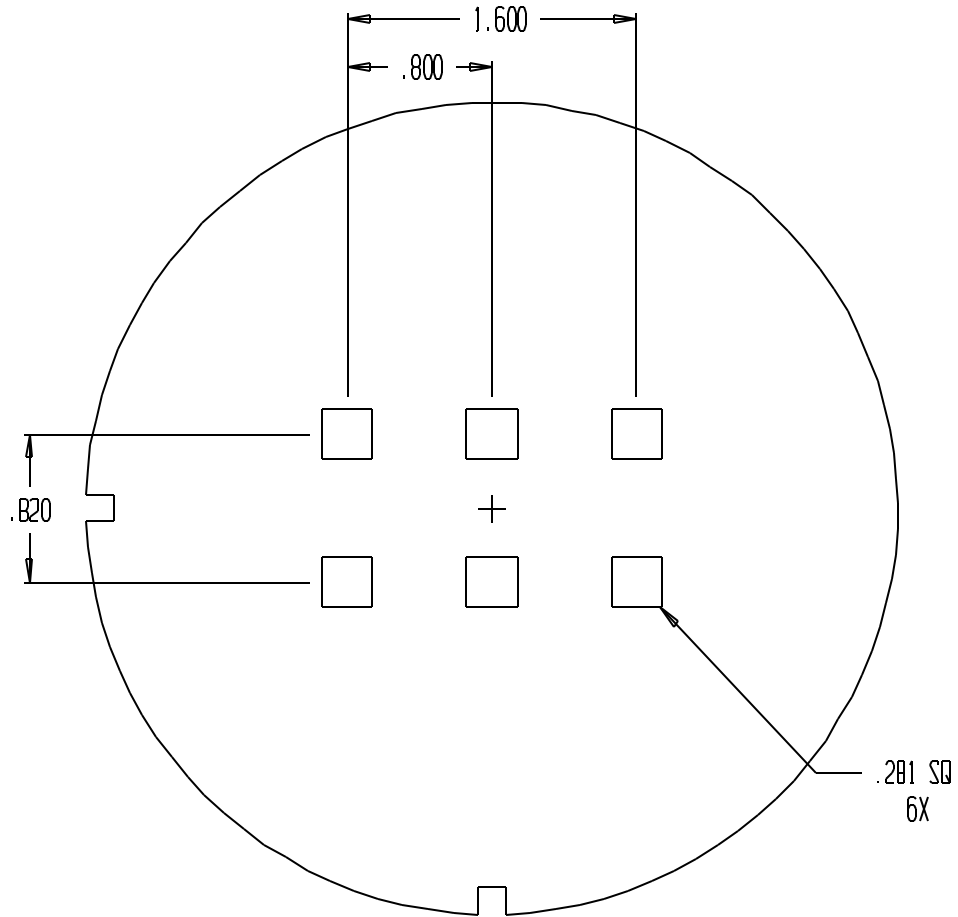
MATERIAL TYPE: CRS - ALUM

MATERIAL THICKNESS: .050" - .080"



ACCRA-FAB INC.

23201 E. APPLEWAY DRIVE
LIBERTY LAKE, WA 99019
PHONE: (509) 922-3300
FAX: (509) 892-5984



TOOL TYPE: CLUSTER (3 1/2" STATION)

WILSON TOOL NUMBER: 134877-10

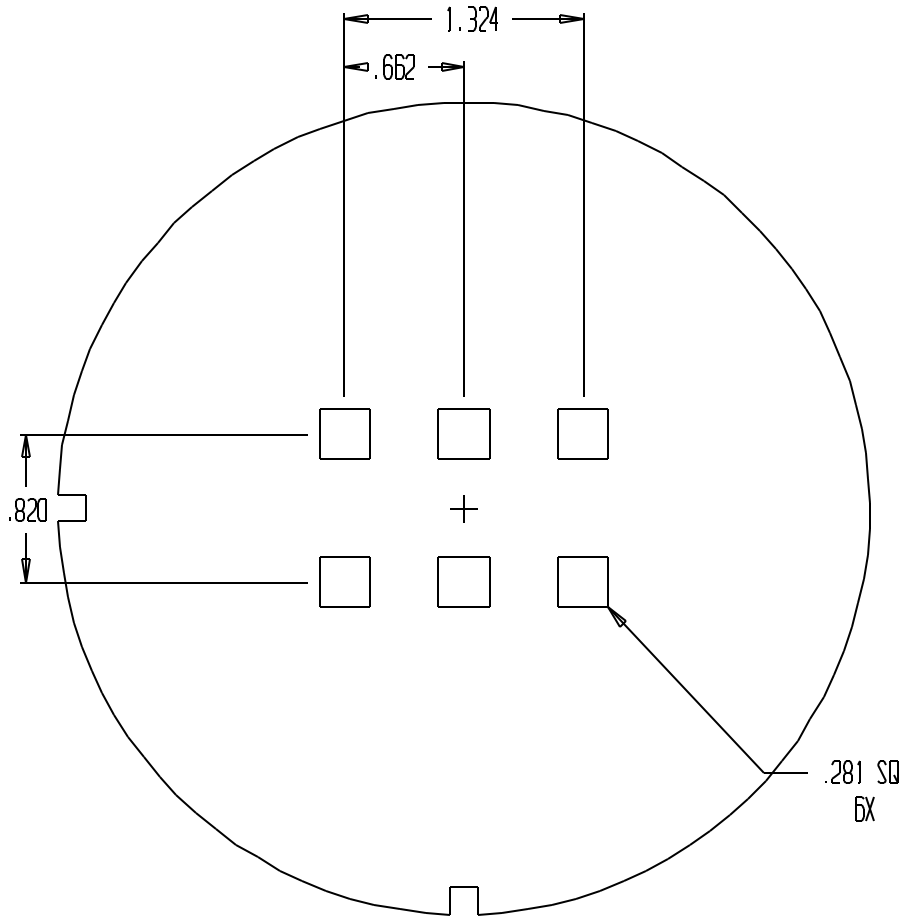
MATERIAL TYPE: CRS - ALUM

MATERIAL THICKNESS: .050" - .080"



ACCRA-FAB INC.

23201 E. APPLEWAY DRIVE
LIBERTY LAKE, WA 99019
PHONE: (509) 922-3300
FAX: (509) 892-5984



TOOL TYPE: CLUSTER (3 1/2" STATION)

WILSON TOOL NUMBER: 134877-20

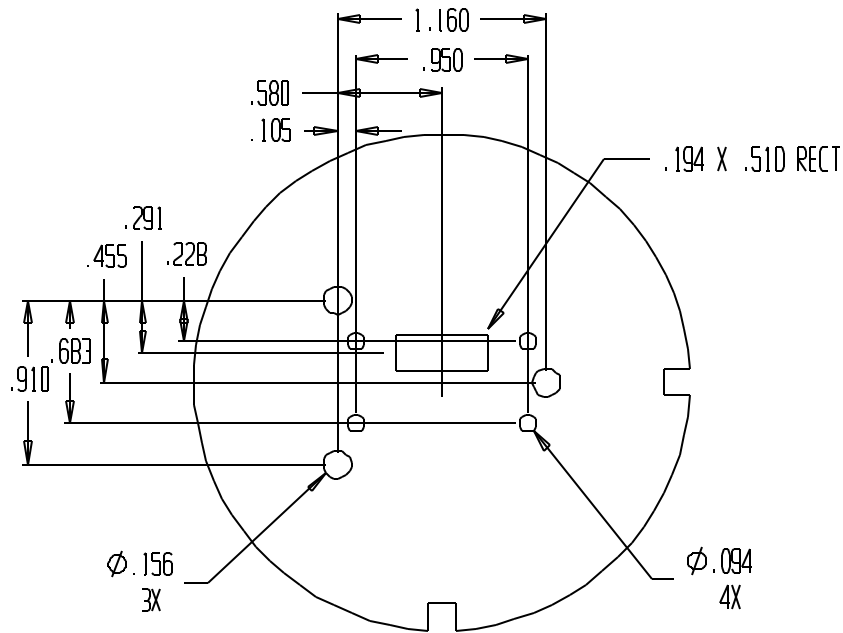
MATERIAL TYPE: CRS - ALUM

MATERIAL THICKNESS: .050" - .080"



ACCRA-FAB INC.

23201 E. APPLEWAY DRIVE
LIBERTY LAKE, WA 99019
PHONE: (509) 922-3300
FAX: (509) 892-5984



TOOL TYPE: CLUSTER (3 1/2" STATION)

WILSON TOOL NUMBER: 17446B-20

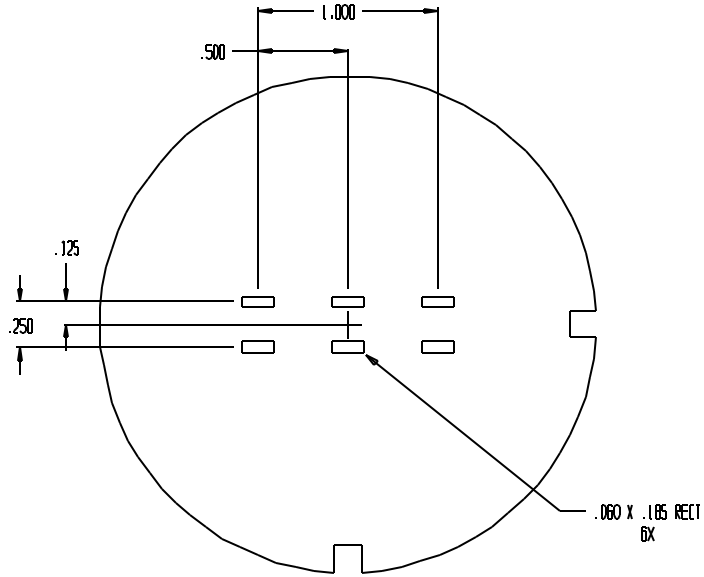
MATERIAL TYPE: CRS - ALUM

MATERIAL THICKNESS: .050" - .060"



ACCRA-FAB INC.

23201 E. APPLEWAY DRIVE
LIBERTY LAKE, WA 99019
PHONE: (509) 922-3300
FAX: (509) 892-5984



TOOL TYPE: CLUSTER (2" STATION)

WILSON TOOL NUMBER: 327355-30

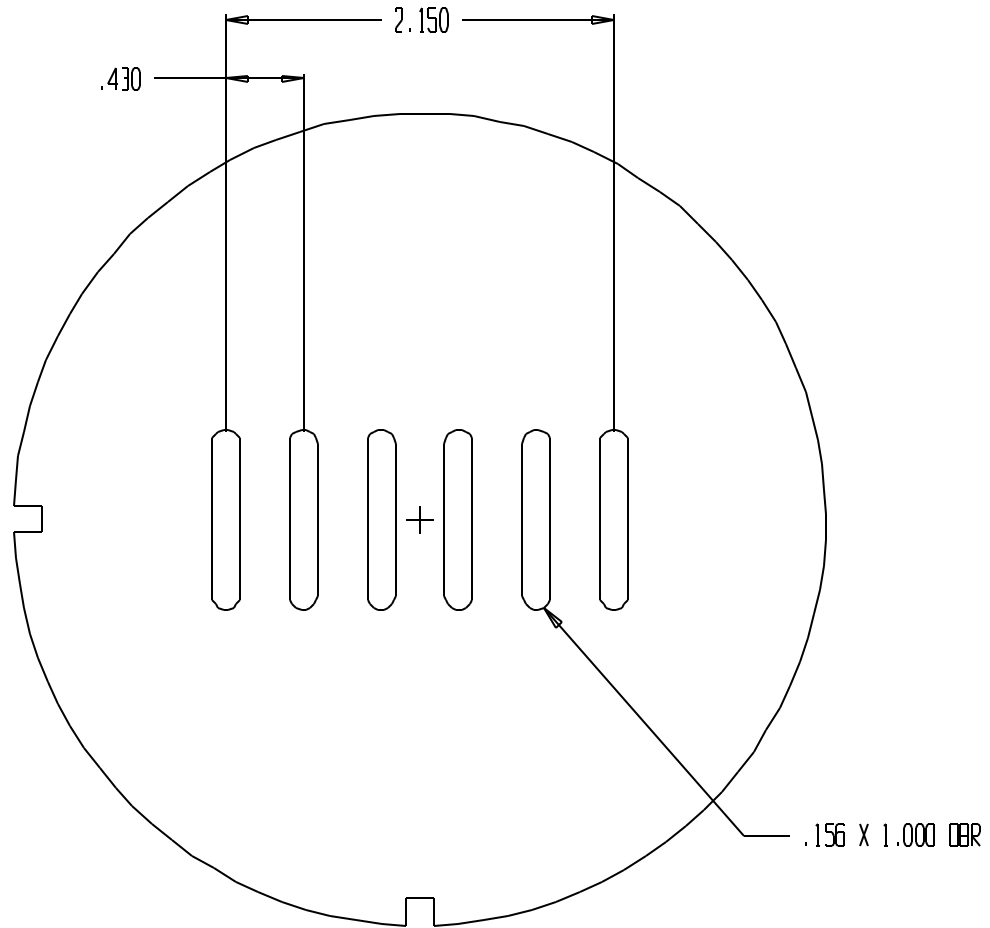
MATERIAL TYPE: CRS - ALUM - SS

MATERIAL THICKNESS: .030" - .050"



ACCRA-FAB INC.

23201 E. APPLEWAY DRIVE
LIBERTY LAKE, WA 99019
PHONE: (509) 922-3300
FAX: (509) 892-5984



TOOL TYPE: CLUSTER (3 1/2" STATION)

WILSON TOOL NUMBER: 351199-10

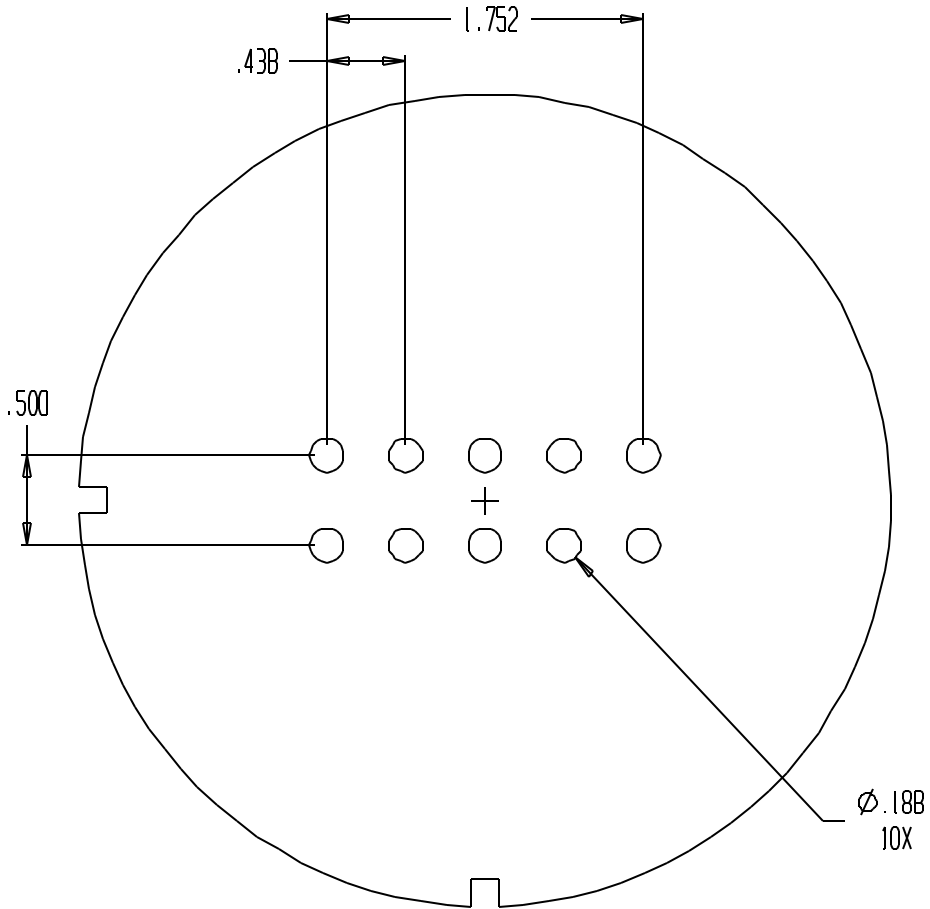
MATERIAL TYPE: CRS - ALUM

MATERIAL THICKNESS: .050" - .080"



ACCRA-FAB INC.

23201 E. APPLEWAY DRIVE
LIBERTY LAKE, WA 99019
PHONE: (509) 922-3300
FAX: (509) 892-5984



TOOL TYPE: CLUSTER (3 1/2" STATION)

WILSON TOOL NUMBER: 368361-10

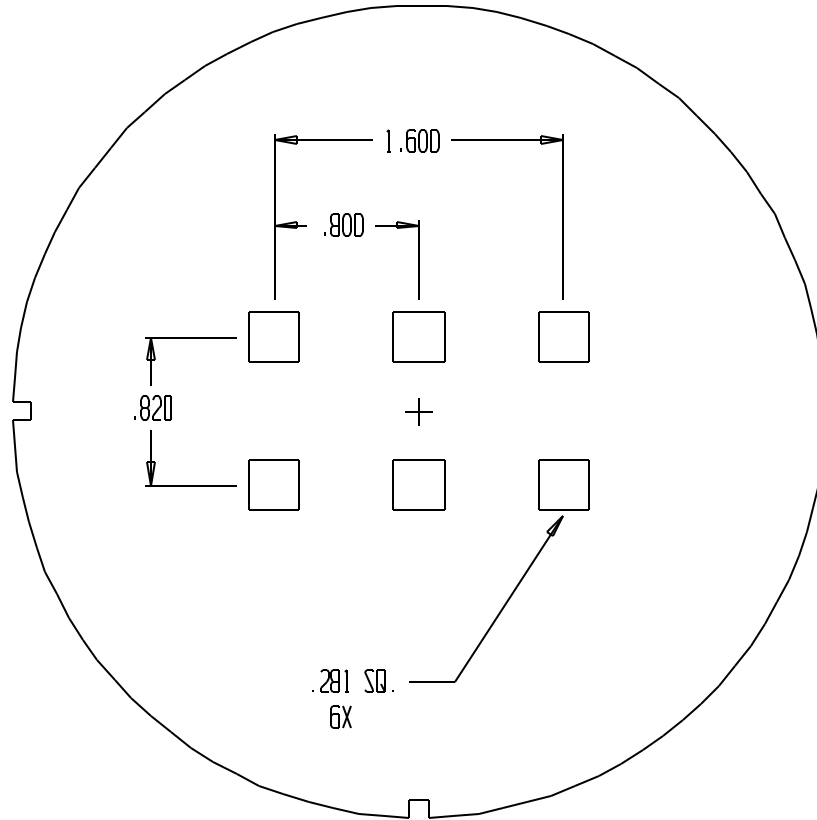
MATERIAL TYPE: CRS - ALUM

MATERIAL THICKNESS: .050" - .080"



ACCRA-FAB INC.

23201 E. APPLEWAY DRIVE
LIBERTY LAKE, WA 99019
PHONE: (509) 922-3300
FAX: (509) 892-5984



TOOL TYPE: CLUSTER

WILSON TOOL NUMBER: 287-2551

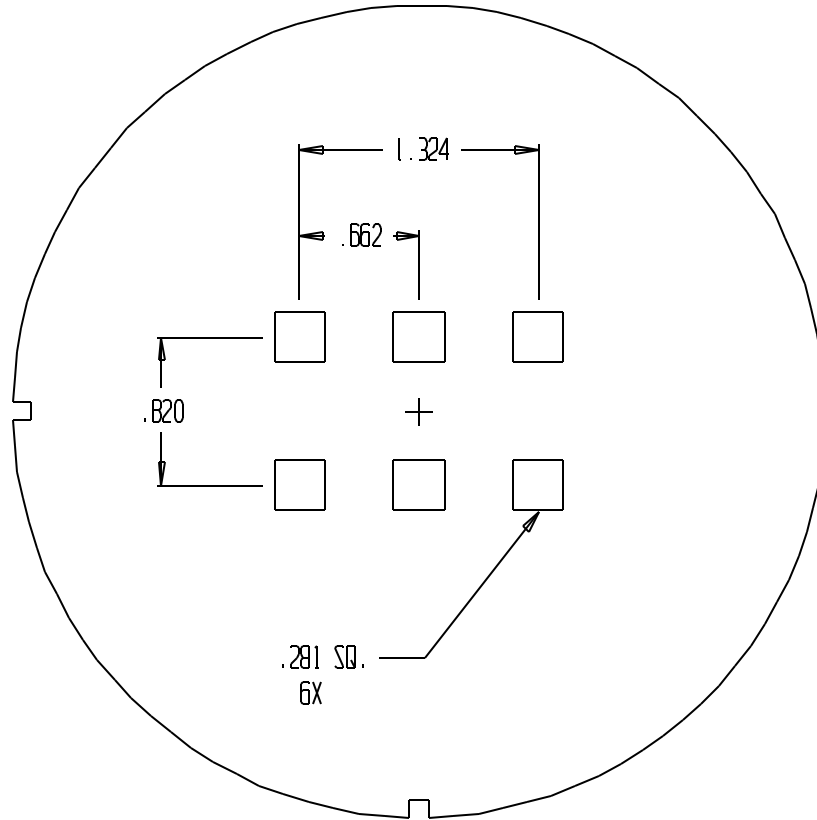
MATERIAL TYPE: ALL

MATERIAL THICKNESS: .060" - .080"



ACCRA-FAB INC.

23201 E. APPLEWAY DRIVE
LIBERTY LAKE, WA 99019
PHONE: (509) 922-3300
FAX: (509) 892-5984



TOOL TYPE: CLUSTER

WILSON TOOL NUMBER: 287-2552

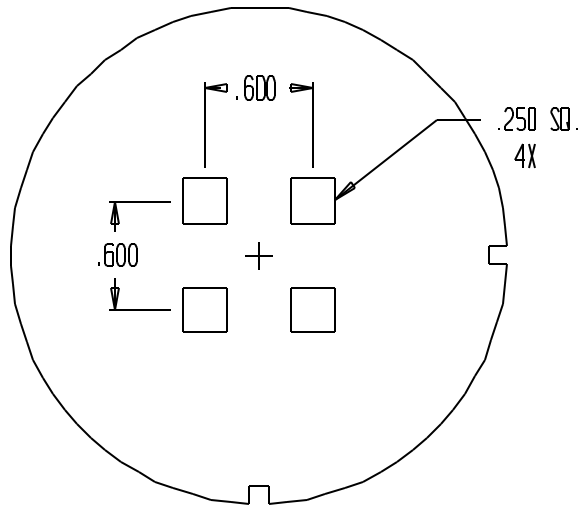
MATERIAL TYPE: ALL

MATERIAL THICKNESS: .060" - .080"



ACCRA-FAB INC.

23201 E. APPLEWAY DRIVE
LIBERTY LAKE, WA 99019
PHONE: (509) 922-3300
FAX: (509) 892-5984



TOOL TYPE: CLUSTER

WILSON TOOL NUMBER: 120254-10

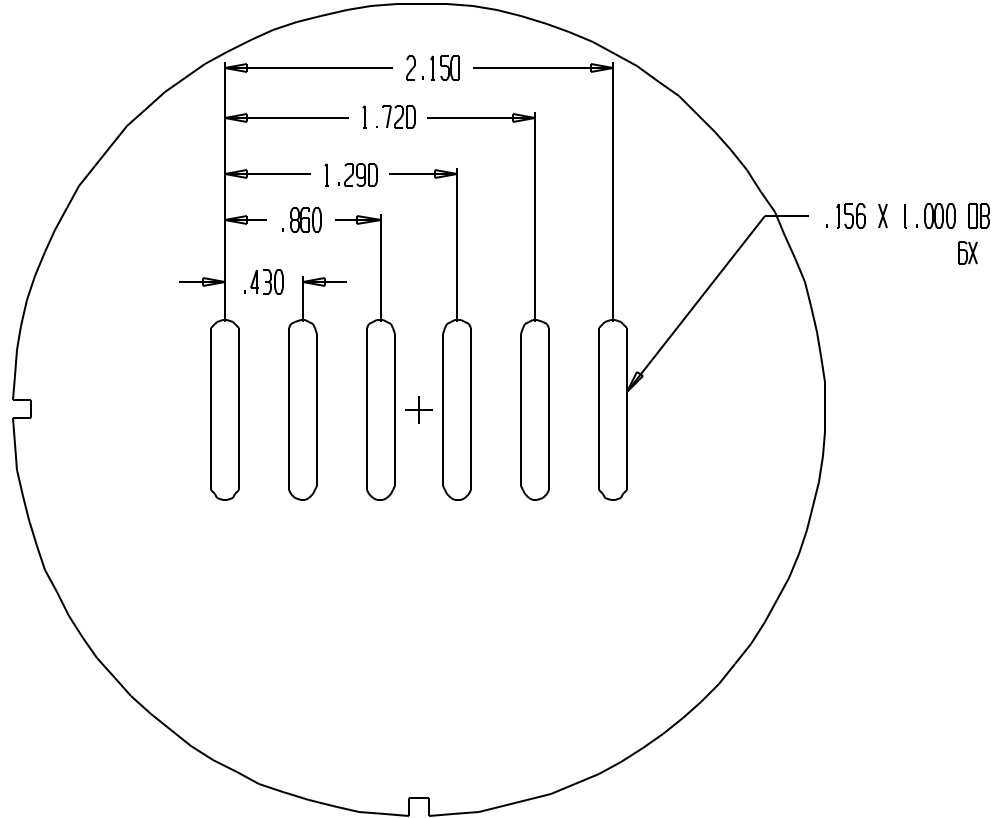
MATERIAL TYPE: ALL

MATERIAL THICKNESS: .060" - .080"



ACCRA-FAB INC.

23201 E. APPLEWAY DRIVE
LIBERTY LAKE, WA 99019
PHONE: (509) 922-3300
FAX: (509) 892-5984



TOOL TYPE: CLUSTER

WILSON TOOL NUMBER: 351199-10

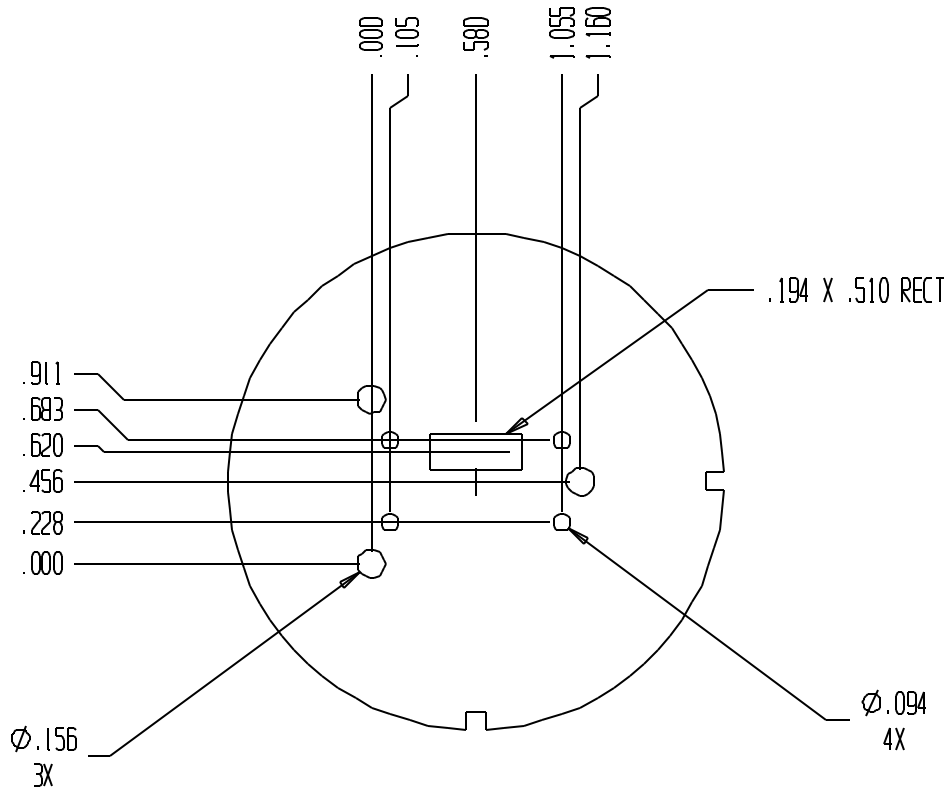
MATERIAL TYPE: ALL

MATERIAL THICKNESS: $.060'' - .080''$



ACCRA-FAB INC.

23201 E. APPLEWAY DRIVE
LIBERTY LAKE, WA 99019
PHONE: (509) 922-3300
FAX: (509) 892-5984



TOOL TYPE: CLUSTER

WILSON TOOL NUMBER: 167859-10

MATERIAL TYPE: ALL

MATERIAL THICKNESS: .060" - .080"



ACCRA-FAB INC.

23201 E. APPLEWAY DRIVE
LIBERTY LAKE, WA 99019
PHONE: (509) 922-3300
FAX: (509) 892-5984