

TOOL TYPE: 4 WAY RADIUS TOOL (1 1/4" STATION)

WILSON TOOL NUMBER: 82-2274

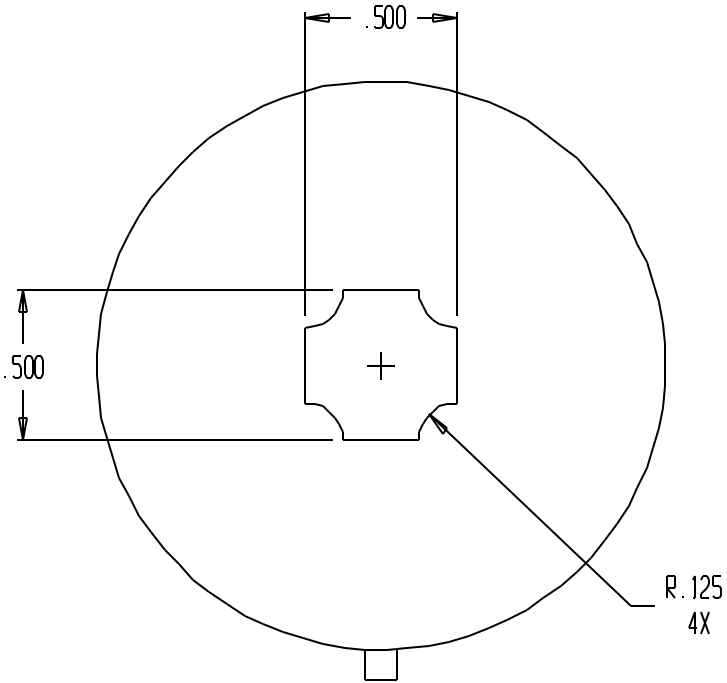
MATERIAL TYPE: ALL

MATERIAL THICKNESS: .020" - .125"



ACCRA-FAB INC.

23201 E. APPLEWAY DRIVE
LIBERTY LAKE, WA 99019
PHONE: (509) 922-3300
FAX: (509) 892-5984



TOOL TYPE: 4 WAY RADIUS TOOL (1 1/4" STATION)

WILSON TOOL NUMBER: 82-2275

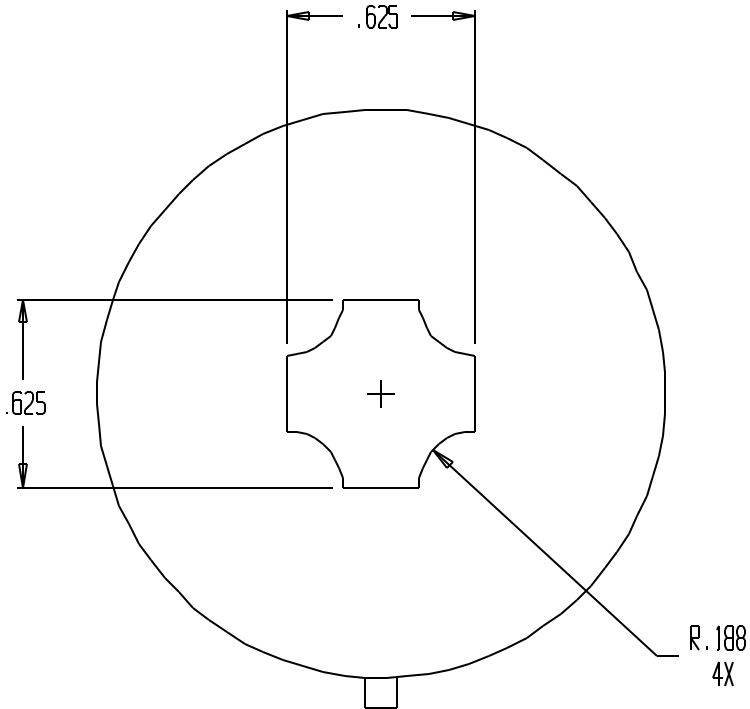
MATERIAL TYPE: ALL

MATERIAL THICKNESS: .020" - .125"



ACCRA-FAB INC.

23201 E. APPLEWAY DRIVE
LIBERTY LAKE, WA 99019
PHONE: (509) 922-3300
FAX: (509) 892-5984



TOOL TYPE: 4 WAY RADIUS TOOL (1 1/4" STATION)

WILSON TOOL NUMBER: 82-2276 & 82-9512

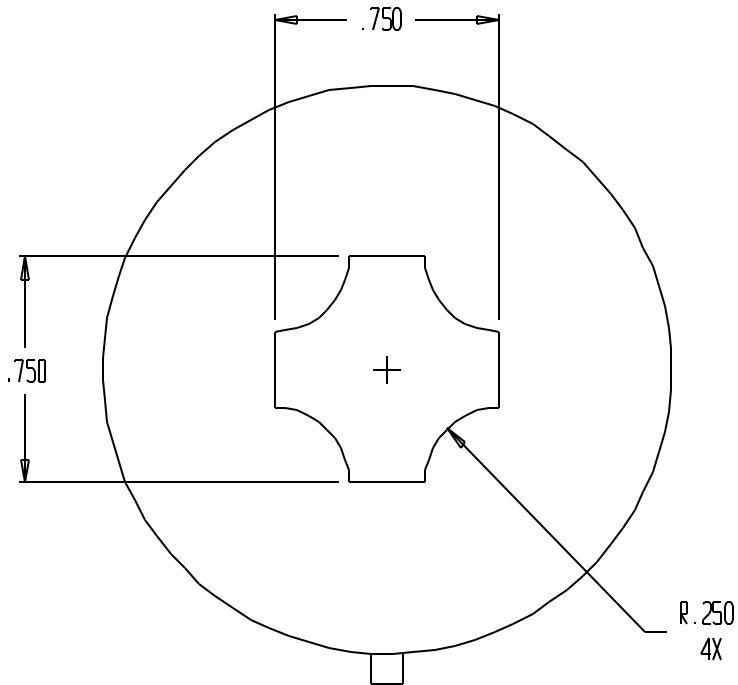
MATERIAL TYPE: ALL

MATERIAL THICKNESS: .020" - .125"



ACCRA-FAB INC.

23201 E. APPLEWAY DRIVE
LIBERTY LAKE, WA 99019
PHONE: (509) 922-3300
FAX: (509) 892-5984



TOOL TYPE: 4 WAY RADIUS (1 1/4" STATION)

WILSON TOOL NUMBER: 82-2277 & 82-2354

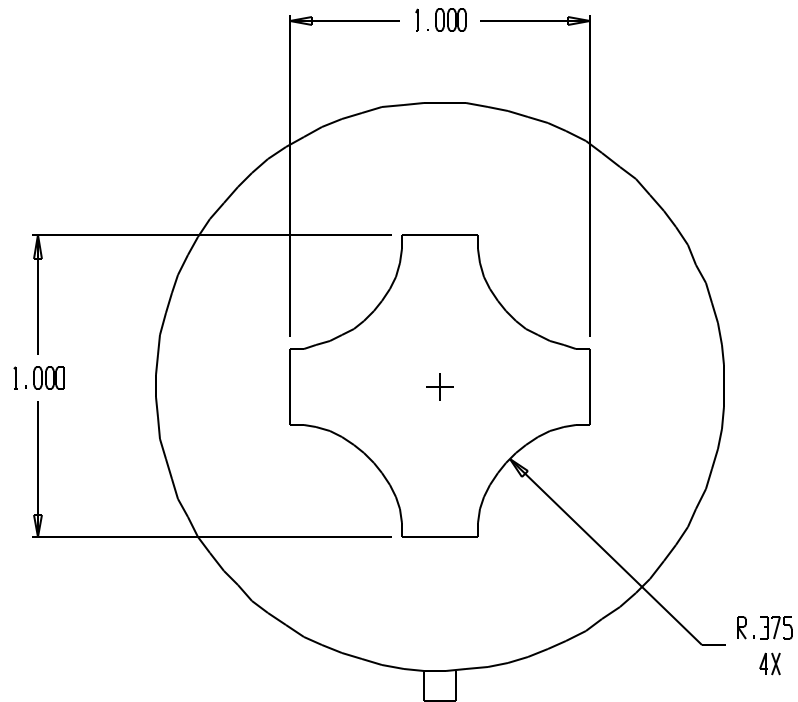
MATERIAL TYPE: ALL

MATERIAL THICKNESS: .020" - .125"



ACCRA-FAB INC.

23201 E. APPLEWAY DRIVE
LIBERTY LAKE, WA 99019
PHONE: (509) 922-3300
FAX: (509) 892-5984



TOOL TYPE: 4 WAY RADIUS (1 1/4" STATION)

WILSON TOOL NUMBER: 82-9509

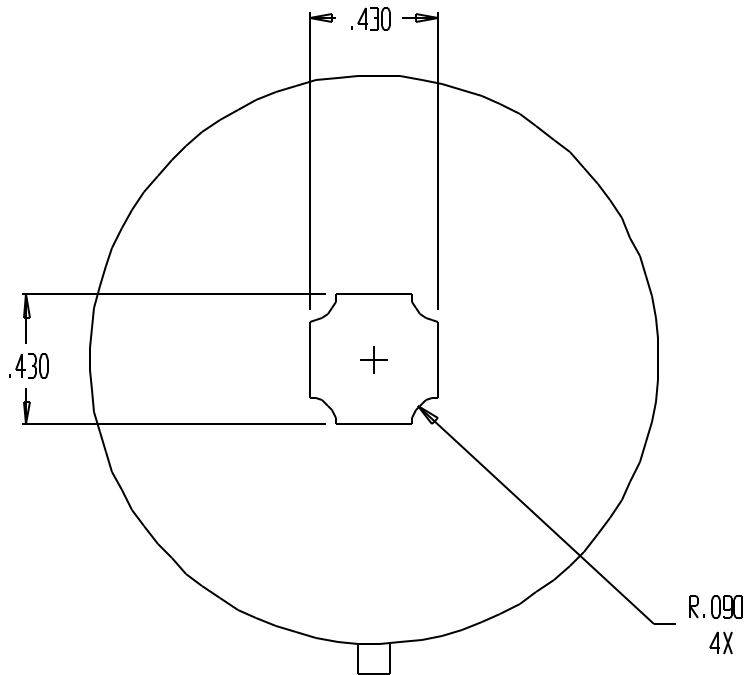
MATERIAL TYPE: ALL

MATERIAL THICKNESS: .020" - .125"



ACCRA-FAB INC.

23201 E. APPLEWAY DRIVE
LIBERTY LAKE, WA 99019
PHONE: (509) 922-3300
FAX: (509) 892-5984



TOOL TYPE: 4 WAY RADIUS TOOL (1/2" & 1 1/4" STATION)

WILSON TOOL NUMBER: 82-9511

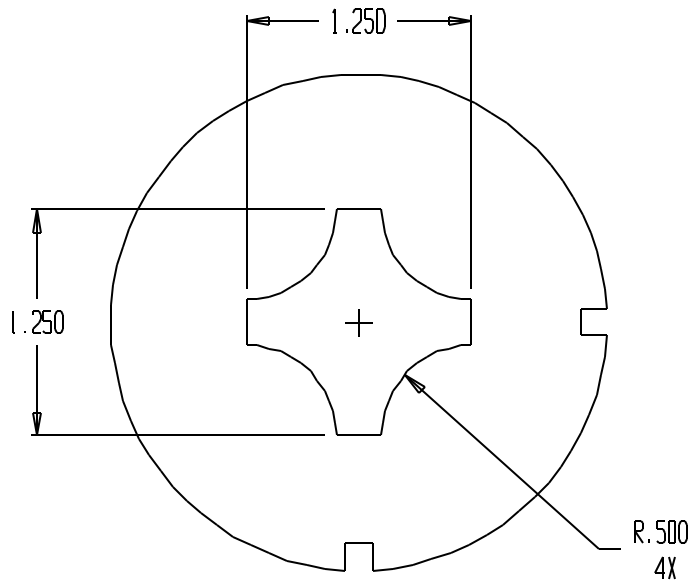
MATERIAL TYPE: ALL

MATERIAL THICKNESS: .020" - .125"



ACCRA-FAB INC.

23201 E. APPLEWAY DRIVE
LIBERTY LAKE, WA 99019
PHONE: (509) 922-3300
FAX: (509) 892-5984



TOOL TYPE: 4 WAY RADIUS (2" STATION)

WILSON TOOL NUMBER: 82-9520

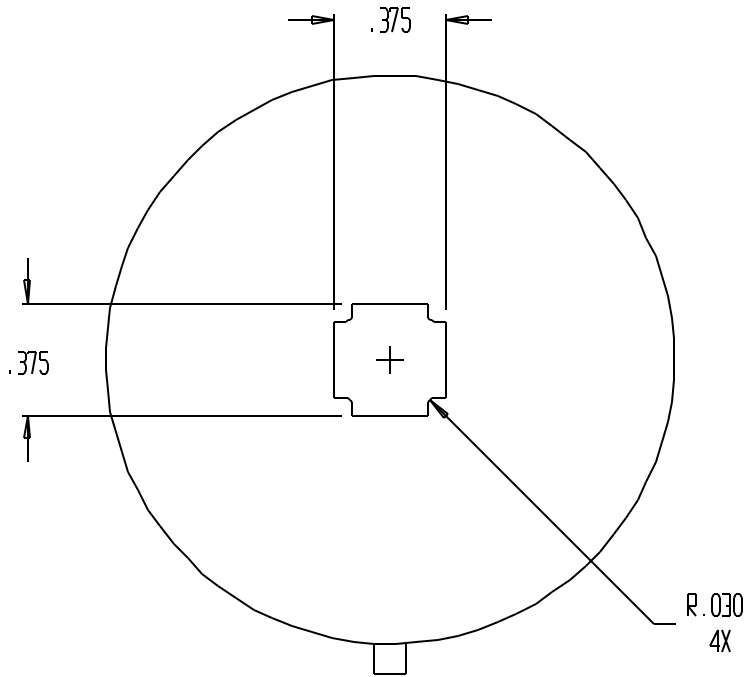
MATERIAL TYPE: ALL

MATERIAL THICKNESS: .020" - .125"



ACCRA-FAB INC.

23201 E. APPLEWAY DRIVE
LIBERTY LAKE, WA 99019
PHONE: (509) 922-3300
FAX: (509) 892-5984



TOOL TYPE: 4 WAT RADIUS (1/2" STATION)

WILSON TOOL NUMBER: 82-9524

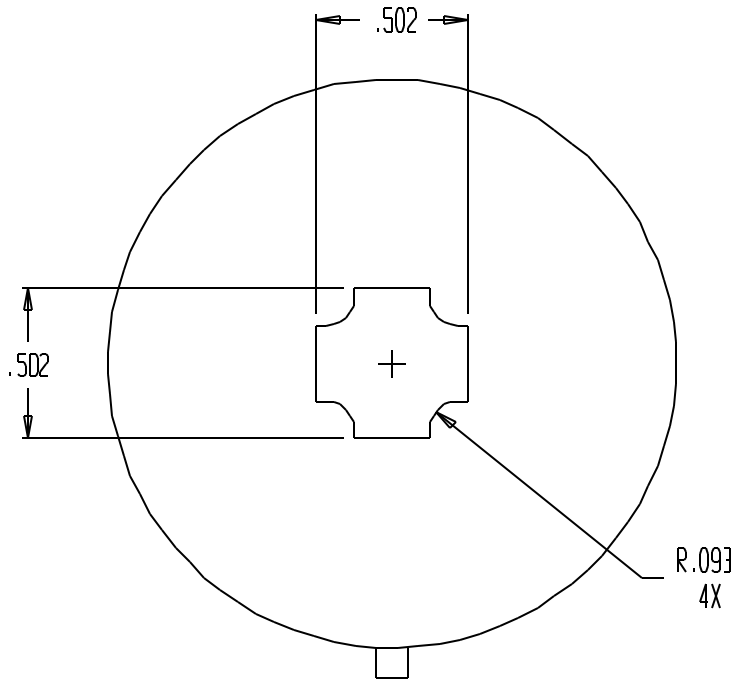
MATERIAL TYPE: ALL

MATERIAL THICKNESS: .020" - .125"



ACCRA-FAB INC.

23201 E. APPLEWAY DRIVE
LIBERTY LAKE, WA 99019
PHONE: (509) 922-3300
FAX: (509) 892-5984



TOOL TYPE: 4 WAY RADIUS TOOL (1 1/4" STATION)

WILSON TOOL NUMBER: 82-9525

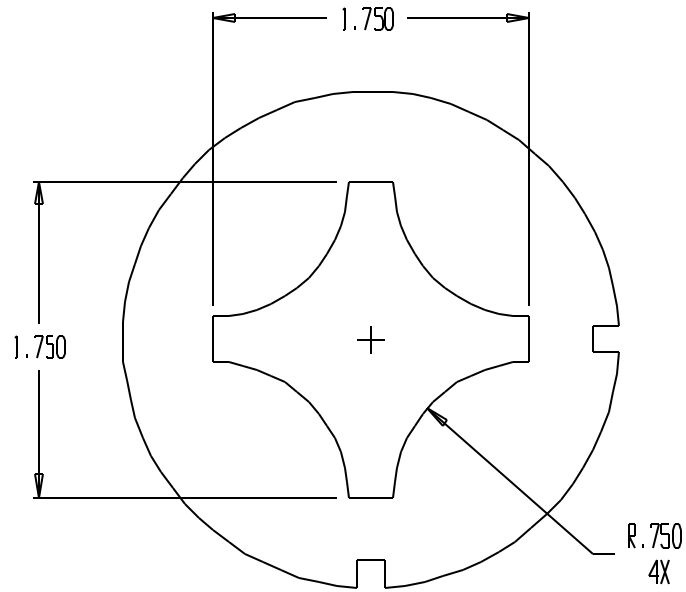
MATERIAL TYPE: ALL

MATERIAL THICKNESS: .020" - .125"



ACCRA-FAB INC.

23201 E. APPLEWAY DRIVE
LIBERTY LAKE, WA 99019
PHONE: (509) 922-3300
FAX: (509) 892-5984



TOOL TYPE: 4 WAY RADIUS (2" STATION)

WILSON TOOL NUMBER: 83-0891

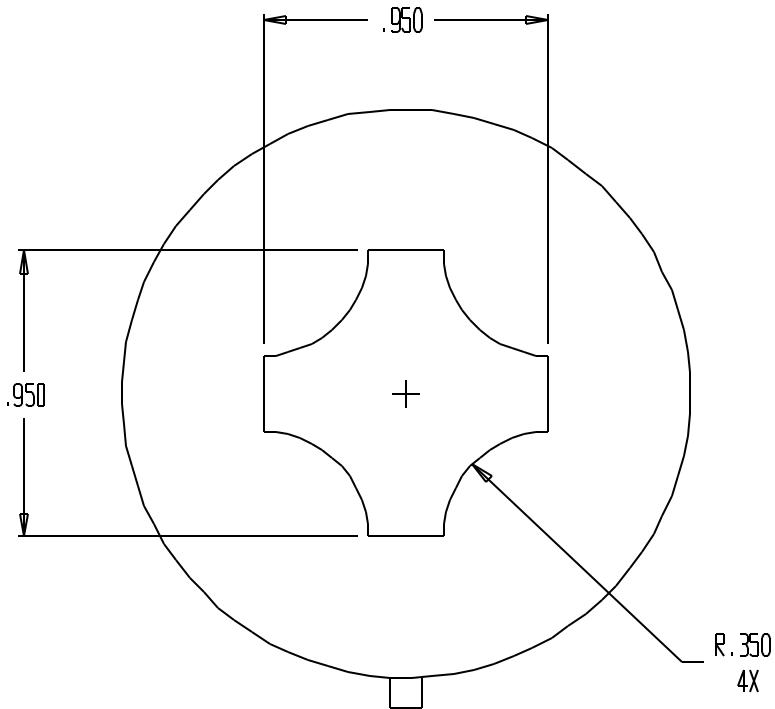
MATERIAL TYPE: ALL

MATERIAL THICKNESS: .020" - .125"



ACCRA-FAB INC.

23201 E. APPLEWAY DRIVE
LIBERTY LAKE, WA 99019
PHONE: (509) 922-3300
FAX: (509) 892-5984



TOOL TYPE: 4 WAY RADIUS (1 1/4" STATION)

WILSON TOOL NUMBER: 83-1442

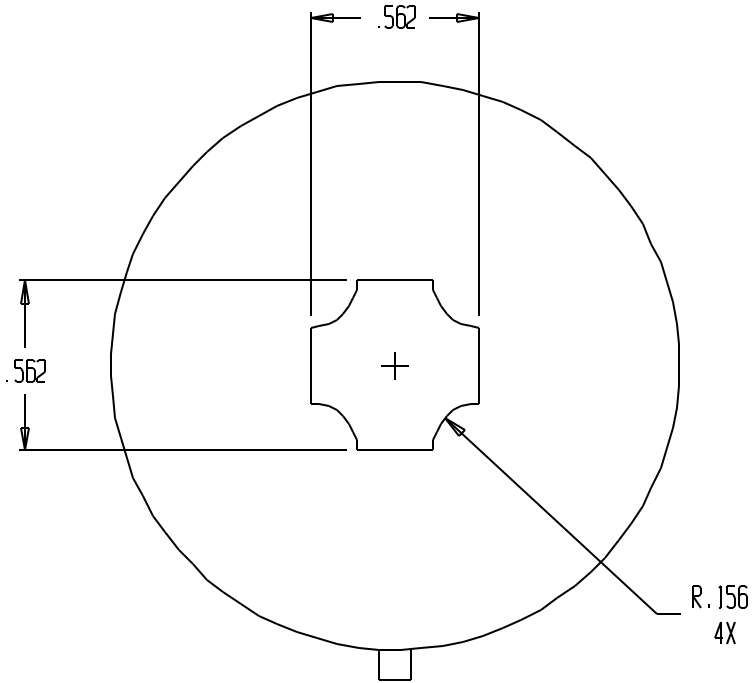
MATERIAL TYPE: ALL

MATERIAL THICKNESS: .020" - .125"



ACCRA-FAB INC.

23201 E. APPLEWAY DRIVE
LIBERTY LAKE, WA 99019
PHONE: (509) 922-3300
FAX: (509) 892-5984



TOOL TYPE: 4 WAY RADIUS TOOL (1 1/4" STATION)

WILSON TOOL NUMBER: 83-1643

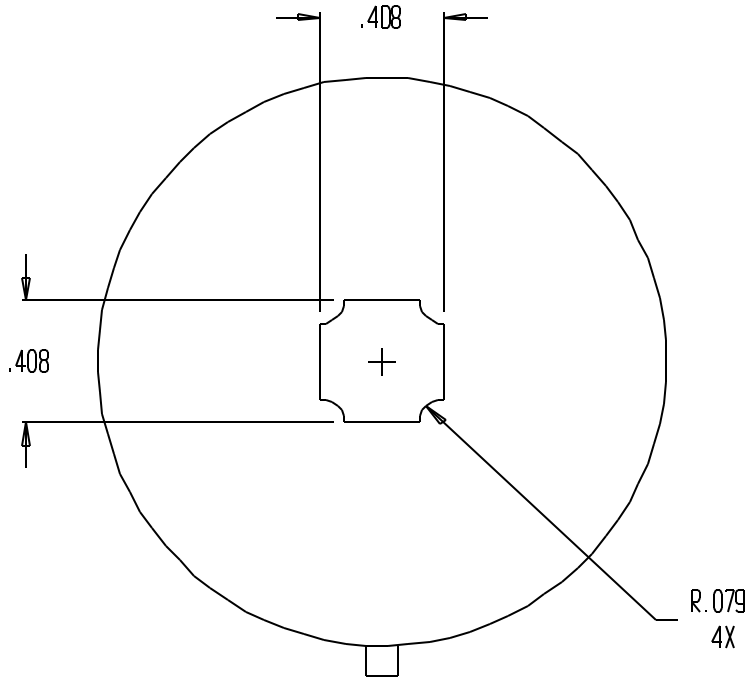
MATERIAL TYPE: ALL

MATERIAL THICKNESS: .020" - .125"



ACCRA-FAB INC.

23201 E. APPLEWAY DRIVE
LIBERTY LAKE, WA 99019
PHONE: (509) 922-3300
FAX: (509) 892-5984



TOOL TYPE: 4 WAY RADIUS TOOL (1/2" STATION)

WILSON TOOL NUMBER: 83-7047 & 82-4542

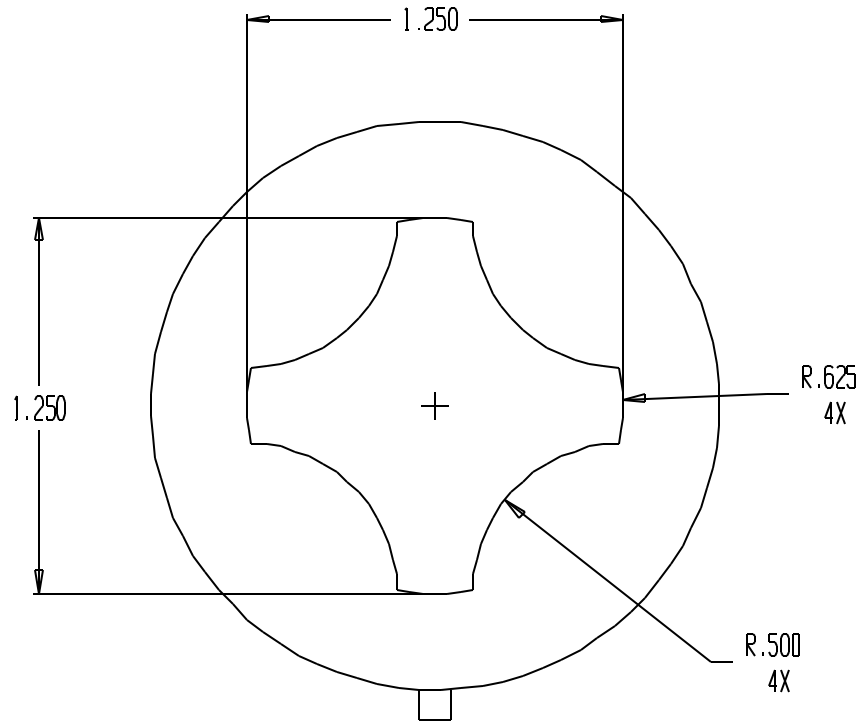
MATERIAL TYPE: ALL

MATERIAL THICKNESS: .020" - .125"



ACCRA-FAB INC.

23201 E. APPLEWAY DRIVE
LIBERTY LAKE, WA 99019
PHONE: (509) 922-3300
FAX: (509) 892-5984



TOOL TYPE: 4 WAY RADIUS (1 1/4 STATION)

WILSON TOOL NUMBER: 92-0800

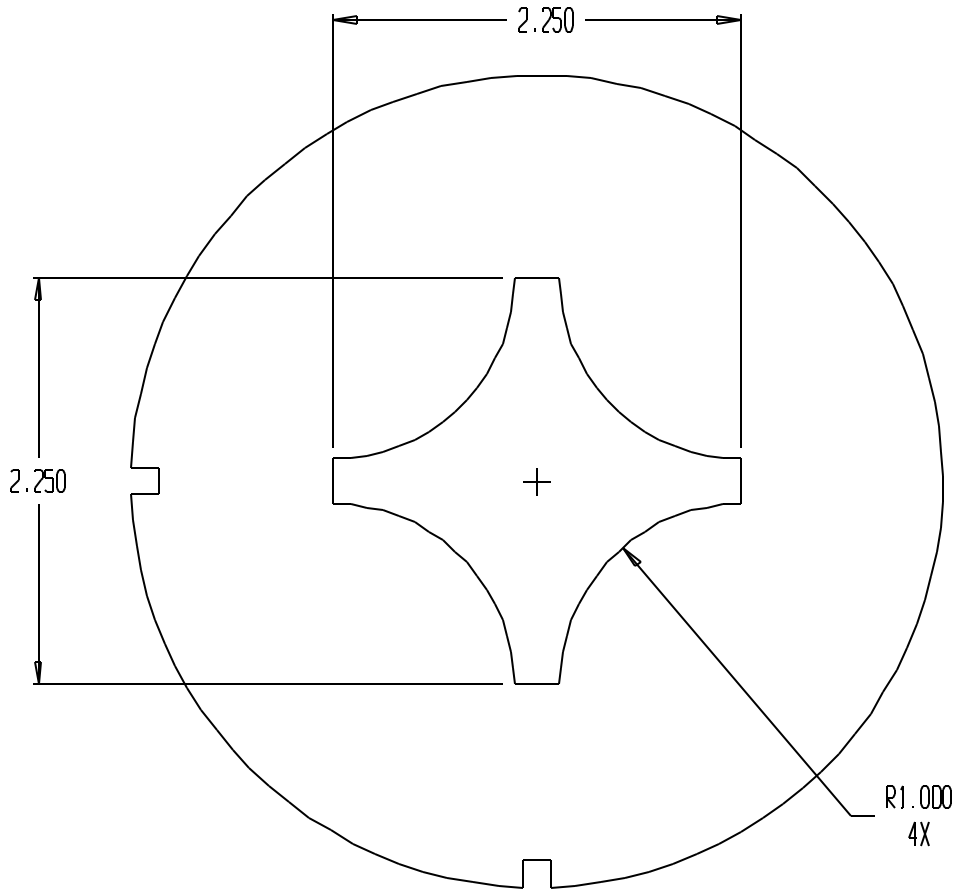
MATERIAL TYPE: ALL

MATERIAL THICKNESS: .020" - .125"



ACCRA-FAB INC.

23201 E. APPLEWAY DRIVE
LIBERTY LAKE, WA 99019
PHONE: (509) 922-3300
FAX: (509) 892-5984



TOOL TYPE: 4 WAY RADIUS (3 1/2" STATION)

WILSON TOOL NUMBER: 92-5950

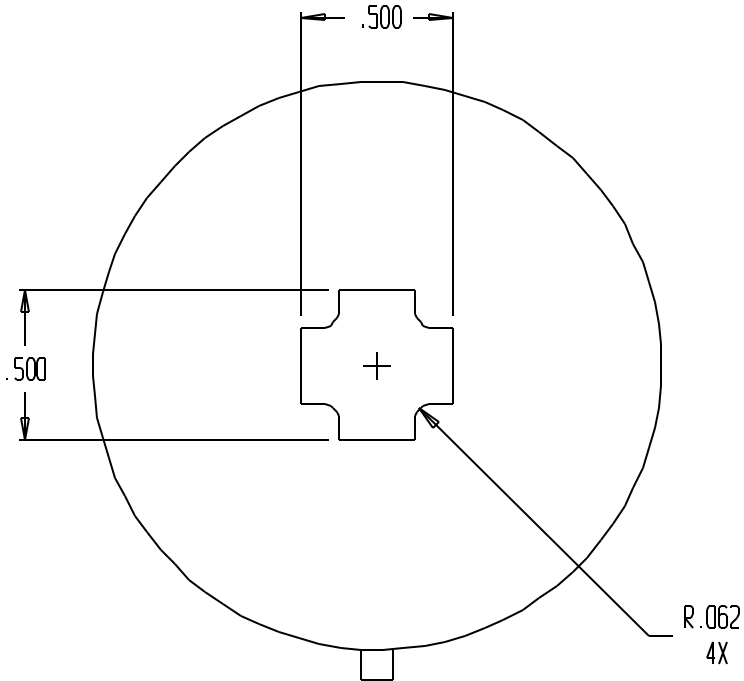
MATERIAL TYPE: ALL

MATERIAL THICKNESS: .020" - .125"



ACCRA-FAB INC.

23201 E. APPLEWAY DRIVE
LIBERTY LAKE, WA 99019
PHONE: (509) 922-3300
FAX: (509) 892-5984



TOOL TYPE: 4 WAY RADIUS TOOL (1 1/4" STATION)

WILSON TOOL NUMBER: 93-0205

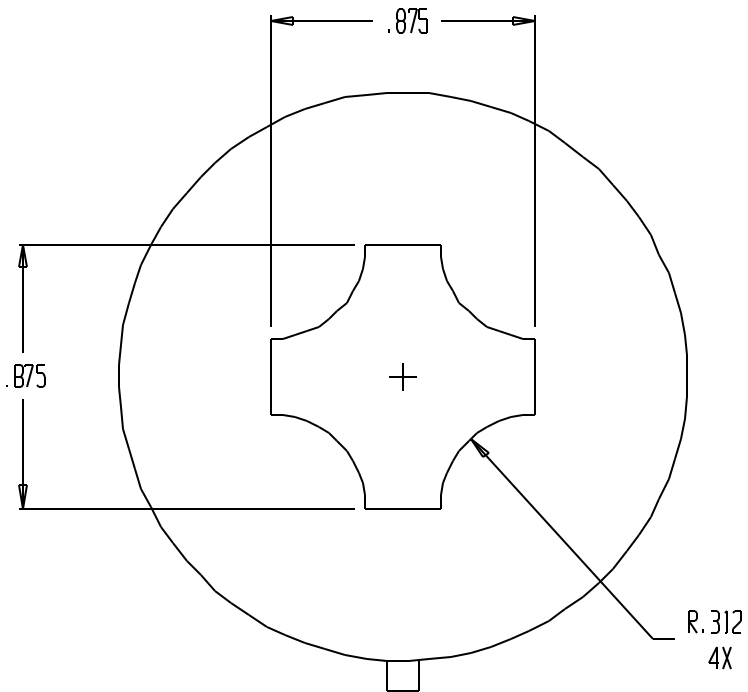
MATERIAL TYPE: ALL

MATERIAL THICKNESS: .020" - .125"



ACCRA-FAB INC.

23201 E. APPLEWAY DRIVE
LIBERTY LAKE, WA 99019
PHONE: (509) 922-3300
FAX: (509) 892-5984



TOOL TYPE: 4 WAY RADIUS (1 1/4" STATION)

WILSON TOOL NUMBER: 93-6507

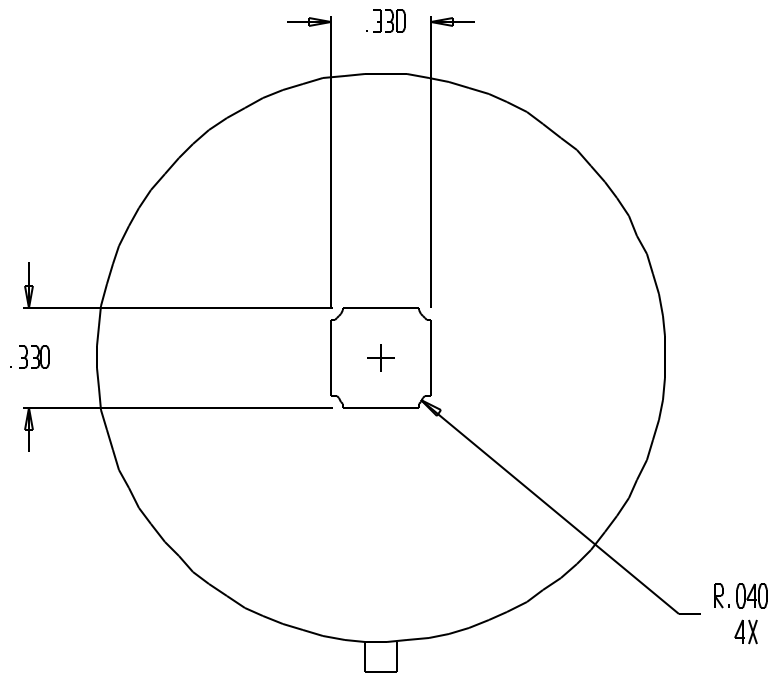
MATERIAL TYPE: ALL

MATERIAL THICKNESS: .020" - .125"



ACCRA-FAB INC.

23201 E. APPLEWAY DRIVE
LIBERTY LAKE, WA 99019
PHONE: (509) 922-3300
FAX: (509) 892-5984



TOOL TYPE: 4 WAY RADIUS TOOL (1 1/4" STATION)

WILSON TOOL NUMBER: 94-3034

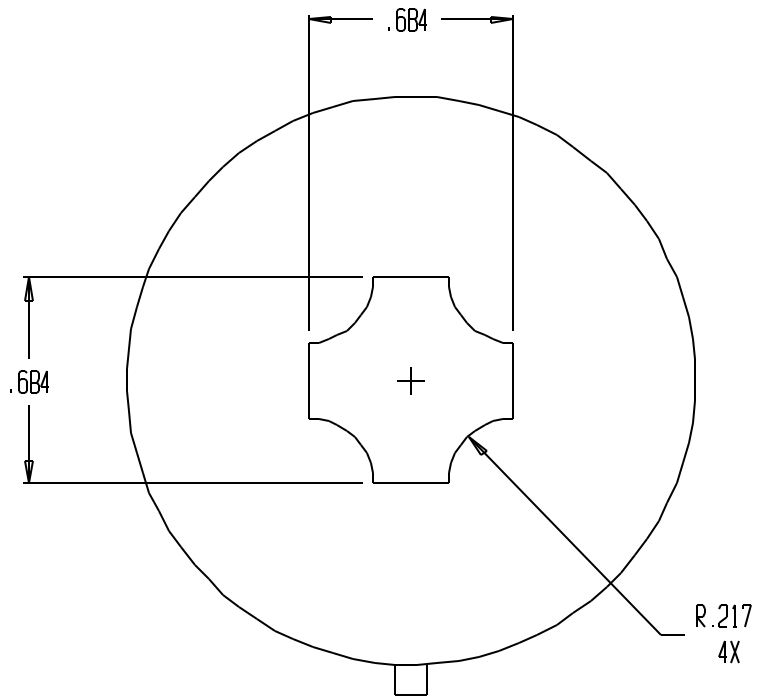
MATERIAL TYPE: ALL

MATERIAL THICKNESS: .020" - .125"



ACCRA-FAB INC.

23201 E. APPLEWAY DRIVE
LIBERTY LAKE, WA 99019
PHONE: (509) 922-3300
FAX: (509) 892-5984



TOOL TYPE: 4 WAY RADIUS TOOL (1 1/4" STATION)

WILSON TOOL NUMBER: 204-0408

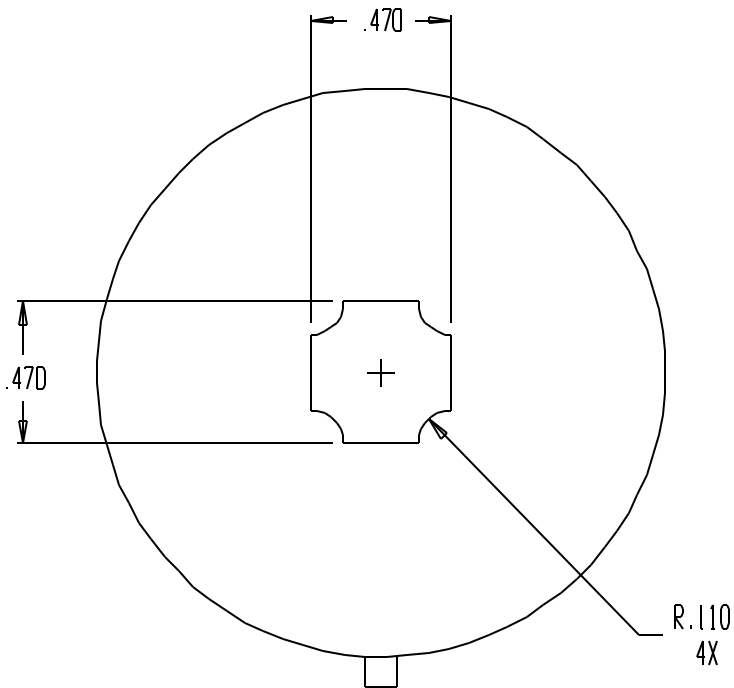
MATERIAL TYPE: ALL

MATERIAL THICKNESS: .020" - .125"



ACCRA-FAB INC.

23201 E. APPLEWAY DRIVE
LIBERTY LAKE, WA 99019
PHONE: (509) 922-3300
FAX: (509) 892-5984



TOOL TYPE: 4 WAY RADIUS TOOL (1 1/4" STATION)

WILSON TOOL NUMBER: 205-4717

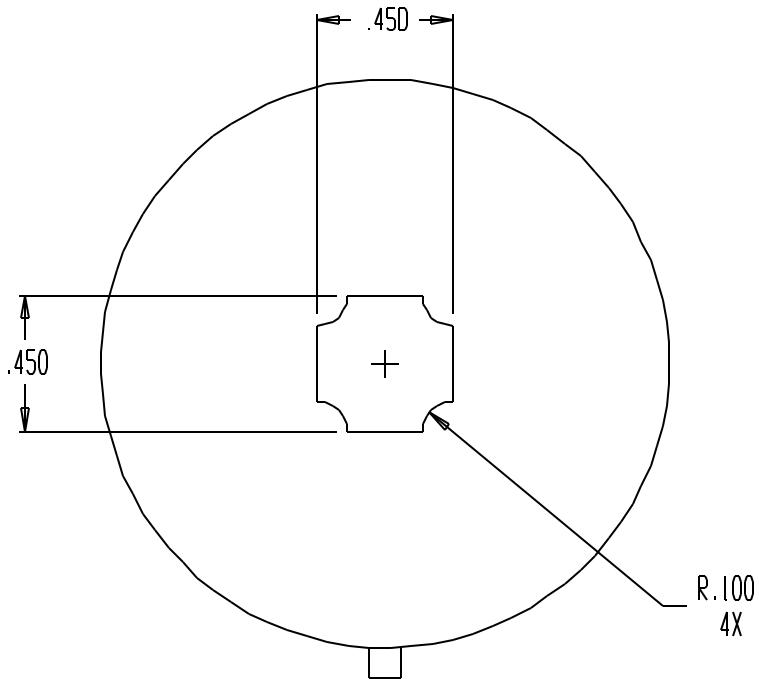
MATERIAL TYPE: ALL

MATERIAL THICKNESS: .020" - .125"



ACCRA-FAB INC.

23201 E. APPLEWAY DRIVE
LIBERTY LAKE, WA 99019
PHONE: (509) 922-3300
FAX: (509) 892-5984



TOOL TYPE: 4 WAY RADIUS TOOL (1 1/4" STATION)

WILSON TOOL NUMBER: 205-8982

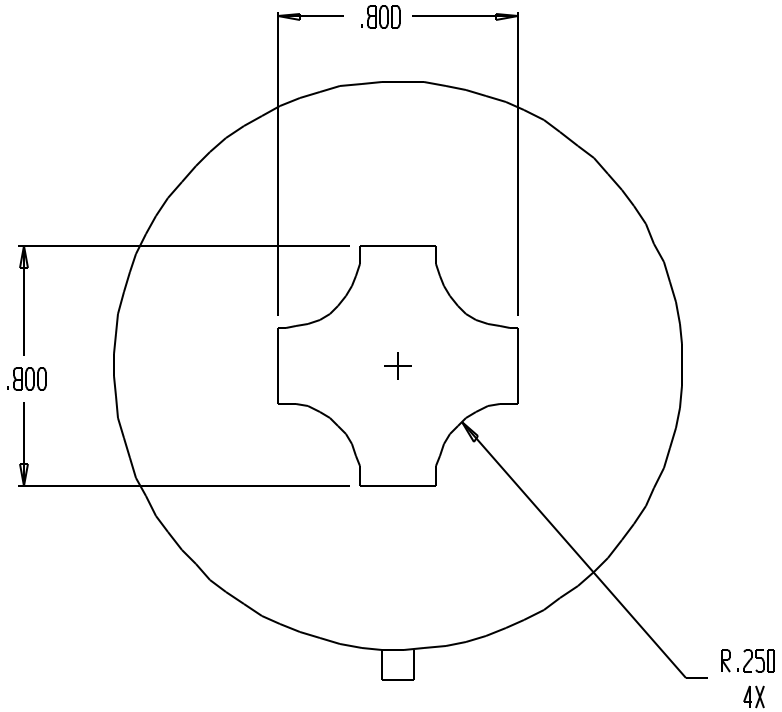
MATERIAL TYPE: ALL

MATERIAL THICKNESS: .020" - .125"



ACCRA-FAB INC.

23201 E. APPLEWAY DRIVE
LIBERTY LAKE, WA 99019
PHONE: (509) 922-3300
FAX: (509) 892-5984



TOOL TYPE: 4 WAY RADIUS (1 1/4" STATION)

WILSON TOOL NUMBER: 206-7205

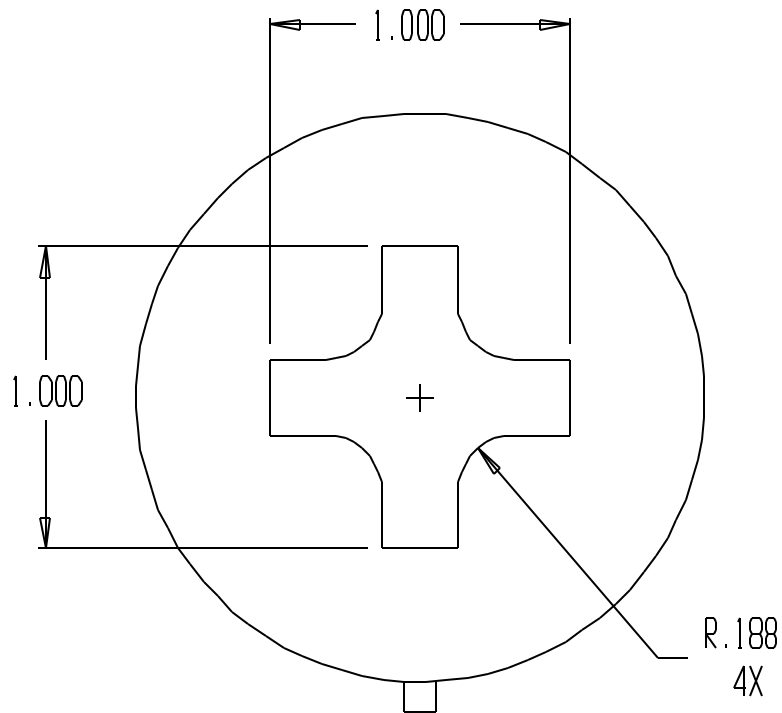
MATERIAL TYPE: ALL

MATERIAL THICKNESS: .020" - .125"



ACCRA-FAB INC.

23201 E. APPLEWAY DRIVE
LIBERTY LAKE, WA 99019
PHONE: (509) 922-3300
FAX: (509) 892-5984



TOOL TYPE: 4 WAY RADIUS TOOL (1 1/4" STATION)

WILSON TOOL NUMBER: 20B-2351

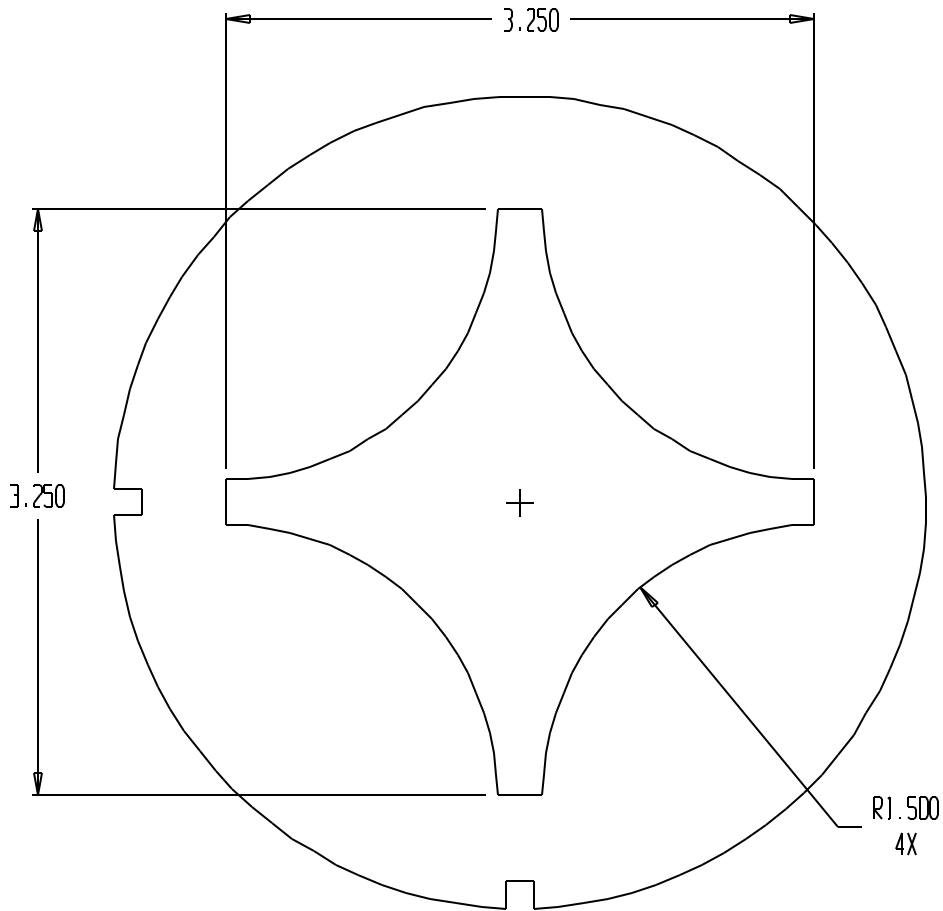
MATERIAL TYPE: ALL

MATERIAL THICKNESS: .020" - .125"



ACCRA-FAB INC.

23201 E. APPLEWAY DRIVE
LIBERTY LAKE, WA 99019
PHONE: (509) 922-3300
FAX: (509) 892-5984



TOOL TYPE: 4 WAY RADIUS (3 1/2" STATION)

WILSON TOOL NUMBER: 210-6457

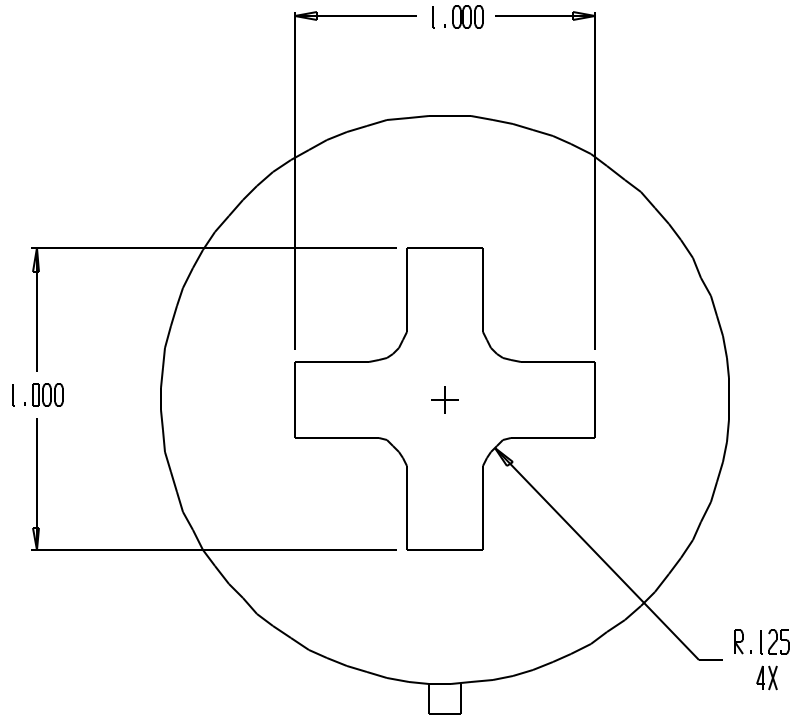
MATERIAL TYPE: ALL

MATERIAL THICKNESS: .020" - .125"



ACCRA-FAB INC.

23201 E. APPLEWAY DRIVE
LIBERTY LAKE, WA 99019
PHONE: (509) 922-3300
FAX: (509) 892-5984



TOOL TYPE: 4 WAY RADIUS TOOL (1 1/4" STATION)

WILSON TOOL NUMBER: 212-1432

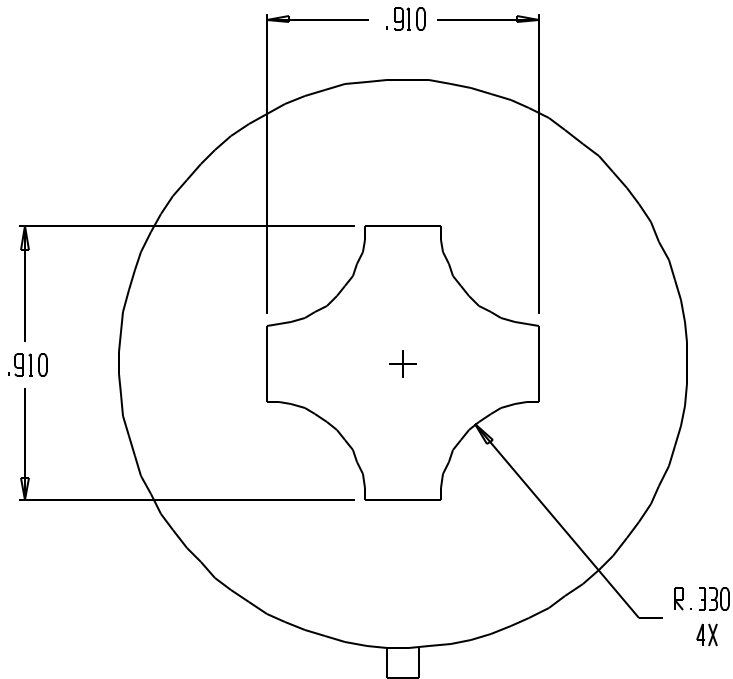
MATERIAL TYPE: ALL

MATERIAL THICKNESS: .020" - .125"



ACCRA-FAB INC.

23201 E. APPLEWAY DRIVE
LIBERTY LAKE, WA 99019
PHONE: (509) 922-3300
FAX: (509) 892-5984



TOOL TYPE: 4 WAY RADIUS (1 1/4" STATION)

WILSON TOOL NUMBER: 214-7198

MATERIAL TYPE: ALL

MATERIAL THICKNESS: .020" - .125"



ACCRA-FAB INC.

23201 E. APPLEWAY DRIVE
LIBERTY LAKE, WA 99019
PHONE: (509) 922-3300
FAX: (509) 892-5984